

High-bandwidth Digital Content Protection System

Mapping HDCP to WirelessHD

Revision 2.0

18 February, 2010

Notice

THIS DOCUMENT IS PROVIDED "AS IS" WITH NO WARRANTIES WHATSOEVER, INCLUDING ANY WARRANTY OF MERCHANTABILITY, NONINFRINGEMENT, FITNESS FOR ANY PARTICULAR PURPOSE, OR ANY WARRANTY OTHERWISE ARISING OUT OF ANY PROPOSAL, SPECIFICATION OR SAMPLE. Intel Corporation disclaims all liability, including liability for infringement of any proprietary rights, relating to use of information in this specification. No license, express or implied, by estoppel or otherwise, to any intellectual property rights is granted herein.

The cryptographic functions described in this specification may be subject to export control by the United States, Japanese, and/or other governments.

Copyright © 1999-2010 by Intel Corporation. Third-party brands and names are the property of their respective owners.

Acknowledgement

SiBeam, Inc. has contributed to the development of this specification.

Intellectual Property

Implementation of this specification requires a license from the Digital Content Protection LLC.

Contact Information

Digital Content Protection LLC
C/O Vital Technical Marketing, Inc.
3855 SW 153rd Drive
Beaverton, OR 97006

Email: info@digital-cp.com

Web: www.digital-cp.com

Revision History

1	Introduction.....	5
1.1	Scope.....	5
1.2	Definitions.....	5
1.3	Overview.....	8
1.4	Terminology.....	9
1.5	References.....	9
2	Authentication Protocol.....	10
2.1	Overview.....	10
2.2	Authentication and Key Exchange.....	11
2.2.1	Pairing.....	14
2.3	Locality Check.....	15
2.4	Session Key Exchange.....	16
2.5	Authentication with Repeaters.....	17
2.6	Link Synchronization.....	21
2.7	Authentication Failures.....	21
2.8	Key Derivation.....	22
2.9	HDCP Transmitter State Diagram.....	22
2.9.1	Main HDCP Transmitter Function.....	26
2.10	HDCP Receiver State Diagram.....	28
2.11	HDCP Repeater State Diagrams.....	29
2.11.1	Propagation of Topology Errors and Receiver Connected / Disconnected Indication.....	30
2.11.2	HDCP Repeater Downstream State Diagram.....	31
2.11.3	HDCP Repeater Upstream State Diagram.....	34
2.12	Converters.....	37
2.12.1	HDCP 2 – HDCP 1.x Converters.....	37
2.12.2	HDCP 1.x – HDCP 2 Converters.....	38
2.13	Session Key Validity.....	38
2.14	Random Number Generation.....	39
3	HDCP Encryption.....	40
3.1	Description.....	40
3.2	AV Stream.....	40
3.3	Abbreviations.....	40
3.4	HDCP Cipher.....	40
3.5	Uniqueness of k_s and r_{iv}	42
4	Authentication Protocol Messages.....	44
4.1	HDCP Control / Status Stream in WirelessHD.....	44
4.2	Message Format.....	44
4.2.1	AKE_Init (Transmitter to Receiver).....	44
4.2.2	AKE_Send_Cert (Receiver to Transmitter).....	45
4.2.3	AKE_No_Stored_km (Transmitter to Receiver).....	45
4.2.4	AKE_Stored_km (Transmitter to Receiver).....	45
4.2.5	AKE_Send_rrx (Receiver to Transmitter).....	45
4.2.6	AKE_Send_H_prime (Receiver to Transmitter).....	45
4.2.7	AKE_Send_Pairing_Info (Receiver to Transmitter).....	46
4.2.8	LC_Init (Transmitter to Receiver).....	46
4.2.9	RTT_Ready (Receiver ready for RTT challenge).....	46
4.2.10	RTT_Challenge (Transmitter to Receiver).....	46
4.2.11	RTT_Response (Receiver to Transmitter).....	46
4.2.12	SKE_Send_Eks (Transmitter to Receiver).....	47
4.2.13	RepeaterAuth_Send_ReceiverID_List (Receiver to Transmitter).....	47
5	Renewability.....	48

5.1	SRM Size and Scalability.....	49
5.2	Updating SRMs.....	50
Appendix A.	Confidentiality and Integrity of Values	52
Appendix B.	DCP LLC Public Key	54
Appendix C.	Bibliography (Informative)	55
Appendix D.	Test Vectors	56

1 Introduction

1.1 Scope

This specification describes a WirelessHD mapping of the High-bandwidth Digital Content Protection (HDCP) system, Revision 2.00. This specification is to be applied on implementations of the WirelessHD™ interface as explained in subsequent chapters.

In an HDCP System, two or more HDCP Devices are interconnected through an HDCP-protected Interface. The Audiovisual Content flows from the Upstream Content Control Function into the HDCP System at the most upstream HDCP Transmitter. From there the Audiovisual Content encrypted by the HDCP System, referred to as HDCP Content, flows through a tree-shaped topology of HDCP Receivers over HDCP-protected Interfaces. This specification describes a content protection mechanism for: (1) authentication of HDCP Receivers to their immediate upstream connection (i.e., an HDCP Transmitter), (2) revocation of HDCP Receivers that are determined by the Digital Content Protection, LLC, to be invalid, and (3) HDCP Encryption of Audiovisual Content over the HDCP-protected Interfaces between HDCP Transmitters and their downstream HDCP Receivers. HDCP Receivers may render the HDCP Content in audio and visual form for human consumption. HDCP Receivers may be HDCP Repeaters that serve as downstream HDCP Transmitters emitting the HDCP Content further downstream to one or more additional HDCP Receivers.

Unless otherwise specified, the term “HDCP Receiver” is also used to refer to the upstream HDCP-protected interface port of an HDCP Repeater. Similarly, the term “HDCP Transmitter” is also used to refer to the downstream HDCP-protected interface port of an HDCP Repeater

Except when specified otherwise, HDCP 2.0-compliant Devices must interoperate with other HDCP 2.0-compliant Devices connected to their HDCP-protected Interface Ports using the same protocol. HDCP Transmitters must support HDCP Repeaters.

The state machines in this specification define the required behavior of HDCP Devices. The link-visible behavior of HDCP Devices implementing the specified state machines must be identical, even if implementations differ from the descriptions. The behavior of HDCP Devices implementing the specified state machines must also be identical from the perspective of an entity outside of the HDCP System.

Implementations must include all elements of the content protection system described herein, unless the element is specifically identified as informative or optional. Adopters must also ensure that implementations satisfy the robustness and compliance rules described in the technology license. Additionally, HDCP Transmitters may be subject to additional robustness and compliance rules associated with other content protection technologies.

Device discovery and association, and link setup and teardown, is outside the scope of this specification.

1.2 Definitions

The following terminology, as used throughout this specification, is defined as herein:

Audiovisual Content. Audiovisual works (as defined in the United States Copyright Act as in effect on January 1, 1978), text and graphic images, are referred to as *AudioVisual Content*.

Authorized Device. An HDCP Device that is permitted access to HDCP Content is referred to as an *Authorized Device*. An HDCP Transmitter may test if a connected HDCP Receiver is an Authorized Device by successfully completing the following stages of the authentication protocol – Authentication and Key Exchange (AKE) and Locality check. If the authentication protocol

successfully results in establishing authentication, then the other device is considered by the HDCP Transmitter to be an Authorized Device.

Device Key Set. An HDCP Receiver has a Device Key Set, which consists of its corresponding Device Secret Keys along with the associated Public Key Certificate.

Device Secret Keys. For an HDCP Transmitter, Device Secret Key consists of the secret global constant. For an HDCP Receiver, Device Secret Keys consists of the secret global constant and the RSA private key. The Device Secret Keys are to be protected from exposure outside of the HDCP Device.

downstream. The term, *downstream*, is used as an adjective to refer to being towards the sink of the HDCP Content stream. For example, when an HDCP Transmitter and an HDCP Receiver are connected over an HDCP-protected Interface, the HDCP Receiver can be referred to as the *downstream* HDCP Device in this connection. For another example, on an HDCP Repeater, the HDCP-protected Interface Port(s) which can emit HDCP Content can be referred to as its *downstream* HDCP-protected Interface Port(s). See also, *upstream*.

Global Constant. A 128-bit random, secret constant provided only to HDCP Adopters and used during HDCP Content encryption or decryption

HDCP 1.x. *HDCP 1.x* refers to, specifically, the variant of HDCP described by Revision 1.00 (referred to as HDCP 1.0), Revision 1.10 (referred to as HDCP 1.1), Revision 1.20 (referred to as HDCP 1.2) and Revision 1.30 (referred to as HDCP 1.3) along with their associated errata, if applicable.

HDCP 1.x-compliant Device. An HDCP Device that is designed in adherence to HDCP 1.x, defined above, is referred to as an *HDCP 1.x-compliant Device*.

HDCP 2. *HDCP 2* refers to, specifically, the variant of HDCP mapping for all HDCP protected interfaces described by Revision 2.00 and higher versions along with their associated errata, if applicable.

HDCP 2.0. *HDCP 2.0* refers to, specifically, the variant of HDCP mapping described by Revision 2.00 of this specification along with its associated errata, if applicable.

HDCP 2.0-compliant Device. An HDCP Device that is designed in adherence to HDCP 2.0 is referred to as an *HDCP 2.0-compliant Device*.

HDCP Content. *HDCP Content* consists of Audiovisual Content that is protected by the HDCP System. *HDCP Content* includes the Audiovisual Content in encrypted form as it is transferred from an HDCP Transmitter to an HDCP Receiver over an HDCP-protected Interface, as well as any translations of the same content, or portions thereof. For avoidance of doubt, Audiovisual Content that is never encrypted by the HDCP System is not *HDCP Content*.

HDCP Device. Any device that contains one or more HDCP-protected Interface Port and is designed in adherence to HDCP is referred to as an *HDCP Device*.

HDCP Encryption. *HDCP Encryption* is the encryption technology of HDCP when applied to the protection of HDCP Content in an HDCP System.

HDCP Receiver. An HDCP Device that can receive and decrypt HDCP Content through one or more of its HDCP-protected Interface Ports is referred to as an *HDCP Receiver*.

HDCP Repeater. An HDCP Device that can receive and decrypt HDCP Content through one or more of its HDCP-protected Interface Ports, and can also re-encrypt and emit said HDCP Content

through one or more of its HDCP-protected Interface Ports, is referred to as an *HDCP Repeater*. An *HDCP Repeater* may also be referred to as either an HDCP Receiver or an HDCP Transmitter when referring to either the upstream side or the downstream side, respectively.

HDCP System. An *HDCP System* consists of an HDCP Transmitter, zero or more HDCP Repeaters and one or more HDCP Receivers connected through their HDCP-protected interfaces in a tree topology; whereas the said HDCP Transmitter is the HDCP Device most upstream, and receives the Audiovisual Content from one or more Upstream Content Control Functions. All HDCP Devices connected to other HDCP Devices in an *HDCP System* over HDCP-protected Interfaces are part of the *HDCP System*.

HDCP Transmitter. An HDCP Device that can encrypt and emit HDCP Content through one or more of its HDCP-protected Interface Ports is referred to as an *HDCP Transmitter*.

HDCP. *HDCP* is an acronym for High-bandwidth Digital Content Protection. This term refers to this content protection system as described by any revision of this specification and its errata.

HDCP-protected Interface Port. A logical connection point on an HDCP Device that supports an HDCP-protected Interface is referred to as an *HDCP-protected Interface Port*. A single connection can be made over an HDCP-protected interface port.

HDCP-protected Interface. An interface for which HDCP applies is described as an *HDCP-protected Interface*.

Public Key Certificate. Each HDCP Receiver is issued a Public Key Certificate signed by DCP LLC, and contains the Receiver ID and RSA public key corresponding to the HDCP Receiver.

RX_Connected. An indication to the HDCP Transmitter that an active receiver has been connected to it. The format of the indication or the method used by the HDCP Transmitter to connect to or disconnect from a receiver is outside the scope of this specification.

RX_Disconnected. An indication to the HDCP Transmitter that the receiver has been disconnected from it. The format of the indication or the method used by the HDCP Transmitter to connect to or disconnect from a receiver is outside the scope of this specification.

Receiver ID. A 40-bit value that uniquely identifies the HDCP Receiver. It has the same format as an HDCP 1.x KSV i.e. it contains 20 ones and 20 zeroes.

Upstream Content Control Function. The HDCP Transmitter most upstream in the HDCP System receives Audiovisual Content to be protected from the *Upstream Content Control Function*. An instance of the *Upstream Content Control Function* transmits a content stream to the HDCP Transmitter. The *Upstream Content Control Function* is not part of the HDCP System, and the methods used, if any, by the *Upstream Content Control Function* to determine for itself the HDCP System is correctly authenticated or permitted to receive the Audiovisual Content, or to transfer the Audiovisual Content to the HDCP System, are beyond the scope of this specification. On a personal computer platform, an example of an *Upstream Content Control Function* may be software designed to emit Audiovisual Content to a display or other presentation device that requires HDCP.

upstream. The term, *upstream*, is used as an adjective to refer to being towards the source of the HDCP Content stream. For example, when an HDCP Transmitter and an HDCP Receiver are connected over an HDCP-protected Interface, the HDCP Transmitter can be referred to as the *upstream* HDCP Device in this connection. For another example, on an HDCP Repeater, the HDCP-protected Interface Port(s) which can receive HDCP Content can be referred to as its *upstream* HDCP-protected Interface Port(s). See also, *downstream*.

1.3 Overview

HDCP is designed to protect the transmission of Audiovisual Content between an HDCP Transmitter and an HDCP Receiver. The HDCP Transmitter may support simultaneous connections to HDCP Receivers through one or more of its HDCP-protected interface ports. The system also allows for HDCP Repeaters that support downstream HDCP-protected Interface Ports. The HDCP System places the following constraints on the number of HDCP Devices and levels of HDCP Repeaters in the topology.

1. Up to four levels of HDCP Repeaters and as many as 32 total HDCP Devices, including HDCP Repeaters, are allowed to be connected to an HDCP-protected Interface port; and
2. An instance of an Upstream Content Control Function transmits a content stream to the HDCP Transmitter. For every such content stream received and encrypted by the HDCP System, the HDCP Transmitter is allowed to transmit the generated HDCP Content stream to up to four levels of HDCP Repeaters and as many as 32 total HDCP Devices, including HDCP Repeaters.

Figure 1.1 illustrates an example connection topology for HDCP Devices.

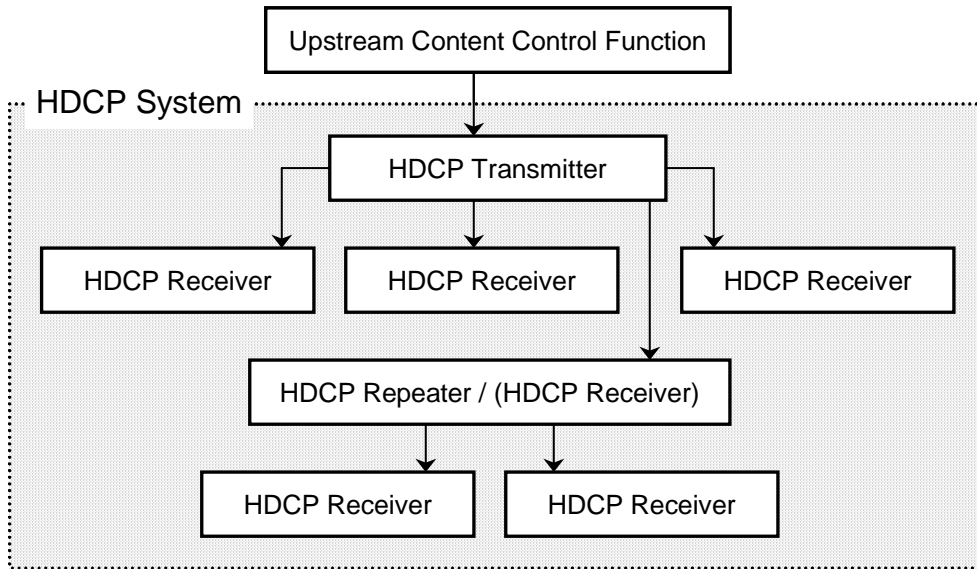


Figure 1.1. Sample Connection Topology of an HDCP System

There are three elements of the content protection system. Each element plays a specific role in the system. First, there is the authentication protocol, through which the HDCP Transmitter verifies that a given HDCP Receiver is licensed to receive HDCP Content. The authentication protocol is implemented between the HDCP Transmitter and its corresponding downstream HDCP Receiver. With the legitimacy of the HDCP Receiver determined, encrypted HDCP Content is transmitted between the two devices based on shared secrets established during the authentication protocol. This prevents eavesdropping devices from utilizing the content. Finally, in the event that legitimate devices are compromised to permit unauthorized use of HDCP Content, renewability allows an HDCP Transmitter to identify such compromised devices and prevent the transmission of HDCP Content.

This document contains chapters describing in detail the requirements of each of these elements. In addition, a chapter is devoted to describing the cipher structure that is used in the encryption of HDCP Content.

1.4 Terminology

Throughout this specification, names that appear in *italic* refer to values that are exchanged during the HDCP cryptographic protocol. C-style notation is used throughout the state diagrams and protocol diagrams, although the logic functions AND, OR, and XOR are written out where a textual description would be more clear.

This specification uses the big-endian notation to represent bit strings so that the most significant bit in the representation is stored in the left-most bit position. The concatenation operator “ \parallel ” combines two values into one. For eight-bit values a and b , the result of $(a \parallel b)$ is a 16-bit value, with the value a in the most significant eight bits and b in the least significant eight bits.

1.5 References

- [1]. Digital Content Protection (DCP) LLC, High-bandwidth Digital Content Protection System, Revision 1.3, December 21, 2006.
- [2]. Digital Content Protection (DCP) LLC, HDCP Specification 1.3 – Amendment for DisplayPort, Revision 1.0, December 19, 2006.
- [3]. WirelessHD Specification, Revision 1.1.
- [4]. National Institute of Standards and Technology (NIST), *Advanced Encryption Standard (AES)*, FIPS Publication 197, November 26, 2001.
- [5]. RSA Laboratories, *RSA Cryptography Standard*, PKCS #1 v2.1, June 14, 2002.
- [6]. National Institute of Standards and Technology (NIST), *Secure Hash Standard (SHS)*, FIPS Publication 180-2, August 1, 2002.
- [7]. Internet Engineering Task Force (IETF), *HMAC: Keyed-Hashing for Message Authentication*, Request for Comments (RFC) 2104, February 1997.
- [8]. National Institute of Standards and Technology (NIST), *Recommendation for Random Number Generation Using Deterministic Random Bit Generators*, Special Publication 800-90, March 2007.

2 Authentication Protocol

2.1 Overview

The HDCP Authentication protocol is an exchange between an HDCP Transmitter and an HDCP Receiver that affirms to the HDCP Transmitter that the HDCP Receiver is authorized to receive HDCP Content. It is comprised of the following stages

- Authentication and Key Exchange (AKE) – The HDCP Receiver’s public key certificate is verified by the HDCP Transmitter. A master key k_m is exchanged.
- Locality Check – The HDCP Transmitter enforces locality on the content by requiring that the Round Trip Time (RTT) between a pair of messages is not more than 1 ms.
- Session Key Exchange (SKE) – The HDCP Transmitter exchanges session key k_s with the HDCP Receiver.
- Authentication with Repeaters – The step is performed by the HDCP Transmitter only with HDCP Repeaters. In this step, the repeater assembles downstream topology information and forwards it to the upstream HDCP Transmitter.

Successful completion of AKE and locality check stages affirms to the HDCP Transmitter that the HDCP Receiver is authorized to receive HDCP Content. At the end of the authentication protocol, a communication path is established between the HDCP Transmitter and HDCP Receiver that only Authorized Devices can access.

All HDCP Devices contain a 128-bit secret global constant denoted by lc_{128} . All HDCP Devices share the same global constant. lc_{128} is provided only to HDCP Adopters.

The HDCP Transmitter contains the 3072-bit RSA public key of DCP LLC denoted by $kpub_{dcp}$.

The HDCP Receiver is issued 1024-bit RSA public and private keys. The public key is stored in a Public Key Certificate issued by DCP LLC, denoted by $cert_{rx}$. Table 2.1 gives the fields contained in the certificate. All values are stored in big-endian format.

Name	Size (bits)	Bit position	Function
Receiver ID	40	4175:4136	Unique receiver identifier. It has the same format as an HDCP 1.x KSV i.e. it contains 20 ones and 20 zeroes
Receiver Public Key	1048	4135:3088	Unique RSA public key of HDCP Receiver denoted by $kpub_{rx}$. The first 1024 bits is the big-endian representation of the modulus n and the trailing 24 bits is the big-endian representation of the public exponent e
Reserved	16	3087:3072	Reserved for future definition. Must be 0x0000
DCP LLC Signature	3072	3071:0	A cryptographic signature calculated over all preceding fields of the certificate. RSASSA-PKCS1-v1_5 is the signature scheme used as defined by PKCS #1 V2.1: RSA Cryptography Standard. SHA-256 is the underlying hash function

Table 2.1. Public Key Certificate of HDCP Receiver

The secret RSA private key is denoted by $kpriv_{rx}$. The computation time of RSA private key operation can be reduced by using the Chinese Remainder Theorem (CRT) technique. Therefore, it is recommended that HDCP Receivers use the CRT technique for private key computations.

2.2 Authentication and Key Exchange

Authentication and Key Exchange (AKE) is the first step in the authentication protocol. Figure 2.1 and Figure 2.2 illustrates the AKE. The HDCP Transmitter (*Device A*) can initiate authentication at any time, even before a previous authentication exchange has completed. The HDCP Transmitter initiates a new HDCP Session by sending a new r_{tx} as part of the authentication initiation message, AKE_Init. Message formats are defined in Section 4.2.

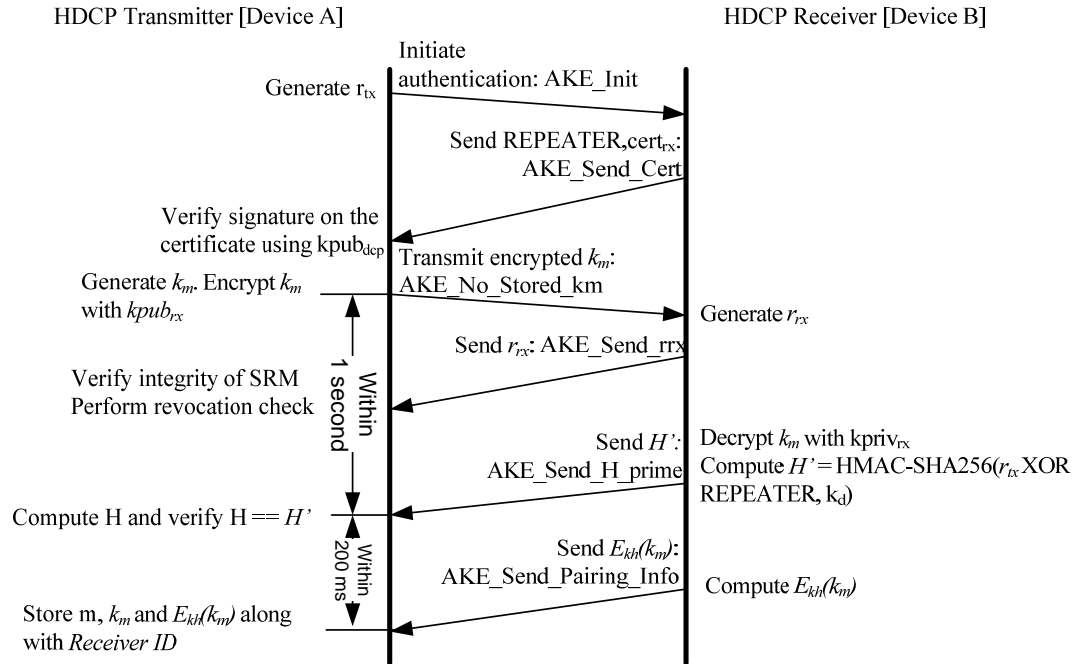


Figure 2.1. Authentication and Key Exchange (Without Stored k_m)

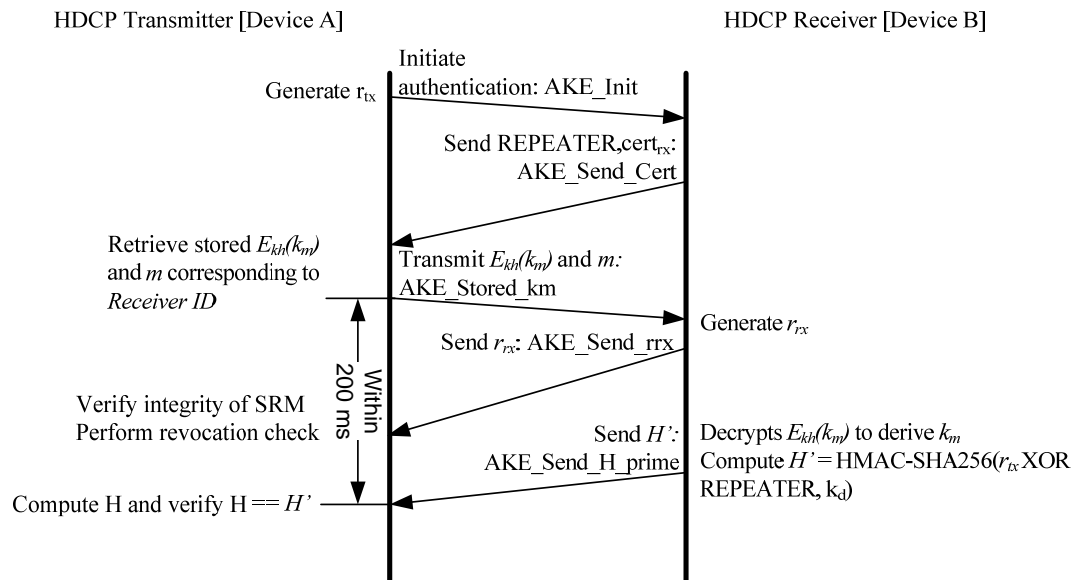


Figure 2.2. Authentication and Key Exchange (With Stored k_m)

The HDCP Transmitter

- Initiates authentication by sending the initiation message, AKE_Init, containing a 64-bit pseudo-random value (r_{tx}).
- Receives AKE_Send_Cert from the receiver containing REPEATER and $cert_{rx}$ values. REPEATER indicates whether the connected receiver is an HDCP Repeater
- Extracts *Receiver ID* from $cert_{rx}$
 - If the HDCP Transmitter does not have a 128-bit master key k_m stored corresponding to the *Receiver ID* (See Section 2.2.1)
 - Verifies the signature on the certificate using $k_{pub_{dcp}}$. Failure of signature verification constitutes an authentication failure and the HDCP Transmitter aborts the authentication protocol (See Section 2.7 on handling authentication failures).
 - Generates a pseudo-random 128-bit master key k_m . Encrypts k_m with $k_{pub_{rx}}$ ($E_{k_{pub}}(k_m)$) and sends AKE_No_Stored_km message to the receiver containing the 1024-bit $E_{k_{pub}}(k_m)$. RSAES-OAEP encryption scheme must be used as defined by PKCS #1 V2.1: RSA Cryptography Standard. SHA-256 is the underlying hash function. The mask generation function used is MGF1 which uses SHA-256 as its underlying hash function.
 - Verifies integrity of the System Renewability Message (SRM). It does this by checking the signature of the SRM using $k_{pub_{dcp}}$. Failure of this integrity check constitutes an authentication failure and causes the HDCP Transmitter to abort authentication protocol (See Section 2.7 on handling authentication failures).

The top-level HDCP Transmitter checks to see if the *Receiver ID* of the connected device is found in the revocation list. If the *Receiver ID* of the connected HDCP Device is found in the revocation list, authentication fails and the authentication protocol is aborted (See Section 2.7 on handling authentication failures). SRM integrity check and revocation check are performed only by the top-level HDCP Transmitter.

- Receives AKE_Send_rrx message from the receiver containing the 64-bit pseudo-random value (r_{rx}).
- Performs key derivation as explained in Section 2.8 to generate 256-bit k_d . $k_d = dkey_0 \parallel dkey_1$, where $dkey_0$ and $dkey_1$ are derived keys generated when $ctr = 0$ and $ctr = 1$ respectively. $dkey_0$ and $dkey_1$ are in big-endian order.
- Computes 256-bit $H = \text{HMAC-SHA256}(r_{tx} \text{ XOR REPEATER}, k_d)$ where HMAC-SHA256 is computed over $r_{tx} \text{ XOR REPEATER}$ and the key used for HMAC is k_d . REPEATER is XORed with the least significant byte of r_{tx} .
- Receives AKE_Send_H_prime message from the receiver containing the 256-bit H' . This message must be received within one second after sending $E_{k_{pub}}(k_m)$ (AKE_No_Stored_km) to the receiver. Authentication fails and the authentication protocol is aborted if the message is not received within one second or there is a mismatch

between H and H' (See Section 2.7 on handling authentication failures).

- If the HDCP Transmitter has a 128-bit master key k_m stored corresponding to the *Receiver ID* (See Section 2.2.1)
 - Sends AKE_Stored_km message to the receiver with the 128-bit $E_{kh}(k_m)$ and the 128-bit m corresponding to the *Receiver ID* of the HDCP Receiver
 - Verifies integrity of the System Renewability Message (SRM). It does this by checking the signature of the SRM using $k_{pub_{dep}}$. Failure of this integrity check constitutes an authentication failure and causes the HDCP Transmitter to abort the authentication protocol.

The top-level HDCP Transmitter checks to see if the *Receiver ID* of the connected device is found in the revocation list. If the *Receiver ID* of the connected HDCP Device is found in the revocation list, authentication fails and the authentication protocol is aborted.

- Receives AKE_Send_rrx message from the receiver containing the 64-bit pseudo-random value (r_{rx}) from the receiver.
- Performs key derivation as explained in Section 2.8 to generate 256-bit k_d . $k_d = dkey_0 \parallel dkey_1$, where $dkey_0$ and $dkey_1$ are derived keys generated when $ctr = 0$ and $ctr = 1$ respectively. $dkey_0$ and $dkey_1$ are in big-endian order.
- Computes 256-bit $H = \text{HMAC-SHA256}(r_{tx} \text{ XOR REPEATER}, k_d)$ where HMAC-SHA256 is computed over $r_{tx} \text{ XOR REPEATER}$ and the key used for HMAC is k_d . REPEATER is XORed with the least significant byte of r_{tx} .
- Receives AKE_Send_H_prime message from the receiver containing the 256-bit H' . This message must be received within 200 ms after sending the AKE_Stored_km message to the receiver. Authentication fails and the authentication protocol is aborted if the message is not received within 200 ms or there is a mismatch between H and H' (See Section 2.7 on handling authentication failures).

The HDCP Receiver

- Sends AKE_Send_Cert message in response to AKE_Init
- Generates and sends 64-bit r_{rx} as part of the AKE_Send_rrx message immediately after receiving either AKE_No_Stored_km or AKE_Stored_km message from the transmitter. r_{rx} must be generated only after either AKE_No_Stored_km or AKE_Stored_km message is received from the transmitter.
 - If AKE_No_Stored_km is received, the HDCP Receiver
 - Decrypts k_m with $k_{priv_{rx}}$ using RSAES-OAEP decryption scheme.
 - Performs key derivation as explained in Section 2.8 to generate 256-bit k_d . $k_d = dkey_0 \parallel dkey_1$, where $dkey_0$ and $dkey_1$ are derived keys

generated when $ctr = 0$ and $ctr = 1$ respectively. $dkey_0$ and $dkey_1$ are in big-endian order.

- Computes $H' = \text{HMAC-SHA256}(r_{tx} \text{ XOR REPEATER}, k_d)$. Sends AKE_Send_H_prime message immediately after computation of H' to ensure that the message is received by the transmitter within the specified one second timeout at the transmitter.
- If AKE_Stored_km is received, the HDCP Receiver
 - Computes 128-bit $k_h = \text{SHA-256}(k_{priv_{rx}})[127:0]$
 - Decrypts $E_{k_h}(k_m)$ using AES with the received m as input and k_h as key in to the AES module as illustrated in Figure 2.3 to derive k_m .
 - Performs key derivation as explained in Section 2.8 to generate 256-bit k_d . $k_d = dkey_0 \parallel dkey_1$, where $dkey_0$ and $dkey_1$ are derived keys generated when $ctr = 0$ and $ctr = 1$ respectively. $dkey_0$ and $dkey_1$ are in big-endian order.
 - Computes $H' = \text{HMAC-SHA256}(r_{tx} \text{ XOR REPEATER}, k_d)$. Sends AKE_Send_H_prime message immediately after computation of H' to ensure that the message is received by the transmitter within the specified 200 ms timeout at the transmitter.

On a decryption failure of k_m with $k_{priv_{rx}}$, the HDCP Receiver does not send H' and simply lets the timeout occur on the HDCP Transmitter.

2.2.1 Pairing

To speed up the AKE process, pairing must be implemented between the HDCP Transmitter and HDCP Receiver in parallel with AKE. When AKE_No_Stored_km message is received from the transmitter, it is an indication to the receiver that the transmitter does not have k_m stored corresponding to the receiver. In this case, after computing H' , the HDCP Receiver

- Computes 128-bit $k_h = \text{SHA-256}(k_{priv_{rx}})[127:0]$.
- Generates 128-bit $E_{k_h}(k_m)$ by encrypting k_m with k_h using AES as illustrated in Figure 2.3.
- Sends $\text{AKE_Send_Pairing_Info}$ to the transmitter containing the 128-bit $E_{k_h}(k_m)$.

On receiving $\text{AKE_Send_Pairing_Info}$ message, the HDCP Transmitter

- Persistently stores m (which is r_{tx} appended with 64 0s), k_m and $E_{k_h}(k_m)$ along with *Receiver ID*. k_m and $E_{k_h}(k_m)$ must be stored securely.

If $\text{AKE_Send_Pairing_Info}$ is not received by the HDCP Transmitter within 200 ms of the reception of AKE_Send_H_prime , authentication fails and the authentication protocol is aborted (See Section 2.7 on handling authentication failures).

Note: The HDCP Transmitter must store in its non-volatile storage m , k_m and $E_{k_h}(k_m)$ along with corresponding *Receiver IDs* of all HDCP Receivers with which pairing was implemented by the HDCP Transmitter.

Figure 2.3 illustrates the encryption of k_m with k_h .

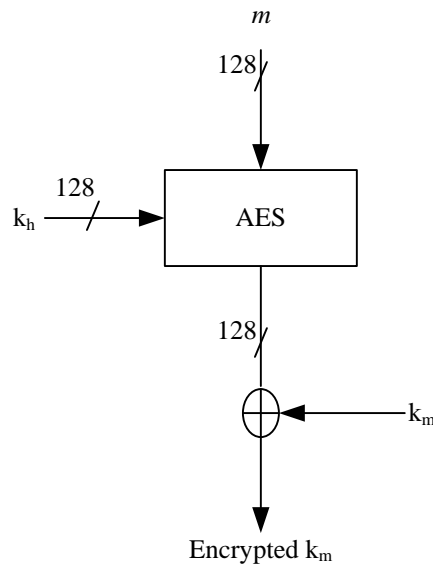


Figure 2.3. $E_{k_h}(k_m)$ Computation

128-bit m is constructed by appending 64 0s to r_{rx} . r_{rx} is in big-endian order.

2.3 Locality Check

Locality check is performed after AKE and pairing. The HDCP Transmitter initiates locality check by sending a 64-bit pseudo-random nonce r_n to the downstream receiver. The HDCP Transmitter

- Initiates locality check by sending LC_Init message containing a 64-bit pseudo-random nonce r_n to the HDCP Receiver.
- Computes 256-bit $L = \text{HMAC-SHA256}(r_n, k_d \text{ XOR } r_{rx})$ where HMAC-SHA256 is computed over r_n and the key used for HMAC is $k_d \text{ XOR } r_{rx}$, where r_{rx} is XORed with the least-significant 64-bits of k_d .
- Sends an RTT_Challenge message containing the least significant 128-bits of L .
- Sets its watchdog timer to 1 ms. Locality check fails if the watchdog timer expires before RTT_Response message is received.

On receiving RTT_Response message the HDCP Transmitter compares the received value with the most significant 128-bits of L and locality check fails if there is a mismatch. An HDCP Repeater initiates locality check on all its downstream HDCP-protected interface ports by sending unique r_n values to the connected HDCP Devices.

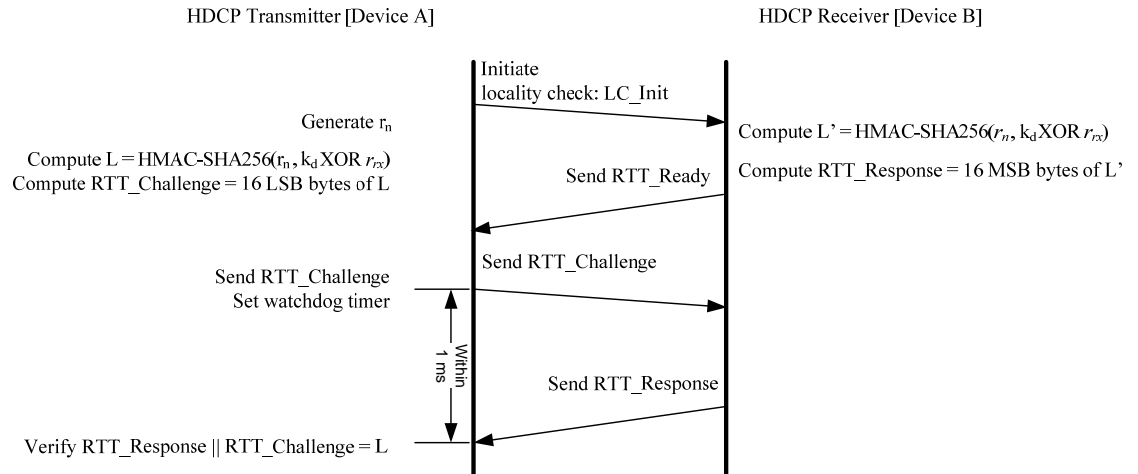


Figure 2.4. Locality Check between HDCP Transmitter and HDCP Receiver

An HDCP Receiver

- Computes 256-bit $L' = \text{HMAC-SHA256}(r_n, k_d \text{ XOR } r_{rx})$
- Sends RTT_Ready message to the transmitter when completed L' calculation and is ready for the RTT_Challenge .
- On receiving the RTT_Challenge message from the transmitter with the correct 128 LSB bits of L' , sends an RTT_Response message containing the most significant 128-bits of L' .

In the case of a locality check failure due to expiration of the watchdog timer at the HDCP Transmitter, locality check must be reattempted by the HDCP Transmitter 1023 additional times (for a total of 1024 trials) with the transmission of an LC_Init message containing a new r_n . Failure of locality check due to timeout for 1024 trials results in an authentication failure and the authentication protocol is aborted (See Section 2.7 on handling authentication failures). A locality check failure due to mismatch of the 128-bit value received in the RTT_Response message with the most significant 128-bits of L also results in an authentication failure and the authentication protocol is aborted.

2.4 Session Key Exchange

Successful completion of AKE and locality check stages affirms to HDCP Transmitter that the HDCP Receiver is authorized to receive HDCP Content. Session Key Exchange (SKE) is initiated by the HDCP Transmitter after a successful locality check and after the bandwidth reservation process has been completed, as described in WirelessHD 1.0a, Section 7.7.1. The HDCP Transmitter sends encrypted session key to the HDCP Receiver and enables HDCP Encryption 200 ms after sending encrypted session key (SKE_Send_Eks message). Content encrypted with the session key k_s starts to flow between the HDCP Transmitter and HDCP Receiver. HDCP Encryption must be enabled only after successful completion of AKE, locality check and SKE stages.

HDCP allows for multiple simultaneous streams within a given HDCP session. Each stream is identified by StreamIndex present in each WirelessHD MAC packet header. The HDCP session key is not specific to a particular stream. An HDCP Session begins when $\text{STREAM_START_NOTIFY}$ (WirelessHD 1.0a spec Section 10.4.4.3) is transmitted and ends when DISCONNECT_NOTIFY (WirelessHD 1.0a spec Section 10.4.4.4) is transmitted. Within a session, there can be multiple streams. The same session key can be used by the HDCP Transmitter to encrypt different streams with different StreamIndex values. The HDCP session

must be terminated when Secure Packet Counter (40-bit parameter), present in WirelessHD MAC packet header rolls back to zero. Note that under normal conditions this is a very long time; at 200ms per 7-sub-packet packet, this is over one year.

During SKE, the HDCP Transmitter

- Generates a pseudo-random 128-bit session key k_s and 64-bit pseudo-random number r_{iv} .
- Performs key derivation as explained in Section 2.8 to generate 128-bit $dkey_2$ where $dkey_2$ is the derived key when $ctr=2$.
- Computes 128-bit $E_{dkey}(k_s) = k_s \text{ XOR } (dkey_2 \text{ XOR } r_{rx})$, where r_{rx} is XORed with the least-significant 64-bits of $dkey_2$.
- Sends SKE_Send_Eks message containing $E_{dkey}(k_s), r_{iv}$ to the HDCP Receiver.

On receiving SKE_Send_Eks message, the HDCP Receiver

- Performs key derivation as explained in Section 2.8 to generate 128-bit $dkey_2$ where $dkey_2$ is the derived key when $ctr=2$.
- Computes $k_s = E_{dkey}(k_s) \text{ XOR } (dkey_2 \text{ XOR } r_{rx})$

2.5 Authentication with Repeaters

Figure 2.5 illustrates authentication with repeaters. The HDCP Transmitter executes authentication with repeaters after session key exchange and only when REPEATER is ‘true’, indicating that the connected HDCP Receiver is an HDCP Repeater. Authentication with repeaters is implemented in parallel with the flow of encrypted content and Link Synchronization. The Link Synchronization process is explained in Section 2.6. The authentication with repeaters stage assembles a list of all downstream *Receiver IDs* connected to the HDCP Repeater through a permitted connection tree, enabling revocation support upstream.

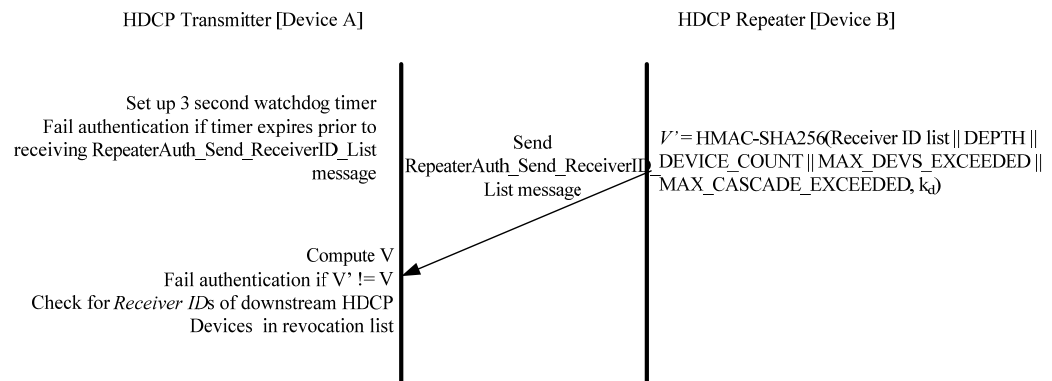


Figure 2.5. Authentication with Repeaters

HDCP Repeaters assemble the list of all connected downstream HDCP Receivers as the downstream HDCP-protected Interface Ports of the HDCP Repeater successfully complete the Authentication and Key Exchange and Locality check stages with connected HDCP Receivers. The list is represented by a contiguous set of bytes, with each *Receiver ID* occupying five bytes stored in big-endian order. The total length of the Receiver ID list is five bytes times the total number of connected and active downstream HDCP Devices, including downstream HDCP Repeaters. An HDCP-protected Interface Port with no active device connected adds nothing to the list. Also, the *Receiver ID* of the HDCP Repeater itself at any level is not included in its own Receiver ID list. An HDCP-protected Interface Port connected to an HDCP Receiver that is not an

HDCP Repeater adds the *Receiver ID* of the connected HDCP Repeater to the list. HDCP-protected Interface Ports that have an HDCP Repeater connected add the Receiver ID list received from the connected downstream HDCP Repeater, plus the *Receiver ID* of the connected downstream HDCP Repeater itself.

In order to add the Receiver ID list of the connected HDCP Repeater, it is necessary for the HDCP Repeater to verify the integrity of the list by computing V and checking this value against V' received as part of the RepeaterAuth_Send_ReceiverID_List message from the connected downstream HDCP Repeater. If V does not equal V' , the downstream Receiver ID list integrity check fails, and the HDCP Repeater must not send the RepeaterAuth_Send_ReceiverID_List message to the upstream HDCP Transmitter. Upstream HDCP Transmitters will detect this failure by the expiration of a watchdog timer set in the HDCP Transmitter. On expiration of the watchdog timer, authentication fails, the authentication protocol must be aborted and HDCP Encryption must be disabled (See Section 2.7 on handling authentication failures).

When the HDCP Repeater has assembled the complete list of connected HDCP Devices' *Receiver IDs*, it computes the 256-bit verification value V' .

$$V' = \text{HMAC-SHA256}(\text{Receiver ID list} \parallel \text{DEPTH} \parallel \text{DEVICE_COUNT} \parallel \text{MAX_DEVS_EXCEEDED} \parallel \text{MAX_CASCADE_EXCEEDED}, k_d)$$

HMAC-SHA256 is computed over the concatenation of Receiver ID list, DEPTH, DEVICE_COUNT, MAX_DEVS_EXCEEDED and MAX_CASCADE_EXCEEDED where Receiver ID list is formed by appending downstream *Receiver IDs* in big-endian order. The key used for HMAC is k_d . When the Receiver ID list, V' , DEPTH and DEVICE_COUNT are available, the HDCP Repeater sends RepeaterAuth_Send_ReceiverID_List message to the upstream HDCP Transmitter.

The HDCP Transmitter, having determined that REPEATER received earlier in the protocol is 'true', sets a three-second watchdog timer. When the RepeaterAuth_Send_ReceiverID_List message is received, the HDCP Transmitter verifies the integrity of the Receiver ID list by computing V and comparing this value to V' . If V is not equal to V' , authentication fails, the authentication protocol is aborted and HDCP Encryption is disabled (See Section 2.7 on handling authentication failures).

If the RepeaterAuth_Send_ReceiverID_List message is not received by the HDCP Transmitter within a maximum-permitted time of three seconds after transmitting SKE_Send_Eks message, authentication of the HDCP Repeater fails. With this failure, the HDCP Transmitter disables HDCP Encryption and aborts the authentication protocol with the HDCP Repeater (See Section 2.7 on handling authentication failures).

The HDCP Repeater propagates topology information upward through the connection tree to the HDCP Transmitter. An HDCP Repeater reports the topology status variables DEVICE_COUNT and DEPTH. The DEVICE_COUNT for an HDCP Repeater is equal to the total number of connected downstream HDCP Receivers and HDCP Repeaters. The value is calculated as the sum of the number of directly connected downstream HDCP Receivers and HDCP Repeaters plus the sum of the DEVICE_COUNT received from all connected HDCP Repeaters. The DEPTH status for an HDCP Repeater is equal to the maximum number of connection levels below any of the downstream HDCP-protected Interface Ports. The value is calculated as the maximum DEPTH reported from downstream HDCP Repeaters plus one (accounting for the connected downstream HDCP Repeater).

In Figure 2.6, R1 has zero downstream HDCP Devices and reports a value of zero for both the DEPTH and the DEVICE_COUNT.

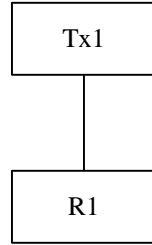


Figure 2.6. DEPTH and DEVICE_COUNT for HDCP Repeater

In Figure 2.7, R1 has three downstream HDCP Receivers connected to it. It reports a DEPTH of one and a DEVICE_COUNT of three.

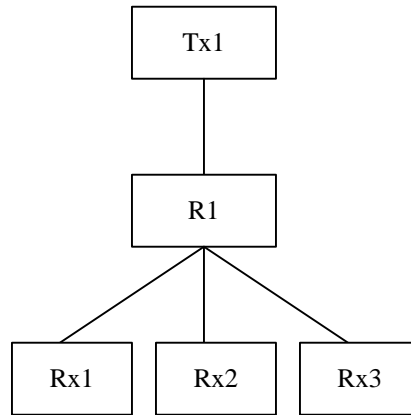


Figure 2.7. DEPTH and DEVICE_COUNT for HDCP Repeater

In Figure 2.8, R1 reports a DEPTH of two and a DEVICE_COUNT of four.

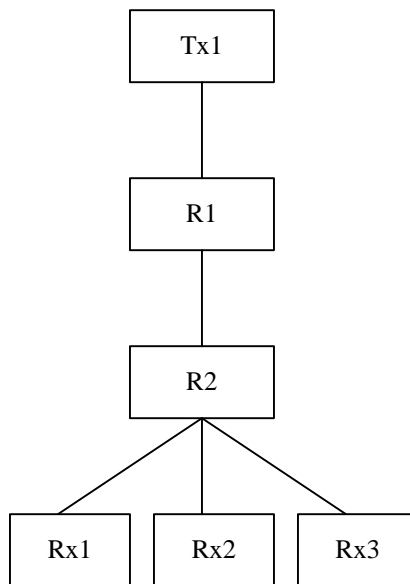


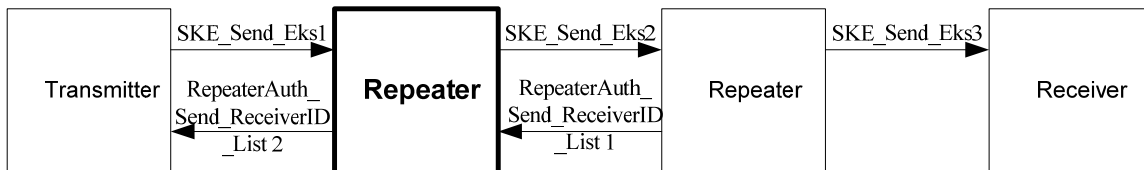
Figure 2.8. DEPTH and DEVICE_COUNT for HDCP Repeater

HDCP Repeaters must be capable of supporting DEVICE_COUNT values less than or equal to 31 and DEPTH values less than or equal to 4. If the computed DEVICE_COUNT for an HDCP Repeater exceeds 31, the error is referred to as MAX_DEVS_EXCEEDED error. The repeater sets MAX_DEVS_EXCEEDED = 'true' in the RepeaterAuth_Send_ReceiverID_List message. If the computed DEPTH for an HDCP Repeater exceeds four, the error is referred to as MAX_CASCADE_EXCEEDED error. The repeater sets MAX_CASCADE_EXCEEDED = 'true' in the RepeaterAuth_Send_ReceiverID_List message. When an HDCP Repeater receives a MAX_DEVS_EXCEEDED or a MAX_CASCADE_EXCEEDED error from a downstream HDCP Repeater, it must propagate the error to the upstream HDCP Transmitter and must not transmit *V*' and Receiver ID list.

Authentication fails if the topology maximums are exceeded. HDCP Encryption is disabled and the authentication protocol is aborted. The top-level HDCP Transmitter, having already performed SRM integrity check during AKE, proceeds to see if the *Receiver ID* of any downstream device is found in the current revocation list, and, if present, authentication fails, HDCP Encryption is disabled and authentication protocol is aborted (See Section 2.7 on handling authentication failures).

In HDCP topologies that mix HDCP 1.x and HDCP 2.0 devices, maximums for DEVICE_COUNT and DEPTH apply downstream of the device according to version of HDCP. For example DEVICE_COUNT and DEPTH limits for HDCP 2.0 (31 devices per stream, depth of 4) would apply downstream of a HDCP 2.0 based repeater even when HDCP 1.x devices are downstream of the HDCP 2.0 repeater. If limits are exceeded, then authentication fails. Note that HDCP 2.0-compliant devices only have to support HDCP 2.0 DEVICE_COUNT and DEPTH maximums.

An HDCP 2.0-compliant repeater device must comply with the timings specified below.



From	To	Max Delay	Conditions and Comments
SKE_Send_Eks1 Session key received from Upstream HDCP Transmitter	SKE_Send_Eks2 k_s generated by HDCP Repeater transmitted downstream	100 ms	Downstream propagation time.
SKE_Send_Eks3 k_s transmitted to all downstream HDCP-protected Interface Ports	RepeaterAuth_Send_ReceiverID_List1 <i>Receiver IDs</i> and topology information transmitted upstream	200 ms	Upstream propagation time when no downstream HDCP Repeaters are attached (no downstream Receiver ID lists to process)
RepeaterAuth_Send_ReceiverID_List 1	RepeaterAuth_Send_ReceiverID_List2	200 ms	Upstream propagation time when one or more HDCP Repeaters are attached. From latest downstream RepeaterAuth_Send_ReceiverID_List message.

Downstream <i>Receiver IDs</i> and topology information received	<i>Receiver IDs</i> and topology information transmitted upstream		(downstream Receiver ID lists must be processed)
SKE_Send_Eks1 Upstream HDCP Transmitter transmits k_s	RepeaterAuth_Send_ReceiverID_List2 Upstream HDCP Transmitter receives RepeaterAuth_Send_ReceiverID_List message	1.2 seconds	For the Maximum of four repeater levels, 4 * (100 ms + 200 ms)

Table 2–2. HDCP Repeater Protocol Timing Requirements

Table 2–2 specifies HDCP Repeater timing requirements that bound the worst-case propagation time for the Receiver ID list. A maximum delay of three seconds has been provided to receive the RepeaterAuth_Send_ReceiverID_List message by the upstream transmitter to account for authentication delays due to the presence of downstream receivers that have not been paired with the upstream HDCP Repeater. Note that because each HDCP Repeater does not know the number of downstream HDCP Repeaters, it must use the same three-second timeout used by the upstream HDCP Transmitter for receiving the RepeaterAuth_Send_ReceiverID_List message.

2.6 Link Synchronization

After successful completion of SKE, HDCP Encryption is enabled and encrypted content starts to flow between the HDCP Transmitter and the HDCP Receiver. The HDCP Transmitter uses the STREAM_START_NOTIFY message to indicate that HDCP 2.0 will be used for that StreamIndex. The HDCP Receiver uses the StreamIndex in the MAC header and the CP Header Present bit to identify data that has HDCP Encryption enabled and that the sub-packet payload is encrypted. (Refer to [3] for details about StreamIndex and CP Header Present bit). The CP Header Present bit must be set to one in the sub-packets if HDCP Encryption is enabled for the sub-packet payload and must be set to zero if HDCP Encryption is disabled for the sub-packet payload. Once encrypted content starts to flow, a periodic Link Synchronization is performed to maintain cipher synchronization between the HDCP Transmitter and the HDCP Receiver.

The HDCP Transmitter must ensure that it supports both protected and non-protected video streams to HDCP Receiver. For example supporting non-protected menu video. This can be done either at MAC sub-packet level for a given StreamIndex (CP can be disabled for duration of sub-packet) or a separate StreamIndex can be configured and sent in a separate MAC frame.

Link Synchronization is achieved every time a MAC packet header is transmitted, by the inclusion of the Secure Packet Counter in the MAC header and the CP Header Present bit is set to one in the MAC sub-packet header. The HDCP Receiver updates its *inputCtr* (as explained in Section 3.4) corresponding to the Secure Packet Counter value received from the transmitter and local count of 128-bit video blocks for AES cipher.

2.7 Authentication Failures

On an authentication failure at the HDCP Transmitter during the authentication protocol, the protocol must be aborted, if HDCP Encryption is enabled, it must be immediately disabled. Authentication must be reattempted at least once by the top-level HDCP Transmitter by the transmission of a new r_{tx} as part of the AKE_Init message. An exception to this rule is in the case of authentication failure due to failure of SRM integrity check or if the *Receiver ID* of an connected downstream HDCP Device is in the revocation list. Authentication need not be reattempted in these cases. The HDCP Repeater initiates re-authentication on its downstream HDCP-

protected interface ports only when it receives a re-authentication request i.e. a new r_{tx} value as part of the AKE_Init message, from upstream.

2.8 Key Derivation

Key derivation is illustrated in Figure 2.9.

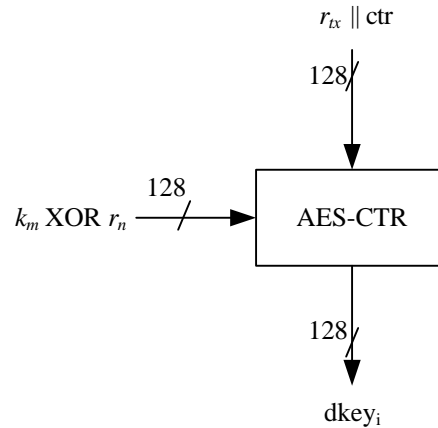


Figure 2.9. Key Derivation

r_{tx} and ctr are in big-endian order. ctr is a 64-bit counter and is initialized to 0 at the beginning of the HDCP Session i.e. after r_{tx} is sent or received. It is incremented by one after every derived key computation. dkey_i is the 128-bit derived key when $\text{ctr} = i$. ctr must never be reused during an HDCP Session.

r_n is initialized to 0 during AKE i.e. during the generation of dkey_0 and dkey_1 . It is set to a pseudo-random value during locality check as explained in Section 2.3. The pseudo-random r_n is XORed with the least-significant 64-bits of k_m during generation of dkey_2 .

2.9 HDCP Transmitter State Diagram

As explained in Section 1.3, the HDCP Transmitter may support simultaneous connections to HDCP Receivers through one or more of its HDCP-protected interface ports. The HDCP Transmitter state diagram is implemented independently on each HDCP-protected interface port. The HDCP Transmitter can be considered to have two separate functions – a main HDCP Transmitter function and several HDCP Transmitter sub-functions. Each sub-function is associated with a specific HDCP-protected interface port on the transmitter and implements the HDCP Transmitter state diagram on the port. The main transmitter function ensures that the constraints on

the HDCP System are met. This is explained further in Section 2.9.1.

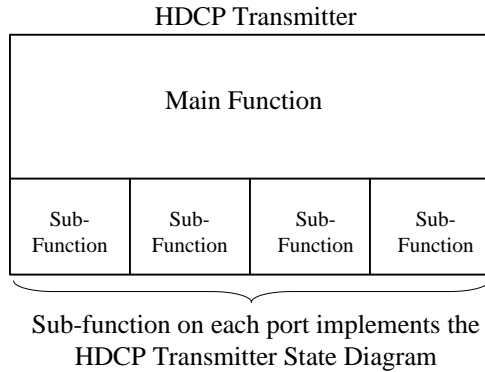
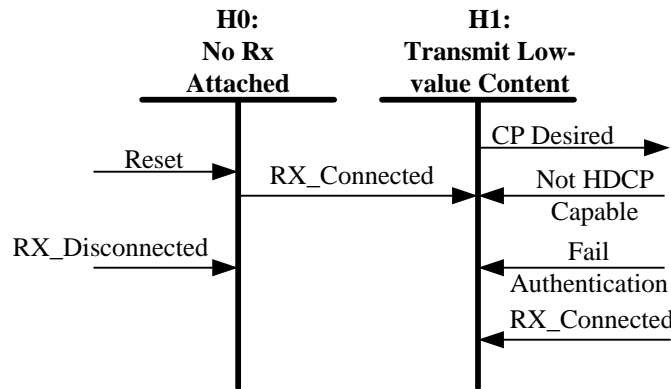


Figure 2.10. HDCP Transmitter Functions

The HDCP Transmitter Link State Diagram and HDCP Transmitter Authentication Protocol State Diagram (Figure 2.11 and Figure 2.12) illustrate the operation states of the authentication protocol for an HDCP Transmitter that is not an HDCP Repeater. For HDCP Repeaters, the downstream (HDCP Transmitter) side is covered in Section 2.11.2.

Transmitter’s decision to begin authentication is dependent on events such as detection of an HDCP Receiver, availability of premium content or other implementation dependent details in the transmitter. In the event of authentication failure, an HDCP Receiver must be prepared to process subsequent authentication attempts. The HDCP Transmitter may cease to attempt authentication for transmitter-specific reasons, which include receiving a RX_Disconnected or after a certain number of authentication re-attempts by the transmitter.

The transmitter must not initiate authentication unless the setup and discovery part of chapter 7.3 of WirelessHD specification determines that the receiver is HDCP-capable. Chapter 7.3 of WirelessHD specification also indicate to the HDCP transmitter the connect/disconnect status of the HDCP Receiver.



Note: Transition arrows with no connected state (e.g. Reset) indicate transitions that can occur from multiple states

Figure 2.11. HDCP Transmitter Link State Diagram

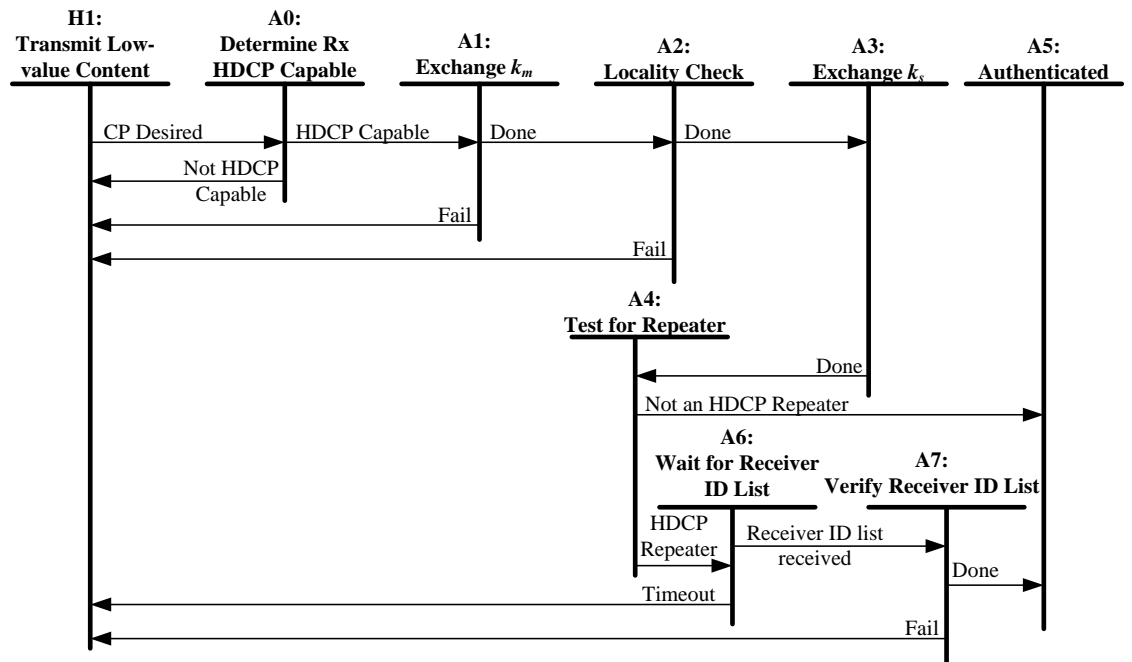


Figure 2.12. HDCP Transmitter Authentication Protocol State Diagram

Transition Any State:H0. Reset conditions at the HDCP Transmitter or disconnect of all HDCP capable receivers cause the HDCP Transmitter to enter the No Receiver Attached state.

Transition H0:H1. The detection of a sink device (through RX_Connected) indicates to the transmitter that a sink device is connected and ready to display the received content. When the receiver is no longer active, the transmitter is notified through RX_Disconnected.

State H1: Transmit Low-value Content. In this state the transmitter should begin sending an unencrypted signal with HDCP Encryption disabled. The transmitted signal can be a low value content or informative on-screen display. This will ensure that a valid video signal is displayed to the user before and during authentication. At any time a receiver connected indication received from the connected HDCP Repeater causes the transmitter to transition in to this state.

Transition H1:A0. If content protection is desired by the Upstream Content Control Function, then the HDCP Transmitter should immediately attempt to determine whether the receiver is HDCP capable.

State A0: Determine Rx HDCP Capable. The transmitter determines that the receiver is HDCP capable as part of the setup and discovery procedures described in Chapter 7.3 in the WirelessHD specification.. Since state A0 is reached when content protection is desired by the Upstream Content Control Function, authentication must be started immediately by the transmitter if the receiver is HDCP capable. A valid video screen is displayed to the user with encryption disabled during this time.

Transition A0:H1. If the receiver is not HDCP capable, the transmitter continues to transmit low value content or informative on-screen display.

Transition A0:A1. If the receiver is HDCP capable, the transmitter initiates the authentication protocol.

State A1: Exchange k_m . In this state, the HDCP Transmitter initiates authentication by sending AKE_Init message containing r_{tx} to the HDCP Receiver. It receives AKE_Send_Cert from the receiver containing REPEATER and $cert_{rx}$.

If the HDCP Transmitter does not have k_m stored corresponding to the *Receiver ID*, it generates $E_{k_{pub}}(k_m)$ and sends $E_{k_{pub}}(k_m)$ as part of the AKE_No_Stored_km message to the receiver after verification of signature on $cert_{rx}$. It performs integrity check on the SRM and checks to see whether the *Receiver ID* of the connected HDCP Device is in the revocation list. It receives AKE_Send_rrx message containing r_{rx} from the receiver. It computes H, receives AKE_Send_H_prime message from the receiver containing H' within one second after sending AKE_No_Stored_km to the receiver and compares H' against H.

If the HDCP Transmitter has k_m stored corresponding to the *Receiver ID*, it sends AKE_Stored_km message containing $E_{kh}(k_m)$ and m to the receiver, performs integrity check on the SRM, checks to see whether the *Receiver ID* of the connected HDCP Device is in the revocation list and receives r_{rx} as part of AKE_Send_rrx message from the receiver. It computes H, receives AKE_Send_H_prime message from the receiver containing H' within 200 ms after sending AKE_Stored_km to the receiver and compares H' against H.

If the HDCP Transmitter does not have a k_m stored corresponding to the *Receiver ID*, it implements pairing with the HDCP Receiver as explained in Section 2.2.1.

Transition A1:H1. This transition occurs on failure of signature verification on $cert_{rx}$, failure of SRM integrity check, if *Receiver ID* of the connected HDCP Device is in the revocation list or if there is a mismatch between H and H' . This transition also occurs if AKE_Send_H_prime message is not received within one second after sending AKE_No_Stored_km or within 200 ms after sending AKE_Stored_km to the receiver.

Transition A1:A2. The HDCP Transmitter implements locality check after successful completion of AKE and pairing.

State A2: Locality Check. In this state, the HDCP Transmitter initiates locality check by sending LC_Init message containing r_n to the HDCP Receiver, computes L, sends RTT_Challenge message and sets its watchdog timer to 1 ms. On receiving RTT_Response message from the receiver, it compares the 128-bit value received in the RTT_Response message with the most significant 128-bits of L.

Transition A2:H1. This transition occurs on 1024 consecutive locality check failures due to expiration of the watchdog timer at the HDCP Transmitter. A locality check failure due to mismatch of the value contained in the RTT_Response message and the most significant 128-bits of L also causes this transition.

Transition A2:A3. The HDCP Transmitter implements SKE after successful completion of locality check.

State A3: Exchange k_s . The HDCP Transmitter sends encrypted session key, $E_{dkey}(k_s)$, and r_{iv} to the HDCP Receiver as part of the SKE_Send_Eks message. It enables HDCP Encryption 200 ms after sending encrypted session key. HDCP Encryption must be enabled only after successful completion of AKE, locality check and SKE stages.

Transition A3:A4. This transition occurs after completion of SKE.

State A4: Test for Repeater. The HDCP Transmitter evaluates the REPEATER value that was received in State A1.

Transition A4:A5. REPEATER is 'false' (the HDCP Receiver is not an HDCP Repeater).

State A5: Authenticated. At this time, and at no prior time, the HDCP Transmitter has completed the authentication protocol.

A periodic Link Synchronization is performed to maintain cipher synchronization between the HDCP Transmitter and the HDCP Receiver.

Transition A4:A6. REPEATER is 'true' (the HDCP Receiver is an HDCP Repeater).

State A6: Wait for Receiver ID List. The HDCP Transmitter sets up a three-second watchdog timer after sending SKE_Send_Eks.

Transition A6:H1. The watchdog timer expires before the RepeaterAuth_Send_ReceiverID_List is received.

Transition A6:A7. RepeaterAuth_Send_ReceiverID_List message is received.

State A7: Verify Receiver ID List. The watchdog timer is cleared. If both MAX_DEVS_EXCEEDED and MAX_CASCADE_EXCEEDED are not 'true', computes V , and verifies $V == V'$. The *Receiver IDs* from the Receiver ID list are compared against the current revocation list.

Transition A7:H1. This transition is made if $V \neq V'$ or if any of the *Receiver IDs* in the Receiver ID list are found in the current revocation list. A MAX_CASCADE_EXCEEDED or MAX_DEVS_EXCEEDED error also causes this transition.

Transition A7:A5. This transition occurs if $V == V'$, none of the reported *Receiver IDs* are in the current revocation list, and the downstream topology does not exceed specified maximums.

Note: Since authentication with repeaters is implemented in parallel with the flow of encrypted content and Link Synchronization, the link synchronization process (i.e. State A5) must be implemented asynchronously from the rest of the state diagram. The transition into State A5 must occur from any state for which encryption is currently enabled. Also, the transition from state A5 returns to the appropriate state to allow for undisrupted operation.

The HDCP Transmitter may support simultaneous connections to HDCP Receivers through its HDCP-protected interface ports. It may share the same session key and r_{iv} across all its HDCP-protected interface ports, as explained in Section 3.5. However, the HDCP Transmitter must ensure that each connected HDCP Receiver receives distinct k_m and r_{tx} values.

2.9.1 Main HDCP Transmitter Function

The HDCP System places the following constraints on the number of HDCP Devices and levels of HDCP Repeaters in the topology.

1. Up to four levels of HDCP Repeaters and as many as 32 total HDCP Devices, including HDCP Repeaters, are allowed to be connected to an HDCP-protected Interface port; and
2. An instance of an Upstream Content Control Function transmits a content stream to the HDCP Transmitter. For every such content stream received and encrypted by the HDCP System, the HDCP Transmitter is allowed to transmit the generated HDCP Content stream to up to four levels of HDCP Repeaters and as many as 32 total HDCP Devices, including HDCP Repeaters.

The first constraint is met by implementing the authentication protocol independently on each HDCP-protected interface port and verifying that the DEPTH and DEVICE_COUNT read from the connected repeater are less than or equal to 4 and 31 respectively (HDCP Transmitter sub-function). To meet the second constraint, the HDCP Transmitter (that is not an HDCP Repeater)

performs an additional step after all its HDCP-protected interface ports have reached the terminal states of the authentication protocol i.e. State H0 (unconnected), State H1 (inactive or unauthenticated) and State A5 (authenticated). This is the main HDCP Transmitter function. For each of its HDCP-protected interface ports connected to an HDCP Repeater or HDCP Receiver that have reached the authenticated state, State A5 and that will transmit the content stream received from a specific instance of the Upstream Content Control Function, the HDCP Transmitter computes the total number of HDCP Devices connected to each HDCP-protected interface port by incrementing the DEVICE_COUNT on those ports by one (to account for the connected HDCP Repeater or HDCP Receiver), where the transmitter sets the DEVICE_COUNT to 0 on a port with a connected HDCP Receiver that is not an HDCP Repeater.

Total_Port_Device_Count = DEVICE_COUNT + 1, where DEVICE_COUNT = 0 on a port with a connected HDCP Receiver that is not an HDCP Repeater

It then computes the total number of HDCP Devices connected to the HDCP Transmitter as follows

Total_Transmitter_Device_Count = Total_Port_Device_Count₁ + + Total_Port_Device_Count_n, where n is the total number of HDCP-protected interface ports on the transmitter.

If the computed Total_Transmitter_Device_Count exceeds 32, the top-level HDCP Transmitter disables encryption and aborts the HDCP Session on all its HDCP-protected interface ports. The state diagram (Figure 2.13) and the description below relates to the main HDCP Transmitter function.

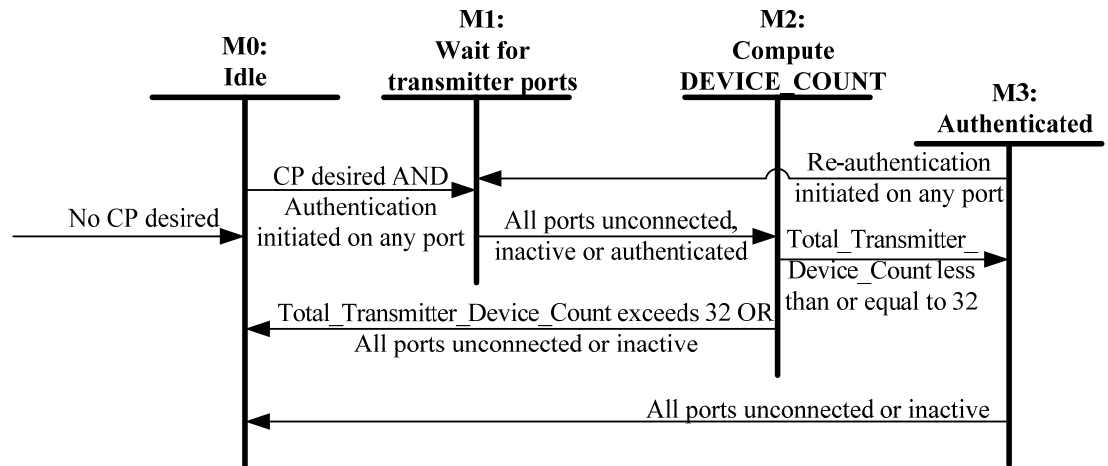


Figure 2.13. Main HDCP Transmitter Function State Diagram

Transition Any State:M0. The HDCP Transmitter transitions in to the Idle state when content protection is not desired by the Upstream Content Control Function. HDCP Encryption is disabled in this state.

Transition M0:M1. The transition occurs when content protection is desired by the Upstream Content Control Function and authentication has been initiated by the HDCP Transmitter on any of its HDCP-protected Interface ports by transmission of an AKE_Init message.

State M1: Wait for transmitter ports. In this state the transmitter waits for all its HDCP-protected interface ports to transition to the unconnected (State H0), inactive (State H1) or authenticated state (State A5).

Transition M1:M2. This transition occurs when all ports have transitioned to the unconnected, inactive or authenticated states.

State M2: Compute DEVICE_COUNT. The HDCP Transmitter computes the total number of HDCP Devices connected to it i.e. the Total_Transmitter_Device_Count.

Transition M2:M0. This transition occurs if the computed Total_Transmitter_Device_Count exceeds 32 or all transmitter ports have transitioned to unconnected or inactive state.

Transition M2:M3. This transition occurs if the computed Total_Transmitter_Device_Count for the HDCP Transmitter is less than or equal to 32.

State M3: Authenticated. At this time, and at no time prior, the HDCP Transmitter makes available to the Upstream Content Control Function upon request, information that indicates that the HDCP System is fully engaged and able to deliver HDCP Content, which means (a) HDCP Encryption is operational on each downstream HDCP-protected Interface Port connected to an HDCP Receiver, (b) processing of valid received SRMs, if any, has occurred, as defined in this Specification, and (c) there are no HDCP Receivers on HDCP-protected Interface Ports, or downstream, with *Receiver IDs* in the current revocation list.

Transition M3:M1. This transition occurs when re-authentication has been initiated by the HDCP Transmitter on any of its HDCP-protected Interface ports by transmission of an AKE_Init message.

2.10 HDCP Receiver State Diagram

The operation states of the authentication protocol for an HDCP Receiver that is not an HDCP Repeater are illustrated in Figure 2.14. For HDCP Repeaters, the upstream (HDCP Receiver) side is covered in Section 2.11.3.

The HDCP Receiver must be ready to re-authenticate with the HDCP Transmitter at any point in time. In particular, the only indication to the HDCP Receiver of a re-authentication attempt by the HDCP Transmitter is the reception of an r_{tx} as part of the AKE_Init message from the HDCP Transmitter.

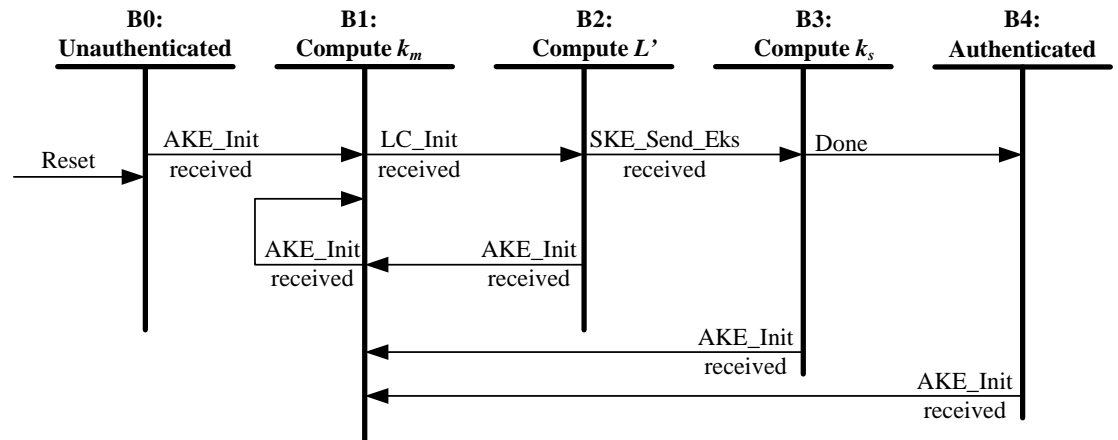


Figure 2.14. HDCP Receiver Authentication Protocol State Diagram

Transition Any State:B0. Reset conditions at the HDCP Receiver cause the HDCP Receiver to enter the unauthenticated state.

State B0: Unauthenticated. The HDCP Receiver is awaiting the reception of r_{tx} from the HDCP Transmitter to trigger the authentication protocol.

Transition B0:B1. r_{rx} is received as part of the AKE_Init message from the HDCP Transmitter.

State B1: Compute k_m . In this state, the HDCP Receiver sends AKE_Send_Cert message in response to AKE_Init, generates and sends r_{rx} as part of AKE_Send_rrx message. If AKE_No_Stored_km is received, it decrypts k_m with $k_{priv_{rx}}$, calculates H' . It sends AKE_Send_H_prime message immediately after computation of H' to ensure that the message is received by the transmitter within the specified one second timeout at the transmitter

If AKE_Stored_km is received, the HDCP Receiver decrypts $E_{k_h}(k_m)$ to derive k_m and calculates H' . It sends AKE_Send_H_prime message immediately after computation of H' to ensure that the message is received by the transmitter within the specified 200 ms timeout at the transmitter

If AKE_No_Stored_km is received, this is an indication to the HDCP Receiver that the HDCP Transmitter does not contain a k_m stored corresponding to its *Receiver ID*. It implements pairing with the HDCP Transmitter as explained in Section 2.2.1.

Transition B1: B1. Should the HDCP Transmitter send an AKE_Init while the HDCP Receiver is in State B1, the HDCP Receiver abandons intermediate results and restarts computation of k_m .

Transition B1: B2. The transition occurs when r_n is received as part of LC_Init message from the transmitter.

State B2: Compute L' . The HDCP Receiver computes L' required during locality check and sends RTT_Response message after receiving the RTT_Challenge message from the transmitter.

Transition B2: B1. Should the HDCP Transmitter send an AKE_Init while the HDCP Receiver is in State B2, the HDCP Receiver abandons intermediate results and restarts computation of k_m .

Transition B2: B3. The transition occurs when SKE_Send_Eks message is received from the transmitter.

State B3: Compute k_s . The HDCP Receiver decrypts $E_{dkey}(k_s)$ to derive k_s .

Transition B3: B1. Should the HDCP Transmitter send an AKE_Init while the HDCP Receiver is in State B3, the HDCP Receiver abandons intermediate results and restarts computation of k_m .

Transition B3: B4. Successful computation of k_s transitions the receiver into the authenticated state.

State B4: Authenticated. The HDCP Receiver has completed the authentication protocol. Periodically, it updates its *inputCtr* corresponding to the stream (as indicated by the StreamIndex in the MAC header) using the Secure Packet Counter value received from the transmitter.

Transition B4: B1. Should the HDCP Transmitter send an AKE_Init while the HDCP Receiver is in State B4, the HDCP Receiver abandons intermediate results and restarts computation of k_m .

2.11 HDCP Repeater State Diagrams

The HDCP Repeater has one HDCP-protected Interface connection to an upstream HDCP Transmitter and one or more HDCP-protected Interface connections to downstream HDCP Receivers. The state diagram for each downstream connection (Figure 2.16 and Figure 2.17) is substantially the same as that for the host HDCP Transmitter (Section 2.9), with two exceptions. First, the HDCP Repeater is not required to check for downstream Receiver IDs in a revocation list. Second, the HDCP Repeater initiates authentication downstream when it receives an authentication request from upstream, rather than at detection of an HDCP Receiver on the downstream HDCP-protected Interface Port.

The HDCP Repeater signals the detection of an active downstream HDCP Receiver to the upstream HDCP Transmitter by propagating the RX_Connected to the upstream HDCP Transmitter. Whenever authentication is initiated by the upstream HDCP Transmitter by sending AKE_Init, the HDCP Repeater immediately initiates authentication on all its downstream HDCP-protected interface ports. Similarly, when re-authentication is attempted by the upstream transmitter by sending a new r_n , the HDCP Repeater immediately initiates re-authentication on all its downstream ports.

The HDCP Repeater must generate unique k_m values for HDCP Devices connected to each of its downstream HDCP-protected interface ports.

If an HDCP Repeater has no active downstream HDCP devices, it must authenticate as an HDCP Receiver with REPEATER set to 'false' if it wishes to receive HDCP Content, but must not pass HDCP Content to downstream devices.

2.11.1 Propagation of Topology Errors and Receiver Connected / Disconnected Indication

MAX_DEVS_EXCEEDED and MAX_CASCADE_EXCEEDED: HDCP Repeaters must be capable of supporting DEVICE_COUNT values less than or equal to 31 and DEPTH values less than or equal to 4. If the computed DEVICE_COUNT for an HDCP Repeater exceeds 31, the error is referred to as MAX_DEVS_EXCEEDED error. The repeater sets MAX_DEVS_EXCEEDED = 'true' in the RepeaterAuth_Send_ReceiverID_List message. If the computed DEPTH for an HDCP Repeater exceeds four, the error is referred to as MAX_CASCADE_EXCEEDED error. The repeater sets MAX_CASCADE_EXCEEDED = 'true' in the RepeaterAuth_Send_ReceiverID_List message. When an HDCP Repeater receives a MAX_DEVS_EXCEEDED or a MAX_CASCADE_EXCEEDED error from a downstream HDCP Repeater, it must propagate the error to the upstream HDCP Transmitter and must not transmit V' and Receiver ID list.

RX_Disconnected. When an authenticated HDCP Receiver connected to the downstream HDCP Repeater connection is disconnected, the resulting RX_Disconnected must not be propagated by the repeater to the upstream HDCP Transmitter when HDCP Content is flowing. The disconnected indication must be propagated to the upstream HDCP Transmitter once the flow of HDCP Content stops or if there are no more authenticated HDCP Receivers connected to the HDCP Repeater.

RX_Connected when HDCP Receiver is Re-connected. When an authenticated HDCP Receiver is disconnected and reconnected to the downstream port of the HDCP Repeater i.e. the downstream port of the repeater detects the same Receiver ID, and there were no intervening re-authentication requests from the upstream HDCP Transmitter during the time the HDCP Receiver was disconnected, the HDCP Repeater need not propagate the RX_Connected to the upstream HDCP Transmitter. The HDCP Repeater may initiate authentication, complete the authentication protocol with the connected HDCP Receiver and enable HDCP Encryption.

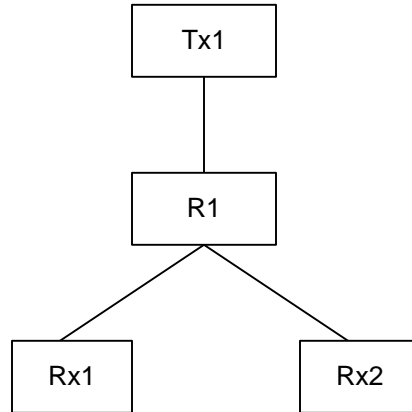
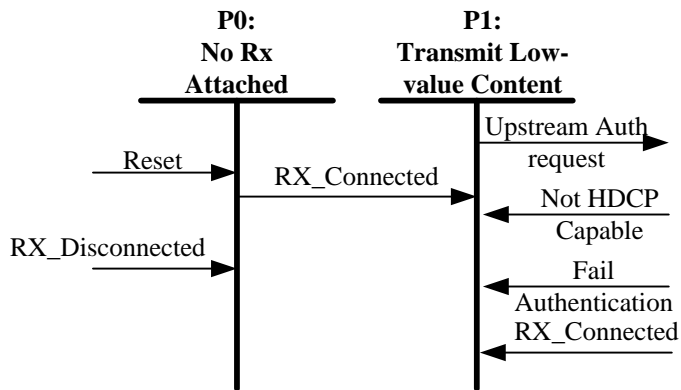


Figure 2.15. HDCP Receiver Reconnect

In Figure 2.15, Rx1 and Rx2 are authenticated HDCP Receivers connected to HDCP Repeater R1. When Rx2 is disconnected and reconnected and there were no intervening re-authentication requests from Tx1, R1 may authenticate Rx2 without propagating the RX_Connected to Tx1.

2.11.2 HDCP Repeater Downstream State Diagram

In this state diagram and its following description, the downstream (HDCP Transmitter) side refers to the HDCP Transmitter functionality within the HDCP Repeater for its corresponding downstream HDCP-protected Interface Port.



Note: Transition arrows with no connected state (e.g. Reset) indicate transitions that can occur from multiple states

Figure 2.16. HDCP Repeater Downstream Link State Diagram

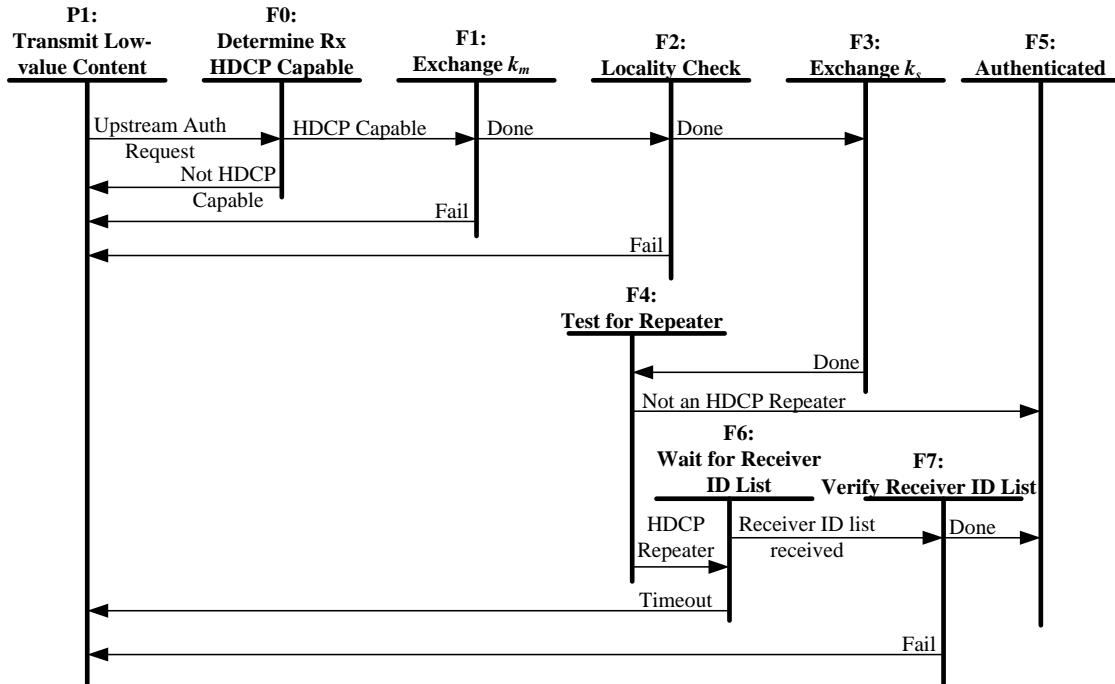


Figure 2.17. HDCP Repeater Downstream Authentication Protocol State Diagram

Transition Any State:P0. Reset conditions at the HDCP Repeater or disconnect of all HDCP capable receivers cause the HDCP Repeater to enter the No Receiver Attached state. A RX_Disconnected received from the connected downstream HDCP Repeater also causes this transition.

Transition P0:P1. The detection of a sink device (through RX_Connected) indicates that the receiver is available and active (ready to display received content). When the receiver is no longer active, the downstream (HDCP Transmitter) side is notified through RX_Disconnected.

State P1: Transmit low-value content. In this state the downstream side should begin sending the unencrypted video signal received from the upstream HDCP Transmitter with HDCP Encryption disabled. At any time a RX_Connected received from the connected HDCP Repeater causes the downstream side to transition in to this state. From this state, the downstream side initiates authentication only when an Upstream Authentication Request is received i.e. the upstream side receives AKE_Init from the upstream HDCP Transmitter.

Note: As explained in Section 2.11.1, if a previously authenticated HDCP Receiver is re-connected and there were no intervening re-authentication requests from the upstream HDCP Transmitter during the time the HDCP Receiver was disconnected, the downstream side may initiate authentication with the HDCP Receiver without waiting for an Upstream Authentication Request.

Transition P1:F0. Upon an Upstream Authentication Request, the downstream side should immediately attempt to determine whether the receiver is HDCP capable.

State F0: Determine Rx HDCP Capable. The downstream side determines that the receiver is HDCP capable as part of the setup and discovery procedures defined in Chapter 7.3 of the WirelessHD specification. Since state F0 is reached upon an Upstream Authentication Request, authentication must be started immediately by the downstream side if the receiver is HDCP capable. A valid video screen is displayed to the user with encryption disabled during this time.

Transition F0:P1. If the receiver is not HDCP capable, the downstream side continues to transmit low value content or informative on-screen display received from the upstream HDCP Transmitter.

Transition F0:F1. If the receiver is HDCP capable, the downstream side initiates the authentication protocol.

State F1: Exchange k_m . In this state, the downstream side initiates authentication by sending AKE_Init message containing r_{tx} to the HDCP Receiver. It receives AKE_Send_Cert from the receiver containing REPEATER and $cert_{rx}$.

If the downstream side does not have k_m stored corresponding to the *Receiver ID*, it generates $E_{k_{pub}}(km)$ and sends $E_{k_{pub}}(km)$ as part of the AKE_No_Stored_km message to the receiver after verification of signature on $cert_{rx}$. It receives AKE_Send_rrx message containing r_{rx} from the receiver. It computes H, receives AKE_Send_H_prime message from the receiver containing H' within one second after sending AKE_No_Stored_km to the receiver and compares H' against H.

If the downstream side has k_m stored corresponding to the *Receiver ID*, it sends AKE_Stored_km message containing $E_{k_{pub}}(k_m)$ and m to the receiver and receives r_{rx} as part of AKE_Send_rrx message from the receiver. It computes H, receives AKE_Send_H_prime message from the receiver containing H' within 200 ms after sending AKE_Stored_km to the receiver and compares H' against H.

If the downstream side does not have a k_m stored corresponding to the *Receiver ID*, it implements pairing with the HDCP Receiver as explained in Section 2.2.1.

Transition F1:P1. This transition occurs on failure of signature verification on $cert_{rx}$ or if there is a mismatch between H and H' . This transition also occurs if AKE_Send_H_prime message is not received within one second after sending AKE_No_Stored_km or within 200 ms after sending AKE_Stored_km to the receiver.

Transition F1:F2. The downstream side implements locality check after successful completion of AKE and pairing.

State F2: Locality Check. In this state, the downstream side initiates locality check by sending LC_Init message containing r_n to the HDCP Receiver, computes L, sends RTT_Challenge message and sets its watchdog timer to 1 ms. On receiving RTT_Response message from the receiver, it compares the 128-bit value received in the RTT_Response message with the most significant 128-bits of L.

Transition F2:P1. This transition occurs on 1024 consecutive locality check failures due to expiration of the watchdog timer at the downstream side. A locality check failure due to mismatch of the value contained in the RTT_Response message and the most significant 128-bits of L also causes this transition.

Transition F2:F3. The downstream side implements SKE after successful completion of locality check.

State F3: Exchange k_s . The downstream side sends encrypted session key, $E_{dkey}(k_s)$, and r_{iv} to the HDCP Receiver as part of the SKE_Send_Eks message. It enables HDCP Encryption 200 ms after sending encrypted session key. HDCP Encryption must be enabled only after successful completion of AKE, locality check and SKE stages.

Transition F3:F4. This transition occurs after completion of SKE.

State F4: Test for Repeater. The downstream side evaluates the REPEATER value that was received in State F1.

Transition F4:F5. REPEATER is 'false' (the HDCP Receiver is not an HDCP Repeater).

State F5: Authenticated. At this time, and at no prior time, the downstream side has completed the authentication protocol and is fully operational, able to deliver HDCP Content.

A periodic Link Synchronization is performed to maintain cipher synchronization between the downstream side and the HDCP Receiver.

Transition F4:F6. REPEATER is 'true' (the HDCP Receiver is an HDCP Repeater).

State F6: Wait for Receiver ID List. The downstream side sets up a three-second watchdog timer after sending SKE_Send_Eks.

Transition F6:P1. The watchdog timer expires before the RepeaterAuth_Send_ReceiverID_List is received.

Transition F6:F7. RepeaterAuth_Send_ReceiverID_List message is received.

State F7: Verify Receiver ID List. The watchdog timer is cleared. If both MAX_DEVS_EXCEEDED and MAX_CASCADE_EXCEEDED are not 'true', computes V , and verifies $V == V'$. The *Receiver IDs* from this port are added to the Receiver ID list for this HDCP Repeater. The upstream HDCP Transmitter must be informed if topology maximums are exceeded

Transition F7:P1. This transition is made if $V != V'$. A MAX_CASCADE_EXCEEDED or MAX_DEVS_EXCEEDED error also causes this transition.

Transition F7:F5. This transition is made if $V == V'$, the downstream topology does not exceed specified maximums.

Note: Since authentication with repeaters is implemented in parallel with the flow of encrypted content and Link Synchronization, the link synchronization process (i.e. State F5) must be implemented asynchronously from the rest of the state diagram. The transition into State F5 must occur from any state for which encryption is currently enabled. Also, the transition from state F5 returns to the appropriate state to allow for undisrupted operation.

2.11.3 HDCP Repeater Upstream State Diagram

The HDCP Repeater upstream state diagram, illustrated in Figure 2.18, makes reference to states of the HDCP Repeater downstream state diagram. In this state diagram and its following description, the upstream (HDCP Receiver) side refers to the HDCP Receiver functionality within the HDCP Repeater for its corresponding upstream HDCP-protected Interface Port.

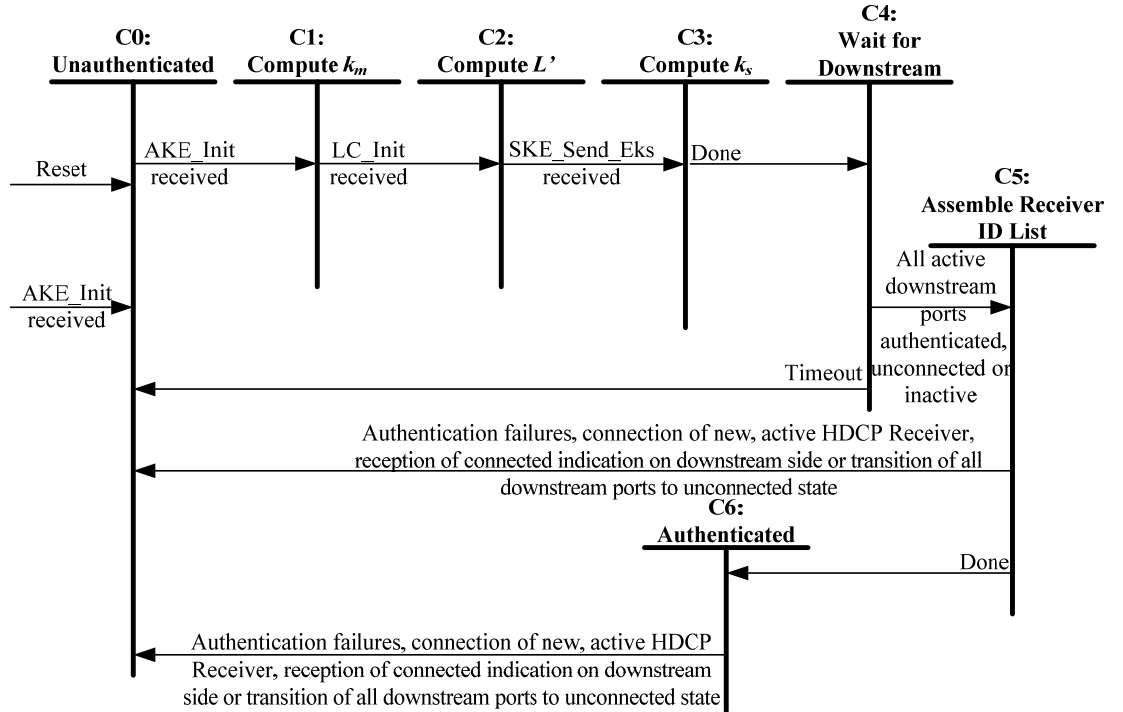


Figure 2.18. HDCP Repeater Upstream Authentication Protocol State Diagram

Transitions Any State:C0. Reset conditions at the HDCP Repeater cause the HDCP Repeater to enter the unauthenticated state. Re-authentication is forced any time AKE_Init is received from the connected HDCP Transmitter, with a transition through the unauthenticated state.

State C0: Unauthenticated. The device is idle, awaiting the reception of r_{rx} from the HDCP Transmitter to trigger the authentication protocol.

When the upstream side becomes unauthenticated due to any downstream HDCP-protected interface port transitioning to the unauthenticated state as a result of authentication failures, connection of a new, active HDCP Receiver on any downstream HDCP-protected interface port that previously did not have an active HDCP Receiver connected or reception of a RX_Connected on the downstream side from the connected HDCP Repeater, it propagates the RX_Connected to the upstream HDCP Transmitter. Authentication failures are indicated by Transition F1:P1, Transition F2:P1, Transition F6:P1 and Transition F7:P1.

If a previously authenticated HDCP Receiver connected to the downstream HDCP-protected interface port is re-connected and there were no intervening re-authentication requests from the upstream HDCP Transmitter during the time the HDCP Receiver was disconnected, the upstream side need not transition to the unauthenticated state. The downstream side may authenticate the connected HDCP Receiver, as explained in Section 2.11.1.

When all downstream HDCP-protected interface ports transition to the unconnected state, the upstream becomes unauthenticated and propagates the resulting RX_Disconnected to the upstream HDCP Transmitter.

Transition C0:C1. r_{rx} is received as part of the AKE_Init message from the HDCP Transmitter.

State C1: Compute k_m . In this state, the upstream (HDCP Receiver) side sends AKE_Send_Cert message in response to AKE_Init, generates and sends r_{rx} as part of AKE_Send_rrx message. If AKE_No_Stored_km is received, it decrypts k_m with $k_{priv_{rx}}$, calculates H' . It sends

AKE_Send_H_prime immediately after computation of H' to ensure that the message is received by the transmitter within the specified one second timeout at the transmitter

If **AKE_Stored_km** is received, the upstream side decrypts $E_{ki}(k_m)$ to derive k_m and calculates H' . It sends **AKE_Send_H_prime** message immediately after computation of H' to ensure that the message is received by the transmitter within the specified 200 ms timeout at the transmitter

If **AKE_No_Stored_km** is received, this is an indication to the upstream side that the HDCP Transmitter does not contain a k_m stored corresponding to its *Receiver ID*. It implements pairing with the HDCP Transmitter as explained in Section 2.2.1.

Transition C1:C2. The transition occurs when r_n is received as part of **LC_Init** message from the transmitter.

State C2: Compute L' . The upstream side computes L' required during locality check and sends **RTT_Response** message after receiving the **RTT_Challenge** message from the transmitter.

Transition C2: C3. The transition occurs when **SKE_Send_Eks** message is received from the transmitter.

State C3: Compute k_s . The upstream side decrypts $E_{dkey}(k_s)$ to derive k_s .

Transition C3: C4. Successful computation of k_s causes this transition.

State C4: Wait for Downstream. The upstream state machine waits for all downstream HDCP-protected Interface Ports of the HDCP Repeater to enter the unconnected (State P0), inactive or unauthenticated (State P1), or the authenticated state (State F5).

Transition C4:C0. The watchdog timer expires before all downstream HDCP-protected Interface Ports enter the authenticated, unconnected or inactive state.

Transition C4:C5. All downstream HDCP-protected Interface Ports with connected HDCP Receivers have reached the state of authenticated, unconnected or inactive state.

State C5: Assemble Receiver ID List. The upstream side assembles the list of all connected downstream topology HDCP Devices as the downstream HDCP-protected Interface Ports reach terminal states of the authentication protocol. An HDCP-protected Interface Port that advances to State P0, the unconnected state, or P1, the inactive state, does not add to the list. A downstream HDCP-protected Interface Port that arrives in State F5 that has an HDCP Receiver that is not an HDCP Repeater connected, adds the *Receiver ID* of the connected HDCP Receiver to the list. Downstream HDCP-protected Interface Ports that arrive in State F5 that have an HDCP Repeater connected will cause the Receiver ID list read from the connected HDCP Repeater, plus the *Receiver ID* of the connected HDCP Repeater itself, to be added to the list.

When the Receiver ID list for all downstream HDCP Receivers has been assembled, the upstream side computes **DEPTH**, **DEVICE_COUNT** and the upstream V' and sends **RepeaterAuth_Send_ReceiverID_List** message to the upstream HDCP Transmitter. In the case of a **MAX_DEVS_EXCEEDED** or a **MAX_CASCADE_EXCEEDED** error, it does not transmit V' and Receiver ID list. When an HDCP Repeater receives a **MAX_DEVS_EXCEEDED** or **MAX_CASCADE_EXCEEDED** error from a downstream HDCP Repeater, it is required to inform the upstream HDCP Transmitter.

Transition C5:C0. All authentication failures on the downstream side, connection of a new, active HDCP Receiver on the downstream HDCP-protected interface port that previously did not have an active downstream HDCP Receiver connected, reception of a **RX_Connected** on the downstream side from the connected HDCP Repeater or transition of all downstream ports to the unconnected

state cause this transition. This transition also occurs when topology maximums are exceeded. Authentication failures are indicated by Transition F1:P1, Transition F2:P1, Transition F6:P1 and Transition F7:P1.

If a previously authenticated HDCP Receiver connected to the downstream HDCP-protected interface port is re-connected and there were no intervening re-authentication requests from the upstream HDCP Transmitter during the time the HDCP Receiver was disconnected, the upstream side need not transition to the unauthenticated state. The downstream side may authenticate the connected HDCP Receiver, as explained in Section 2.11.1.

Transition C5:C6. RepeaterAuth_Send_ReceiverID_List message has been sent to the upstream HDCP Transmitter and topology maximums are not exceeded.

State C6: Authenticated. The upstream side has completed the authentication protocol. Periodically, it updates its *inputCtr* corresponding to the stream (as indicated by the StreamIndex in the MAC header) using the Secure Packet Counter value received from the transmitter.

Transition C6:C0. All authentication failures on the downstream side, connection of a new, active HDCP Receiver on the downstream HDCP-protected interface port that previously did not have an active downstream HDCP Receiver connected, reception of a RX_Connected on the downstream side from the connected HDCP Repeater or transition of all downstream ports to the unconnected state cause this transition. Authentication failures are indicated by Transition F1:P1, Transition F2:P1, Transition F6:P1 and Transition F7:P1.

If a previously authenticated HDCP Receiver connected to the downstream HDCP-protected interface port is re-connected and there were no intervening re-authentication requests from the upstream HDCP Transmitter during the time the HDCP Receiver was disconnected, the upstream side need not transition to the unauthenticated state. The downstream side may authenticate the connected HDCP Receiver, as explained in Section 2.11.1.

Note: Since authentication with repeaters is implemented in parallel with the flow of encrypted content and Link Synchronization, the link synchronization process (i.e. State C6) must be implemented asynchronously from the rest of the state diagram. The transition into State C6 must occur from any state for which encryption is currently enabled. Also, the transition from state C6 returns to the appropriate state to allow for undisrupted operation.

2.12 Converters

2.12.1 HDCP 2 – HDCP 1.x Converters

HDCP 2 – HDCP 1.x converters are HDCP Repeaters with an HDCP 2 compliant interface port on the upstream (HDCP Receiver) side and one or more HDCP 1.x compliant interface ports on the downstream (HDCP Transmitter) side.

The HDCP 1.x compliant downstream side implements the state diagram explained in the corresponding HDCP 1.x specification (See Section 1.5).

Note: Locality check is not implemented in the downstream HDCP-protected interface ports.

The HDCP 2 compliant upstream side implements the state diagram as explained in Section 2.11.3 with these modifications.

- **State C5: Assemble Receiver ID List.** The upstream side assembles the list of all connected downstream topology HDCP Devices as the downstream HDCP-protected Interface Ports reach terminal states of the authentication protocol. An HDCP-protected Interface Port that advances to the unconnected state or the inactive state does not add to the

list. A downstream HDCP-protected Interface Port that arrives in an authenticated state that has an HDCP Receiver that is not an HDCP Repeater connected, adds the *Bksv* of the connected HDCP Receiver to the Receiver ID list. Downstream HDCP-protected Interface Ports that arrive in an authenticated state that have an HDCP Repeater connected will cause the KSV list read from the connected HDCP Repeater, plus the *Bksv* of the connected HDCP Repeater itself, to be added to the list. KSVs are used in place of *Receiver IDs* and are added to the Receiver ID list in big-endian order

When the Receiver ID list (comprising KSVs of connected downstream HDCP 1.x Receivers, where the KSVs are added to the list in big-endian order) for all downstream HDCP Receivers has been assembled, the upstream side computes DEPTH, DEVICE_COUNT and the upstream V' and sends RepeaterAuth_Send_ReceiverID_List message to the upstream HDCP Transmitter. In the case of a MAX_DEVS_EXCEEDED or a MAX_CASCADE_EXCEEDED error, it does not transmit V' and Receiver ID list. When an HDCP Repeater receives a MAX_DEVS_EXCEEDED or MAX_CASCADE_EXCEEDED error from a downstream HDCP Repeater, it is required to inform the upstream HDCP Transmitter.

2.12.2 HDCP 1.x – HDCP 2 Converters

HDCP 1.x – HDCP 2 converters are HDCP Repeaters with an HDCP 1.x compliant interface port on the upstream (HDCP Receiver) side and one or more HDCP 2 compliant interface ports on the downstream (HDCP Transmitter) side.

The HDCP 1.x compliant upstream side implements the state diagram explained in the corresponding HDCP 1.x specification (See Section 1.5). When any downstream HDCP-protected interface port transitions to the unauthenticated state as a result of authentication failures or connection of a new, active HDCP Receiver, the upstream side becomes unauthenticated.

The HDCP 2 compliant downstream side implements the state diagram as explained in Section 2.11.2 with these modifications.

- **State F7: Verify Receiver ID List.** The watchdog timer is cleared. If both MAX_DEVS_EXCEEDED and MAX_CASCADE_EXCEEDED are not 'true', computes V , and verifies $V == V'$. The *Receiver IDs* from this port are used in place of KSVs and are added to the KSV list for this HDCP Repeater. KSV list is constructed by appending *Receiver IDs* in little-endian order. The upstream HDCP Transmitter must be informed if topology maximums are exceeded.

If authentication with repeaters is implemented in parallel with the flow of encrypted content and Link Synchronization, the link synchronization process (i.e. State F5) must be implemented asynchronously from the rest of the state diagram.

2.13 Session Key Validity

When HDCP Encryption is disabled, the transmitter and receiver ceases to perform HDCP Encryption (Section 3.4) and stops incrementing the *inputCtr*.

If HDCP Encryption was disabled, from its enabled state, due to the detection of RX_Connected, RX_Disconnected or authentication failures, the session key expires. The most upstream HDCP Transmitter initiates re-authentication by the transmission of a new r_{ix} . In all other cases, where HDCP Encryption was disabled, from its enabled state, while the link was still active and authenticated (for e.g., HDCP Encryption may be briefly disabled during transmission of low value content), the session key does not expire. The HDCP Transmitter maintains the encryption parameters (associated with the corresponding StreamIndex) used during the HDCP Session i.e. *inputCtr* value after the last HDCP Encryption operation (after which HDCP Encryption was disabled), k_s and r_{iv} . When re-enabled, HDCP

Encryption is applied seamlessly, without requiring re-authentication, by using the same encryption parameters.

If HDCP Encryption was disabled, from its enabled state, the HDCP Receiver maintains k_s and r_{iv} used during the HDCP Session. If encryption was re-enabled, without intervening re-authentication requests from the transmitter, the HDCP Receiver uses the same k_s and r_{iv} . It updates its *inputCtr* corresponding to the stream as described in Section 2.6 on Link Synchronization.

2.14 Random Number Generation

Random number generation is required both in the HDCP Transmitter logic and in the HDCP Receiver logic. Counter mode based deterministic random bit generator using AES-128 block cipher specified in NIST SP 800-90 is the recommended random number generator. The minimum entropy requirement for random values that are not used as secret key material (i.e. r_{tx} , r_{rx} , r_{iv} , r_n) is 40 random bits out of 64-bits. This means that a reasonable level of variability or entropy is established if out of 1,000,000 random (r_{tx} , r_{rx} , r_{iv} or r_n) values collected after the first authentication attempt (i.e. after power-up cycles on the HDCP Transmitter or HDCP Receiver logic), the probability of there being any duplicates in this list of 1,000,000 random values is less than 50%.

For randomly generated secret key material (k_m , k_s) the minimum entropy requirement is 128-bits of entropy (i.e. the probability of there being any duplicates in the list of 2^{64} secret values (k_m or k_s) collected after power-up and first authentication attempt on the HDCP Transmitter logic is less than 50%).

A list of possible entropy sources that may be used for generation of random values used as secret key material include

- a true Random Number Generator or analog noise source, even if a poor (biased) one
- a pseudo-random number generator (PRNG), seeded by a true RNG with the required entropy, where the state is stored in non-volatile memory after each use. The state must be kept secret. Flash memory or even disk is usable for this purpose as long as it is secure from tampering.

A list of possible entropy sources that may be used for generation of random values not used as secret key material include

- timers, network statistics, error correction information, radio/cable television signals, disk seek times, etc.
- a reliable (not manipulatable by the user) calendar and time-of-day clock. For example, some broadcast content sources may give reliable date and time information.

3 HDCP Encryption

3.1 Description

Figure 3.1 shows how HDCP fits in to the WirelessHD protocol stack. The link consists of two constituent links: a unidirectional high-speed stream transporting the AV content, and a lower-speed bidirectional link used for control / status.

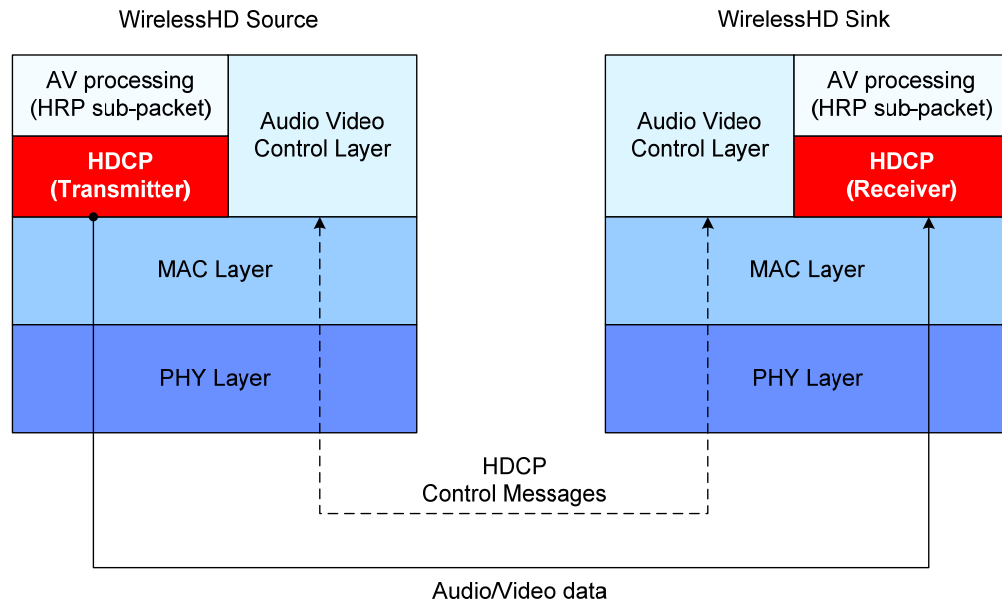


Figure 3.1. WirelessHD with HDCP Block Diagram (Informative)

Video in the HDCP Transmitter is assumed to be a stream of uncompressed pixel samples, together with any associated audio or data streams, they are carried over the WirelessHD channel as HRP packetized streams specified in [3].

3.2 AV Stream

WirelessHD AV streams are packetized and carried in the sub-packet(s) payload. The HRP packet payload consists of sub-packets. Each sub-packet contains either Video, Audio or Data. Only the Audio and video sub-packets are subject to HDCP Encryption. Audio and video may be in compressed or uncompressed form

3.3 Abbreviations

byte – a digital word 8 bits in length.

uint – unsigned integer, an integral number of bytes in length.

bool – a parameter one byte in length. The parameter is ‘true’ if the least-significant bit is non-zero, and false otherwise.

3.4 HDCP Cipher

The HDCP Cipher consists of a 128-bit AES module that is operated in a Counter (CTR) mode as illustrated in Figure 3.2.

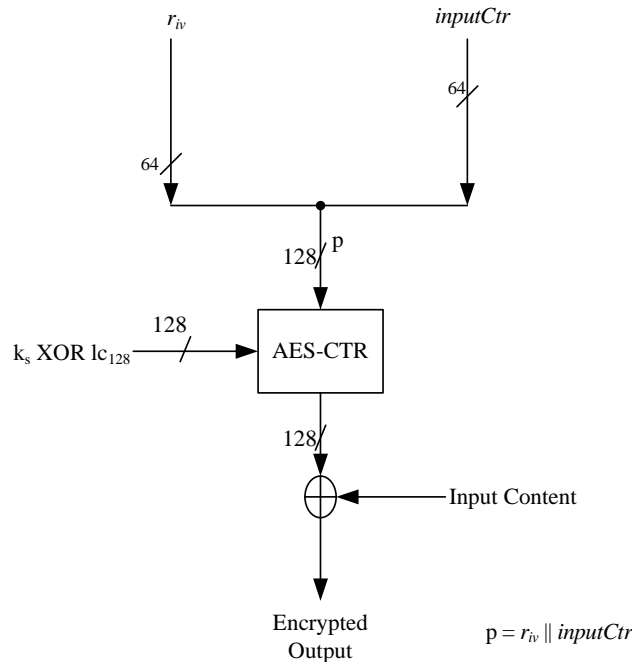


Figure 3.2. HDCP Cipher Structure

k_s is the 128-bit session key which is XORed with lc_{128} .

$p = r_{iv} \parallel inputCtr$. All values are in big-endian order.

To reduce errors inherent in the wireless link and bandwidth overhead, $inputCtr$ is derived in both the HDCP Transmitter and HDCP Receiver.

$inputCtr$ is a 64-bit counter. It is derived from the Secure Packet Counter by appending 24 0s to the 40-bit Secure Packet Counter. The Secure Packet Counter is transmitted to the HDCP Receiver in the MAC Header during Link Synchronization. Local values of $inputCtr$ are incremented for each 128-bit block of AES data. The $inputCtr$ value will be re-synchronized at the beginning of each MAC packet.

$inputCtr[63:24] = \text{Secure Packet Counter}$; $inputCtr[23:0] = 0$ – incremented locally for each 128-bit AES data block

During any given HDCP Session, there may be multiple simultaneous streams each identified by StreamIndex field. (Refer to [3] for details about StreamIndex. Each HRP MAC packet contains portion of one WirelessHD stream, which is identified by the StreamIndex field in the MAC header of the HRP packet. The StreamIndex value is distinct for each WirelessHD stream.

HDCP Encryption must be applied to HRP Sub-packet payloads ; HRP Headers and HRP sub-packet Headers must not be encrypted.

During HDCP Encryption, the key stream produced by the AES-CTR module is XORed with 128-bit (16 Byte) block of payload data to produce the 128-bit encrypted output. $inputCtr$ associated with a WirelessHD stream is incremented by one following encryption of 128-bit block of payload data for that WirelessHD stream. The value of $inputCtr$ must never be reused for a given set of encryption parameters associated with a StreamIndex i.e. k_s and r_{iv} .

The 16 Byte encryption block boundary must be aligned with the start of the each sub-packet payload (if present) in the HRP packet. If the last block in an encrypted sub-packet payload is less than 16 Bytes, only the encrypted payload bytes must be transmitted; i.e. the unused key stream bits produced by the AES-CTR module must be discarded, and not carried over to a subsequent sub-packet payload.

Bit ordering is such that the least significant byte of the 16 Byte (128-bit) key stream produced by AES-CTR module is XORed with the first byte in time in the 16 Byte payload data block.

3.5 Uniqueness of k_s and r_{iv}

HDCP Receivers and HDCP Repeaters with multiple inputs may share the same Public Key Certificates and Private Keys across all inputs. The HDCP Transmitter (including downstream side of HDCP Repeater) must negotiate distinct k_m with each directly connected downstream HDCP Device. While r_{ix} used during each HDCP Session is required to be fresh, transmitters with multiple downstream HDCP links must ensure that each link receives a distinct r_{ix} value.

As illustrated in Figure 3.3, HDCP Transmitters, including downstream side of HDCP Repeaters, with multiple downstream HDCP links may share the same k_s and r_{iv} across those links only if HDCP Content from the same HDCP Cipher module is transmitted to those links.

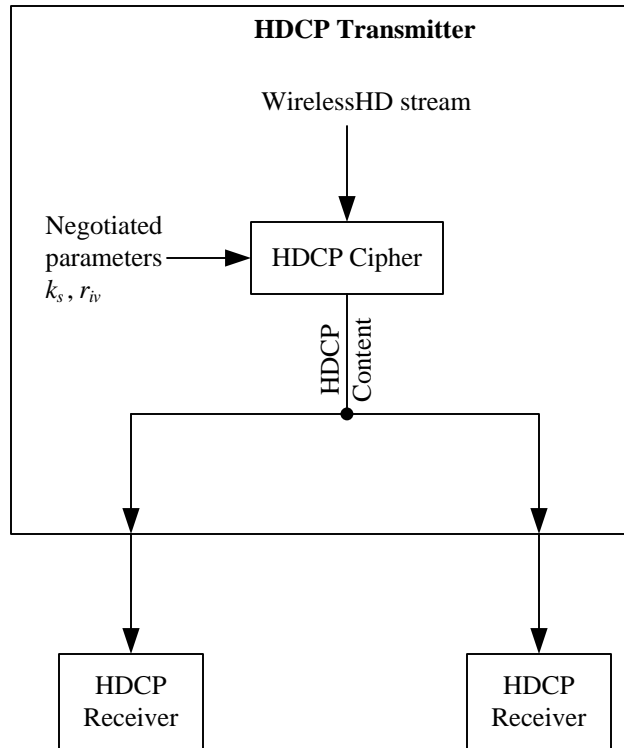


Figure 3.3. k_s and r_{iv} Shared across HDCP Links

As illustrated in Figure 3.4, HDCP Transmitters, including downstream side of HDCP Repeaters, with multiple downstream HDCP links must ensure that each link receives distinct k_s and r_{iv} values if HDCP Content from different HDCP Cipher modules is transmitted to those links.

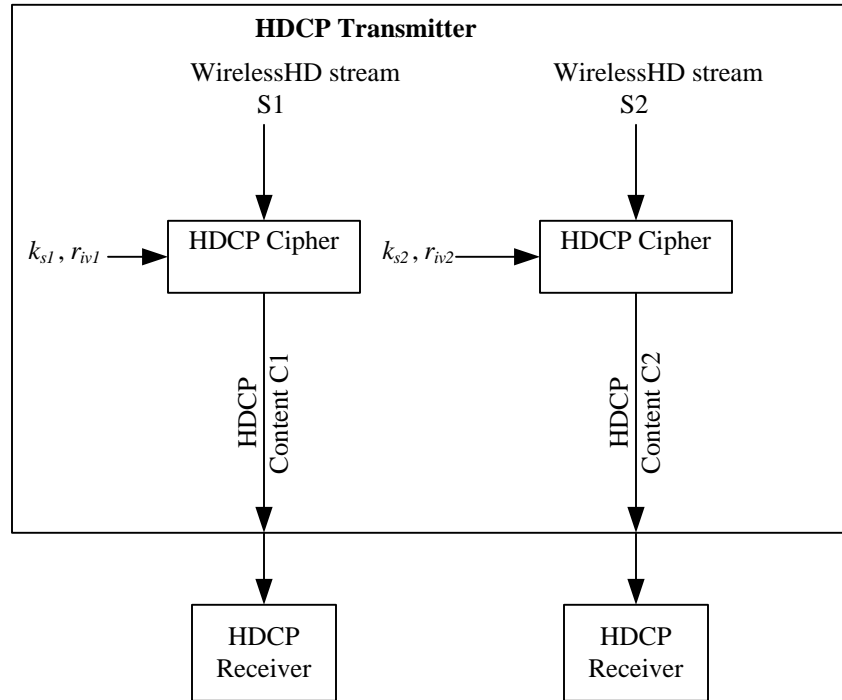


Figure 3.4. Unique k_s and r_{iv} across HDPC Links

4 Authentication Protocol Messages

4.1 HDCP Control / Status Stream in WirelessHD

WirelessHD specification provides a bidirectional control mechanism for passing HDCP authentication protocol messages between transmit and receive devices. Please refer to [3] for details

Each Control/Status message begins with a `msg_id` field. Valid values of `msg_id` are shown in Table 4.1.

Message Type	msg_id Value
Null message	1
AKE_Init	2
AKE_Send_Cert	3
AKE_No_Stored_km	4
AKE_Stored_km	5
AKE_Send_rrx	6
AKE_Send_H_prime	7
AKE_Send_Pairing_Info	8
LC_Init	9
RTT_Ready	10
RTT_Challenge	11
RTT_Response	12
SKE_Send_Eks	13
RepeaterAuth_Send_ReceiverID_List	14
Reserved	15-31

Table 4.1. Values for msg_id

A reliable, bidirectional packet protocol is used to transport messages used for the HDCP authentication protocol from the HDCP Transmitter to the HDCP Receiver, and vice versa.

Each packet must contain exactly one message. Each packet payload commences with a `msg_id` specifying the message type, followed by parameters specific to each message.

Note:

- The use of the Null message and Reserved values for `msg_id` are not defined in this specification.

4.2 Message Format

4.2.1 AKE_Init (Transmitter to Receiver)

Syntax	No. of Bytes	Identifier
<pre> AKE_Init { msg_id rrx[63..0] } </pre>	<p>1</p> <p>8</p>	<p>uint</p> <p>uint</p>

Table 4.2. AKE_Init Payload

4.2.2 AKE_Send_Cert (Receiver to Transmitter)

The HDCP Receiver sets REPEATER to 'true' if it is an HDCP Repeater and 'false' if it is an HDCP Receiver that is not an HDCP Repeater. When REPEATER = 'true', the HDCP Receiver supports downstream connections as permitted by the Digital Content Protection LLC license.

Syntax	No. of Bytes	Identifier
AKE_Send_Cert { msg_id REPEATER cert _{rx} [4175..0] }	1 1 522	uint bool uint

Table 4.3. AKE_Send_Cert Payload

4.2.3 AKE_No_Stored_km (Transmitter to Receiver)

Syntax	No. of Bytes	Identifier
AKE_No_Stored_km { msg_id E _{k_{pub},k_m} [1023..0] }	1 128	uint uint

Table 4.4. AKE_No_Stored_km Payload

4.2.4 AKE_Stored_km (Transmitter to Receiver)

Syntax	No. of Bytes	Identifier
AKE_Stored_km { msg_id E _{k_t,k_m} [127..0] m[127..0] }	1 16 16	uint uint uint

Table 4.5. AKE_Stored_km Payload

4.2.5 AKE_Send_rrx (Receiver to Transmitter)

Syntax	No. of Bytes	Identifier
AKE_Send_rrx { msg_id r _{rx} [63..0] }	1 8	uint uint

Table 4.6. AKE_Send_rrx Payload

4.2.6 AKE_Send_H_prime (Receiver to Transmitter)

Syntax	No. of Bytes	Identifier
AKE_Send_H_prime { msg_id H [255..0] }	1 32	uint uint

Table 4.7. AKE_Send_H_prime Payload

4.2.7 AKE_Send_Pairing_Info (Receiver to Transmitter)

Syntax	No. of Bytes	Identifier
AKE_Send_Pairing_Info{ msg_id $E_{kh_k_m}[127..0]$ }	1 16	uint uint

Table 4.8. AKE_Send_Pairing_Info Payload

4.2.8 LC_Init (Transmitter to Receiver)

Syntax	No. of Bytes	Identifier
LC_Init { msg_id $r_i[63..0]$ }	1 8	uint uint

Table 4.9. LC_Init Payload

4.2.9 RTT_Ready (Receiver ready for RTT challenge)

Syntax	No. of Bytes	Identifier
RTT_Challenge{ msg_id }	1	uint

Table 4.10. RTT_Ready

4.2.10 RTT_Challenge (Transmitter to Receiver)

Syntax	No. of Bytes	Identifier
RTT_Challenge{ msg_id $L[127..0]$ }	1 16	uint uint

Table 4.11. RTT_Challenge Payload

4.2.11 RTT_Response (Receiver to Transmitter)

Syntax	No. of Bytes	Identifier
RTT_Response{ msg_id $L'[255..128]$ }	1 16	uint uint

Table 4.12. RTT_Response Payload

4.2.12 SKE_Send_Eks (Transmitter to Receiver)

Syntax	No. of Bytes	Identifier
SKE_Send_Eks{ msg_id $E_{dkey_k_s}[127..0]$ $r_{iv}[63..0]$ }	1 16 8	uint uint unit

Table 4.13. SKE_Send_Eks Payload

4.2.13 RepeaterAuth_Send_ReceiverID_List (Receiver to Transmitter)

Receiver ID list is constructed by appending *Receiver IDs* in big-endian order.

Receiver ID list = $Receiver\ ID_0 \parallel Receiver\ ID_1 \parallel \dots \parallel Receiver\ ID_{n-1}$, where n is the DEVICE_COUNT.

If the computed DEVICE_COUNT for an HDCP Repeater exceeds 31, the repeater sets MAX_DEVS_EXCEEDED = 'true'. If the computed DEPTH for an HDCP Repeater exceeds four, the repeater sets MAX_CASCADE_EXCEEDED = 'true'. If topology maximums are not exceeded, MAX_DEVS_EXCEEDED = 'false' and MAX_CASCADE_EXCEEDED = 'false'

Syntax	No. of Bytes	Identifier
RepeaterAuth_Send_ReceiverID_List{ msg_id MAX_DEVS_EXCEEDED MAX_CASCADE_EXCEEDED if (MAX_DEVS_EXCEEDED != 1 && MAX_CASCADE_EXCEEDED != 1) { DEVICE_COUNT DEPTH V[255..0] for (j=0; j< DEVICE_COUNT; j++) { $Receiver_ID_j[39..0]$ } } }	1 1 1 1 1 1 32 5	uint bool bool uint uint uint uint

Table 4.14. RepeaterAuth_Send_ReceiverID_List Payload

5 Renewability

It is contemplated that an authorized participant in the authentication protocol may become compromised so as to expose the RSA private keys it possesses for misuse by unauthorized parties. In consideration of this, each HDCP Receiver is issued a unique Receiver ID which is contained in *cert_{rx}*. Through a process defined in the HDCP Adopter's License, the Digital Content Protection LLC may determine that an HDCP Receiver's RSA private key, *kpriv_{rx}*, has been compromised. If so, it places the corresponding Receiver ID on a revocation list that the HDCP Transmitter checks during authentication.

The HDCP Transmitter is required to manage system renewability messages (SRMs) carrying the Receiver ID revocation list. The validity of an SRM is established by verifying the integrity of its signature with the Digital Content Protection LLC public key, which is specified by the Digital Content Protection LLC.

For interoperability with HDCP 1.x, KSVs of revoked HDCP 1.x devices will be included in the HDCP 2 SRM, in addition to the HDCP 1.x SRM. Similarly, Receiver IDs of revoked HDCP 2 devices will be included in the HDCP 1.x SRM, in addition to the HDCP 2 SRM.

The SRMs are delivered with content and must be checked when available. The Receiver IDs must immediately be checked against the SRM when a new version of the SRM is received. Additionally, devices compliant with HDCP 2.0 and higher must be capable of storing at least 5kB of the SRM in their non-volatile memory. The process by which a device compliant with HDCP 2.0 or higher updates the SRM stored in its non-volatile storage when presented with a newer SRM version is explained in Section 5.2.

5.1 SRM Size and Scalability

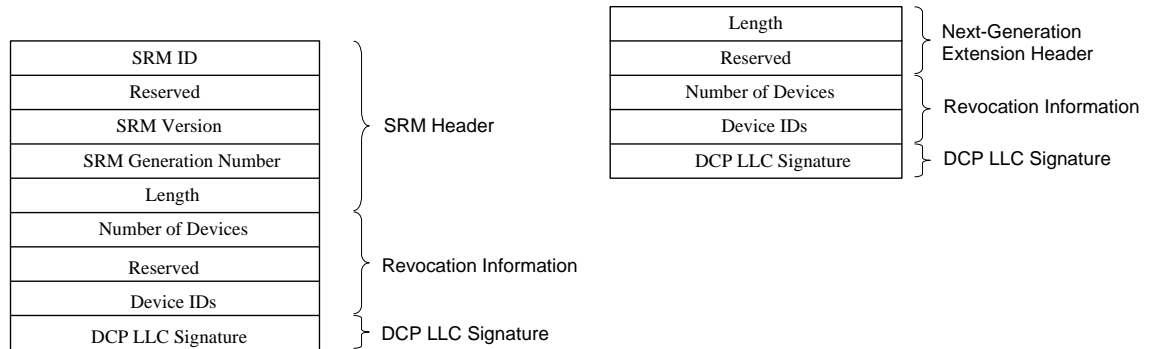
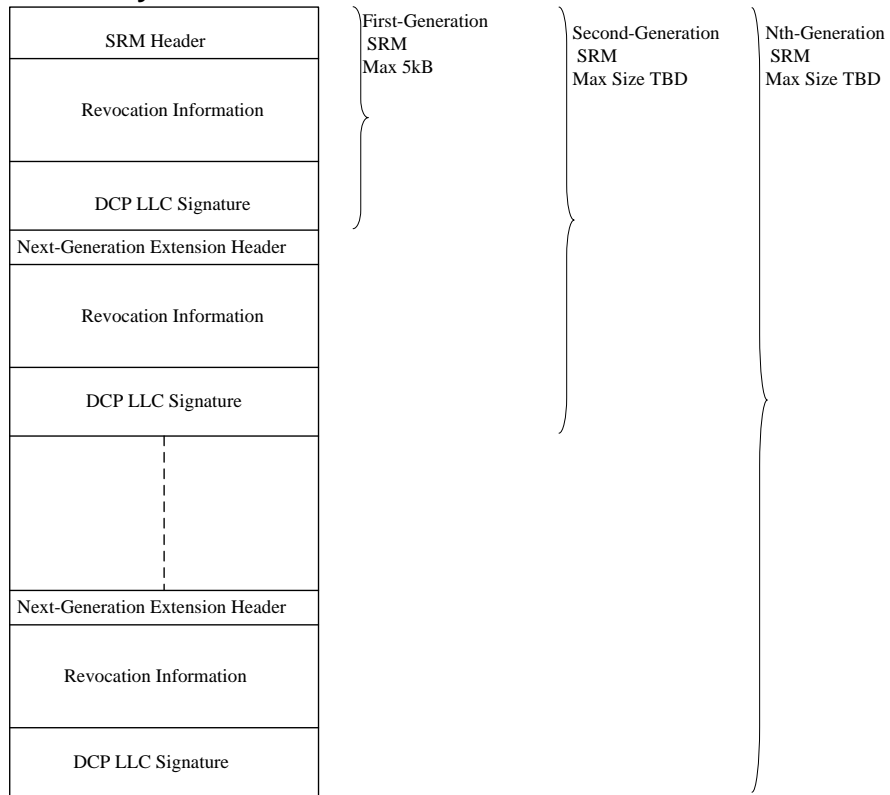


Figure 5.1. SRM Generational Format

As illustrated in Figure 5.1, the size of the First-Generation HDCP SRM will be limited to a maximum of 5kB. The actual size of the First-Generation SRM is 5116 bytes. For scalability of the SRM, the SRM format supports next-generation extensions. By supporting generations of SRMs, an HDCP SRM can, if required in future, grow beyond the 5kB limit to accommodate more Receiver IDs. Next-generation extensions are appended to the current-generation SRM in order to ensure backward compatibility with devices that support only previous-generation SRMs.

Table 5.1 gives the format of the HDCP 2 SRM. All values are stored in big endian format.

Name	Size (bits)	Function
SRM ID	4	A value of 0x9 signifies that the message is for HDCP2. All other values are reserved. SRMs with values other than 0x9 must be ignored.

HDCP2 Indicator	4	A value of 0x1 signifies that the message is for HDCP2
Reserved	8	Reserved for future definition. Must be 0x00
SRM Version	16	Sequentially increasing unique SRM numbers. Higher numbered SRMs are more recent
SRM Generation Number	8	Indicates the generation of the SRM. The generation number starts at 1 and increases sequentially
Length	24	Length in bytes and includes the combined size of this field (three bytes) and all following fields contained in the first-generation SRM i.e. size of this field, Number of Devices field, Reserved (22 bits) field, Device IDs field and Digital Content Protection LLC signature field (384 bytes) in the first-generation SRM
Number of Devices	10	Specifies the number (N1) of Receiver IDs / KSVs contained in the first-generation SRM
Reserved	22	Reserved for future definition. All bits set to 0
Device IDs	40 * N1 Max size for this field is 37760 (4720 bytes)	40-bit Receiver IDs / KSVs
DCP LLC Signature	3072	A cryptographic signature calculated over all preceding fields of the SRM. RSASSA-PKCS1-v1_5 is the signature scheme used as defined by PKCS #1 V2.1: RSA Cryptography Standard. SHA-256 is the underlying hash function

Table 5.1. System Renewability Message Format

Each subsequent next-generation extensions to the first-generation SRM will have the following fields.

Name	Size (bits)	Function
Length	16	Length in bytes and includes the combined size of this field (two bytes) and all following fields contained in this next-generation extension i.e. size of this field, Number of Devices field, Reserved (6 bits) field, Device IDs field and Digital Content Protection LLC signature field (384 bytes) in this next-generation SRM
Reserved	6	Reserved for future definition. All bits set to 0
Number of Devices	10	Specifies the number (N2) of Receiver IDs / KSVs contained in this next generation extension
Device IDs	40 * N2	40-bit Receiver IDs / KSVs
DCP LLC Signature	3072	A cryptographic signature calculated over all preceding fields of the SRM. RSASSA-PKCS1-v1_5 is the signature scheme used as defined by PKCS #1 V2.1: RSA Cryptography Standard. SHA-256 is the underlying hash function

Table 5.2. Next-generation extension format

5.2 Updating SRMs

The stored HDCP SRM must be updated when a newer version of the SRM is delivered with the content. The procedure for updating an SRM is as follows:

1. Verify that the version number of the new SRM is greater than the version number of the SRM currently stored in the device's non-volatile storage

2. If the version number of the new SRM is greater (implying that it is a more recent version), verify the signature on the new SRM

On successful signature verification, replace the current SRM in the device's non-volatile storage with the new SRM. If, for instance, the device supports only second-generation SRMs and the new SRM is a third-generation SRM, the device is not required to store the third-generation extension. Devices compliant with HDCP 2.0 or higher must be capable of storing at least 5kB (actual size is 5116 bytes) of the SRM (First-Generation SRM).

Appendix A. Confidentiality and Integrity of Values

Table A.1 identifies the requirements of confidentiality and integrity for values within the protocol. A *confidential* value must never be revealed. The *integrity* of many values in the system is protected by fail-safe mechanisms of the protocol. Values that are not protected in this manner require active measures beyond the protocol to ensure integrity. Such values are noted in the table as requiring integrity.

Value	Confidentiality Required [±] ?	Integrity Required [±] ?
lc_{128}	Yes	Yes
$kpub_{dcp}$	No	Yes
$cert_{rx}$	No	No
$kpub_{rx}$	No	Yes
Receiver ID	No	Yes
$kpriv_{rx}$	Yes	Yes
r_{tx}	No	Yes*
r_{iv}	No	Yes*
REPEATER	No	Yes
r_{rx}	No	Yes**
k_m	Yes	Yes*
k_d	Yes	Yes*
$dkey_i$	Yes	Yes*
H	Yes	Yes
H'	No	No
m	No	No
k_h	Yes	Yes
r_n	No	Yes*

[±] According to the robustness rules in the HDCP Adopter's License

* Only within the transmitter

* Only within the transmitter

** Only within the receiver

L	No	Yes
<i>L'</i>	No	No
<i>k_s</i>	Yes	Yes*
<i>V</i>	Yes	Yes
<i>V'</i>	No	No
Receiver ID list	No	Yes
DEPTH	No	Yes
DEVICE_COUNT	No	Yes
MAX_DEVS_EXCEEDED	No	Yes
MAX_CASCADE_EXCEEDED	No	Yes
<i>inputCtr</i>	No	Yes*
p	No	Yes*

Table A.1. Confidentiality and Integrity of Values

Appendix B. DCP LLC Public Key

Table B.1 gives the production DCP LLC public key.

Parameter	Value (hexadecimal)	
Modulus n	B0E9 AA45 F129 BA0A 1CBE 1757 28EB 2B4E	
	8FD0 C06A AD79 980F 8D43 8D47 04B8 2BF4	
	1521 5619 0140 013B D091 9062 9E89 C227	
	8ECF B6DB CE3F 7210 5093 8C23 2983 7B80	
	64A7 59E8 6167 4CBC D858 B8F1 D4F8 2C37	
	9816 260E 4EF9 4EEE 24DE CCD1 4B4B C506	
	7AFB 4965 E6C0 0083 481E 8E42 2A53 A0F5	
	3729 2B5A F973 C59A A1B5 B574 7C06 DC7B	
	7CDC 6C6E 826B 4988 D41B 25E0 EED1 79BD	
	3985 FA4F 25EC 7019 23C1 B9A6 D97E 3EDA	
	48A9 58E3 1814 1E9F 307F 4CA8 AE53 2266	
	2BBE 24CB 4766 FC83 CF5C 2D1E 3AAB AB06	
	BE05 AA1A 9B2D B7A6 54F3 632B 97BF 93BE	
	C1AF 2139 490C E931 90CC C2BB 3C02 C4E2	
	BDBD 2F84 639B D2DD 783E 90C6 C5AC 1677	
	2E69 6C77 FDED 8A4D 6A8C A3A9 256C 21FD	
	B294 0C84 AA07 2926 46F7 9B3A 1987 E09F	
	EB30 A8F5 64EB 07F1 E9DB F9AF 2C8B 697E	
	2E67 393F F3A6 E5CD DA24 9BA2 7872 F0A2	
	27C3 E025 B4A1 046A 5980 27B5 DAB4 B453	
	973B 2899 ACF4 9627 0F7F 300C 4AAF CB9E	
	D871 2824 3EBC 3515 BE13 EBAF 4301 BD61	
	2454 349F 733E B510 9FC9 FC80 E84D E332	
	968F 8810 2325 F3D3 3E6E 6DBB DC29 66EB	
	Public Exponent e	03

Table B.1. DCP LLC Public Key

Appendix C. Bibliography (Informative)

These documents are not normatively referenced in this specification, but may provide useful supplementary information.

WirelessHD specification. See www.wirelessHD.org

Appendix D. Test Vectors

Facsimile Keys

Note: The facsimile keys provided must be used ONLY for test purposes.

All values are provided in big-endian order.

Table D.1 provides facsimile key information for transmitter T1.

	Value in Hex
Global Constant $1C_{128}$	93 ce 5a 56 a0 a1 f4 f7 3c 65 8a 1b d2 ae f0 f7

Table D.1

Table D.2 provides the facsimile public parameters associated with the DCP LLC key $k_{pub_{dcp}}$. These parameters are used only for test purposes. They are not used in production devices or SRMs.

	Value in Hex
Modulus n	A2 C7 55 57 54 CB AA A7 7A 27 92 C3 1A 6D C2 31 CF 12 C2 24 BF 89 72 46 A4 8D 20 83 B2 DD 04 DA 7E 01 A9 19 EF 7E 8C 47 54 C8 59 72 5C 89 60 62 9F 39 D0 E4 80 CA A8 D4 1E 91 E3 0E 2C 77 55 6D 58 A8 9E 3E F2 DA 78 3E BA D1 05 37 07 F2 88 74 0C BC FB 68 A4 7A 27 AD 63 A5 1F 67 F1 45 85 16 49 8A E6 34 1C 6E 80 F5 FF 13 72 85 5D C1 DE 5F 01 86 55 86 71 E8 10 33 14 70 2A 5F 15 7B 5C 65 3C 46 3A 17 79 ED 54 6A A6 C9 DF EB 2A 81 2A 80 2A 46 A2 06 DB FD D5 F3 CF 74 BB 66 56 48 D7 7C 6A 03 14 1E 55 56 E4 B6 FA 38 2B 5D FB 87 9F 9E 78 21 87 C0 0C 63 3E 8D 0F E2 A7 19 10 9B 15 E1 11 87 49 33 49 B8 66 32 28 7C 87 F5 D2 2E C5 F3 66 2F 79 EF 40 5A D4 14 85 74 5F 06 43 50 CD DE 84 E7 3C 7D 8E 8A 49 CC 5A CF 73 A1 8A 13 FF 37 13 3D AD 57 D8 51 22 D6 32 1F C0 68 4C A0 5B DD 5F 78 C8 9F 2D 3A A2 B8 1E 4A E4 08 55 64 05 E6 94 FB EB 03 6A 0A BE 83 18 94 D4 B6 C3 F2 58 9C 7A 24 DD D1 3A B7 3A B0 BB E5 D1 28 AB AD 24 54 72 0E

	76 D2 89 32 EA 46 D3 78 D0 A9 67 78 C1 2D 18 B0 33 DE DB 27 CC B0 7C C9 A4 BD DF 2B 64 10 32 44 06 81 21 B3 BA CF 33 85 49 1E 86 4C BD F2 3D 34 EF D6 23 7A 9F 2C DA 84 F0 83 83 71 7D DA 6E 44 96 CD 1D 05 DE 30 F6 1E 2F 9C 99 9C 60 07
Public Exponent e	03

Table D.2

Table D.3 and Table D.4 provide the facsimile certificates ($cert_{rx}$) for receivers R1 and R2.

As provided in Table 2.1 of High-bandwidth Digital Content Protection System, Revision 2.0, Mapping HDCP to WirelessHD specification, the certificate format consists of 40-bit Receiver ID, followed by 1048-bit Receiver Public Key, 16-bit Reserved and 3072-bit Signature fields. All values are stored in big-endian format.

For example, in Table D.3, 0x745bb8bd04 is the Receiver ID which is followed by Receiver Public Key, Reserved and Signature fields.

	Value (Sequence of Hexadecimal bytes) for R1
Certificate ($cert_{rx}$)	74 5b b8 bd 04 bc 83 c7 95 78 f9 0c 91 4b 89 38 05 5a a4 ac 1f a8 03 93 82 79 75 af 66 22 de 43 80 8d cd 5d 90 b8 3c b3 d8 9e b0 0d 09 44 f4 3f 5f ab b9 c4 c9 96 ef 78 b5 8f 69 77 b4 7d 08 14 9c 81 a0 8f 04 1f a0 88 e1 20 c7 34 4a 49 35 65 99 cf 53 19 f0 c6 81 76 05 5c b9 de dd ab 3d b0 92 a1 23 4f 0c 71 30 42 78 f6 55 ae bd 36 25 8e 25 0d 4e 5e 8e 77 6a 60 e3 c1 e9 ee cd 2b 9e 18 63 97 d4 e6 75 01 00 01 00 00 1d 0a 61 ea ab f8 a8 2b 02 69 a1 34 fd 91 ac 2b f2 8f 34 8b d4 84 fa 62 bc 01 4a 4a a2 b2 14 bf b5 f4 df ac 80 93 0d 13 ec 9c e5 d8 34 70 51 9a 66 80 eb be cc 7e 45 f0 e6 39 63 84 c9 b9 8e 8c af 9c a9 d4 0e eb 9a 57 2a 17 41 ca 97 f3 19 96 b5 5d 0f 30 a3 84 e5 73 a2 ed 05 69 7a 22 ce 84 1f 3e 39 9e 28 76 c9 bc 89 5b 70 b1 7b f4 ed b6 74 12 ab 48 29 64 ce 6c 60 04 eb a9 7a a2 15 a6 58 9a ad 32 c7 53 39 e5 fe f0 37 a7 a0 c5 ff ec d9 b0 05 bb 25 13 a0 a4 c7 0b 2a 5d c6 8f 51 11 cb 36 ed 5c 17 7e 22 20 c3 eb 40 8c 67 bb 1c d2 47 b0 e0 bd e7 4c cd 5d d5 23 12 f8 3b 1d 91 3b f3 c7 60 ea 90 24 48 e5 92 21 6c f6 d9 5e 76 8d 2b 86 a6 7c 16 ae a8 36 08 a0 37 14 1a d7 03 e1 40 31 ca 6c 95 e0 10 b0 43 cf b7 e0 30 05 b9 ac b7 08 68 cd 7e 11 47 2a 03 3b eb 74 c8 19 62 8b 2f 11 91 b6 06 4f e0 2a 44 20 43 29 13 1f dd d0 4a 11 6c 0e 83 bf 22 62 3b eb ec d7 76 28 ba 64 88 42 c8 73 a7 9e 4a 69 3a b2 0c 4b

3a d9 50 db 7c 51 ee 15 e0 6b 2c 63 a6 91 57
dd bf 17 47 23 ad 15 cb b9 91 18 0b 51 8f f9
1c 51 67 c1 0b 78 f5 d9 55 dc 48 e4 c0 83 a5
df 75 e2 dc 88 d2 c6 dd df 1f 37 90 35 f6 fd
da e0 04 32 69 c1 af d9 f9 11 c5 aa 74 58 32
1c 71 aa a7 14 fb 23 17 22

Table D.3

	Value (Sequence of Hexadecimal bytes) for R2
Certificate (<i>cert_{rx}</i>)	8b a4 47 42 fb c9 1b 82 e2 76 7f 90 4f e9 12
	33 7c 21 1f 7b 25 da 76 de ae 59 70 f7 c2 e7
	e0 4a cf bd 5b ba 1c 36 4e e3 78 4c 92 6a 3c
	d8 c1 e9 51 a9 35 eb d8 e8 d5 3e 3b 1d 00 c1
	16 16 d0 58 eb 2a 4b a0 76 9c d0 e4 b2 23 dc
	aa 37 07 e5 85 1a aa 13 55 01 4e ed 88 ca 3f
	fb c5 58 46 91 ec 35 99 08 1c a1 22 64 e8 3c
	2e 70 df a9 10 14 81 46 a2 38 08 ef 1b d2 46
	ee 38 0d 6d 92 d3 f2 02 e7 e4 29 ad 0d 01 00
	01 00 00 91 18 81 a5 cd ab 78 50 ad 1d 3b 77
	be 51 32 9f 04 e6 3e f7 01 39 f2 59 98 75 9d
	29 12 33 39 b4 80 91 9d 6a ff 0d 5c 59 22 43
	77 fc ed c2 40 9d e2 d1 4b ff 02 78 36 d3 ad
	cb a6 d3 d3 9d cc ff cb 3c a3 cb fd df cf e2
	85 a8 bd a2 f6 60 06 b2 9b 53 c4 d6 22 bd 65
	3c 6f 40 01 7c 2c 78 89 31 70 47 56 88 f5 56
	33 f2 0a 91 27 b1 68 5f 84 98 1d 37 bd 69 11
	6d 60 ca 01 44 be fa 92 1f ec 15 be 37 68 d1
	dc cc 66 7c c4 8b 78 51 d9 81 df aa e2 70 2f
	02 59 10 64 b2 93 6d 09 23 a9 7d 0a db 8a 34
	53 ca e2 6a 6d 39 fb 25 5e 38 86 eb 4d a1 c1
	ea bd ac 1d 14 46 ac 58 86 55 ec 40 9f dc 4f
	80 f2 68 0c 81 a3 df 01 a0 62 44 9e 20 42 89
	88 24 b2 6a 40 11 4b 96 33 ba 0d ae 49 98 4b
	24 16 5f ff 85 86 4a 09 cd ce 30 f2 fa ff 74
	28 40 97 a5 56 29 74 53 a2 34 e4 ee e0 45 b6
	d8 a7 9b a0 1a 00 2d ff 8d 2f ed 70 15 c5 e0
	11 bb c8 ef 5b 2c b3 12 0f be 88 7c 98 44 3c
	65 45 bc 20 ac 07 e2 4c 74 2a b4 b1 0e 47 2a
	d6 20 19 ce 75 18 45 28 90 4f 84 42 81 37 ed
	1d 0b 48 f7 53 e3 92 f2 eb df 7a 91 df e8 db
	b1 c4 fd fd c1 ad 4e cc be 11 e2 76 9b 78 2b
	b8 f4 0e 9d 05 d6 08 d0 76 2c e8 4d ee 3d 31
	da c4 f7 01 12 8f 5d 94 e6 cb 15 fe 53 42 b2
	51 8c 5d c7 64 de 14 8f af c1 af 36

Table D.4

Table D.5 and Table D.6 provide the private keys for receivers R1 and R2.

	Value in Hex for R1
p	dc 1a 02 b8 36 ed 3a e8 74 74 cd 72 28 4a ee 31 90 e4 d0 6a

	f9 f6 f8 d3 50 29 c2 84 97 98 10 5d ea 7b 88 fd 36 c5 04 99 ad ab 27 0a 5a 2a f9 18 7b 7d b0 c3 cb e3 5a c2 9a 10 f7 c9 9a 18 3e b5
q	db 42 e9 42 e3 2a 78 c9 6f 2b 7b 74 d6 9b ae b9 3d f4 e7 35 90 1c c4 5a b4 22 8c 3c 08 9b a5 29 64 57 29 b2 c4 80 f9 ee c6 94 30 3e d2 33 9f bb 6a 43 03 89 14 9b 8f 20 b8 60 1f 7f 30 3b 20 c1
d mod (p-1)	73 d1 a4 18 b7 9e 81 df 0c 58 e2 3a ee 04 ef ee 59 26 6e 9d bc 47 3f 8c 42 a4 96 dd 1a c0 43 ec 87 94 d5 f3 18 bc f7 bc be 6c 4f b0 dc dd bc 12 2b f9 69 e8 be 03 37 21 2b dd 3d e6 72 15 cb f9
d mod (q-1)	09 1d e6 1f 0e dd 04 3a b3 f1 a5 e7 7c c8 ea 61 ef 6e 90 72 8c b4 75 81 a3 fd cf c0 eb 46 b5 7e 5c 1a b7 b4 24 31 8c b2 dd f4 e9 70 a3 42 dc 40 69 b1 b1 a2 f0 85 6b 55 1b f5 7b 39 c9 a2 9b c1
q ⁻¹ mod p	89 58 a5 a3 63 d9 a9 ee 0e 7e a1 c0 56 2d 59 fc f8 66 1c 26 48 21 9d e0 61 e4 a8 06 97 64 c7 01 77 47 11 8e a2 81 d2 00 dd 5a 1b 8f 7a 1b 2c 68 56 39 cf cd d3 6a ff 73 81 1d 91 3d 48 b4 43 4c

Table D.5

	Value in Hex for R2
p	ff 7d a0 6d 7d c4 eb 8e 60 e2 0b fd b9 00 11 58 55 28 37 b9 28 7a d4 ec c8 49 e3 37 63 37 8f 8d c2 22 75 00 d0 4b c0 a5 a4 97 ad 35 5b 69 2b 17 9f 7d 84 04 5b 61 7d 40 3c a5 ca f9 e7 51 17 e7
q	c9 82 22 32 71 88 06 bc a8 97 58 74 7c cd af 9e 9d 71 eb db c6 7c 24 91 8b da cf f5 6b a1 8e b5 09 87 ca 11 d2 70 f9 81 c7 dd aa a9 0c 1b 16 e7 c3 93 0b 35 80 ca 77 92 a3 f1 8c 6d d7 39 e4 eb
d mod (p-1)	42 5c e0 51 f0 6c 38 ff 57 9c ff 9e 5c f2 6e 8e f2 37 ab 19 b6 31 09 a3 a3 76 c5 c5 3a 49 51 49 72 16 bf 2b 81 ef 5b 4f eb 4b d6 9a d8 6e 9d d9 d9 fc a1 50 fc 67 7b 40 37 40 9d 53 82 49 27 1b
d mod (q-1)	5b 70 74 ea 25 00 8f e6 0e 2e d7 51 cc cc 5d 54 01 a8 0f 5a 24 80 72 eb a4 e5 ff 16 23 e8 24 e4 db d5 45 89 be cf cb 38 ec 24 17 6c 2c 75 22 78 bb 13 bf b3 60 a4 ff 8b 88 5f 74 d4 e7 24 7b 4f
q ⁻¹ mod p	e8 0a 4a 20 24 17 0f ef 3b cb ee 39 49 4a 1f 50 35 e4 d9 4b 5b 2c 2a af f8 e4 1b 17 04 bf ca 7b fd b2 1d d6 1a bf 61 c4 46 7c 8d ce 74 39 7e 52 3a 6e 8a 3b a4 bf 07 da 86 07 eb 17 a2 26 54 9a

Table D.6

Table D.7 provides the global constant ($1c_{128}$) used for receivers R1 and R2. Note that the same global constant is used in T1, R1 and R2.

	Value in Hex for R1	Value in Hex for R2
Global	93 ce 5a 56 a0 a1 f4 f7 3c	93 ce 5a 56 a0 a1 f4 f7 3c

	<pre> 19 f0 c6 81 76 05 5c b9 de dd ab 3d b0 92 a1 23 4f 0c 71 30 42 78 f6 55 ae bd 36 25 8e 25 0d 4e 5e 8e 77 6a 60 e3 c1 e9 ee cd 2b 9e 18 63 97 d4 e6 75 e: 01 00 01 </pre>	<pre> 35 99 08 1c a1 22 64 e8 3c 2e 70 df a9 10 14 81 46 a2 38 08 ef 1b d2 46 ee 38 0d 6d 92 d3 f2 02 e7 e4 29 ad 0d e: 01 00 01 </pre>
k_m	<pre> 68 bc c5 1b a9 db 1b d0 fa f1 5e 9a d8 a5 af b9 </pre>	<pre> ca 9f 83 95 70 d0 d0 f9 cf e4 eb 54 7e 09 fa 3b </pre>
$E_{k_{pub}}(km)$	<pre> Seed: 00 01 02 03 04 05 06 07 08 09 0A 0B 0C 0D 0E 0F 10 11 12 13 14 15 16 17 18 19 1A 1B 1C 1D 1E 1F lhash: e3 b0 c4 42 98 fc 1c 14 9a fb f4 c8 99 6f b9 24 27 ae 41 e4 64 9b 93 4c a4 95 99 1b 78 52 b8 55 E_{k_{pub}}(km) : 75 d1 07 f6 9b 7f 1e bd 84 2a 33 e2 89 03 75 b1 27 3c c2 f1 da f8 76 94 9b e0 5e 35 a4 b3 32 a0 b5 ea 75 ef 6f 3a d8 31 3a dd c5 9b de a3 bb 00 39 29 48 93 76 2a e9 e1 b5 17 0c 64 6b d4 12 8f 9b e1 07 b5 a7 9e d6 fd 6e 28 c8 5b d0 c4 01 e7 69 f4 70 ab b8 91 2a 31 4b 86 fd 96 80 20 19 7b 73 ad 7e 78 ae e1 71 07 07 50 2d 3f 43 ff d4 50 4e d7 70 fe cf f2 25 82 </pre>	<pre> Seed: 00 01 02 03 04 05 06 07 08 09 0A 0B 0C 0D 0E 0F 10 11 12 13 14 15 16 17 18 19 1A 1B 1C 1D 1E 1F lhash: e3 b0 c4 42 98 fc 1c 14 9a fb f4 c8 99 6f b9 24 27 ae 41 e4 64 9b 93 4c a4 95 99 1b 78 52 b8 55 E_{k_{pub}}(km) : 78 73 6b 24 d6 26 fd 11 36 b5 55 5a a8 be 46 9e 69 a1 ef 19 de d2 43 33 7b e7 e8 88 e2 8e d1 6f 95 b3 56 b7 a0 ac 62 26 57 03 69 03 f9 5c 8b 1d 6a d5 ab f9 8f 7a 71 51 d6 73 22 9a cd 51 7a 72 29 3f d3 fe fb bf f0 74 89 09 cb c9 cd 57 bb 4a 83 94 01 f1 9e 1f 97 e1 50 84 5c d8 b5 b0 e1 ab f1 15 19 63 29 4f 37 3b a1 ec 14 40 bf db 33 bb 46 da f8 3c a4 73 7e ba 97 2a 18 57 6b d6 f8 58 </pre>

	ba 43 9e 61 d6 f5 02 84	
r_{rx}	3b a0 be de 0c 46 a9 91	e1 7a b0 fd 0f 54 40 52
$dkey_0$	89 9e a9 7a 52 a8 1a 15 a3 d0 08 74 b0 67 7d f4	83 02 a3 c7 57 2c c6 69 f7 0a e7 3f 84 bf 05 65
$dkey_1$	9a 80 a3 a3 1a dd 35 55 24 77 1e 66 8d 8f 5d 2d	8f eb 20 67 68 b0 36 8b c9 15 85 62 8f 5c 34 5b
k_d	89 9e a9 7a 52 a8 1a 15 a3 d0 08 74 b0 67 7d f4 9a 80 a3 a3 1a dd 35 55 24 77 1e 66 8d 8f 5d 2d	83 02 a3 c7 57 2c c6 69 f7 0a e7 3f 84 bf 05 65 8f eb 20 67 68 b0 36 8b c9 15 85 62 8f 5c 34 5b
H	c3 c0 39 2d c8 66 a2 c3 98 07 b4 bc 3c bb 7a d0 e6 1f 49 d5 e7 04 7e 9a ea 8c ac f9 d7 c8 cd 89	ee 6f 40 74 eb 1b d0 7b 35 15 b0 f8 28 6a b5 66 96 e9 39 2b d7 62 be d4 6a 92 d8 d0 a4 18 4d 42
H'	c3 c0 39 2d c8 66 a2 c3 98 07 b4 bc 3c bb 7a d0 e6 1f 49 d5 e7 04 7e 9a ea 8c ac f9 d7 c8 cd 89	ee 6f 40 74 eb 1b d0 7b 35 15 b0 f8 28 6a b5 66 96 e9 39 2b d7 62 be d4 6a 92 d8 d0 a4 18 4d 42
Pairing		
$E_{kh}(k_m)$	<p>Hash of private = SHA256 hash on concatenation of p, q, d mod (p-1), d mod (q-1), $q^{-1} \text{ mod } p$ i.e. SHA-256(p q d mod (p-1) d mod (q-1) $q^{-1} \text{ mod } p$):</p> <p>5d 7f 16 2f e1 33 c7 0c 44 b7 f2 95 0d 4b 32 05 34 c6 63 5c 41 11 dc cf c4 24 e1 e5 0c 42 73 7c</p> <p>k_h:</p> <p>34 c6 63 5c 41 11 dc cf c4 24 e1 e5 0c 42 73 7c</p> <p>$E_{kh}(k_m)$:</p> <p>ce 82 f8 36 56 cb bb af 40 ba 83 17</p>	<p>Hash of private = SHA256 hash on concatenation of p, q, d mod (p-1), d mod (q-1), $q^{-1} \text{ mod } p$ i.e. SHA-256(p q d mod (p-1) d mod (q-1) $q^{-1} \text{ mod } p$):</p> <p>36 85 b9 ee 44 60 49 13 95 e8 05 f0 43 ee 3e 25 ef 5d d8 39 05 34 ae 90 79 89 00 db 83 86 3f d2</p> <p>k_h:</p> <p>ef 5d d8 39 05 34 ae 90 79 89 00 db 83 86 3f d2</p> <p>$E_{kh}(k_m)$:</p> <p>2e ec e5 58 e7 8f 1a 96 d3 bd 40 14 a6 7e 29 3a</p>

	8c d3 a4 a6	
<i>m</i>	18 fa e4 20 6a fb 51 49 00 00 00 00 00 00 00 00	f9 f1 30 a8 2d 5b e5 c3 00 00 00 00 00 00 00
Locality Check		
<i>r_n</i>	32 75 3e a8 78 a6 38 1c	a0 fe 9b b8 20 60 58 ca
<i>L</i>	1b 57 26 de b5 65 1c 77 31 70 d0 09 4a 14 eb 0d 1f 1c ab a9 fe 84 fd d4 eb 17 52 e3 e8 d0 d6 36	19 16 b1 59 73 be e3 67 f0 56 50 51 44 0f 53 a2 df 53 8d ce e2 58 1f 65 f3 bf 03 0e 68 14 e0 e4
<i>L'</i>	1b 57 26 de b5 65 1c 77 31 70 d0 09 4a 14 eb 0d 1f 1c ab a9 fe 84 fd d4 eb 17 52 e3 e8 d0 d6 36	19 16 b1 59 73 be e3 67 f0 56 50 51 44 0f 53 a2 df 53 8d ce e2 58 1f 65 f3 bf 03 0e 68 14 e0 e4
Session Key Exchange		
<i>k_s</i>	f3 df 1d d9 57 96 12 3f 98 97 89 b4 21 e1 2d e1	f3 df 1d d9 57 96 12 3f 98 97 89 b4 21 e1 2d e1
<i>r_{iv}</i>	40 2b 6b 43 c5 e8 86 d8	9a 6d 11 00 a9 b7 6f 64
<i>dkey₂</i>	38 4d eb f3 5d b2 3b 70 dd 68 5d 03 ea 05 6f 75	56 04 d8 41 07 27 f6 5d 70 90 2d 00 e5 b4 29 97
<i>E_{dkey(k_s)}</i>	cb 92 f6 2a 0a 24 29 4f 7e 5f 6a 69 c7 a2 eb 05	a5 db c5 98 50 b1 e4 62 09 7d 14 49 cb 01 44 24
Authentication with Repeaters		
<i>Receiver ID₀</i>	35 79 6a 17 2e	N/A as R2 is not an HDCP Repeater
<i>Receiver ID₁</i>	47 8e 71 e2 0f	
<i>Receiver ID₂</i>	74 e8 53 97 a6	
Receiver ID list	35 79 6a 17 2e 47 8e 71 e2 0f 74 e8 53 97 a6	
DEPTH	0x01	
DEVICE_COUNT	0x03	
MAX_DEVS_EXCEEDED	0x00	
MAX_CASCADE_EXCEEDED	0x00	
<i>V</i>	cc d0 09 37 72 d3 c0 cc 4e 9b 8f da 04 1c 6b 66 0b 86 31 47 55 28 9e 9f 75 4f 28 5d 28 6f 32 cf	

V'	cc d0 09 37 72 d3 c0 cc 4e 9b 8f da 04 1c 6b 66 0b 86 31 47 55 28 9e 9f 75 4f 28 5d 28 6f 32 cf
----	----------------------------------------------------------------------------------------------------------------

Table D.8

Stream Encryption

Provided below is the input stream to be encrypted at T1.

Packet 1 header	
	0038e02c
	00000000
	00000000
	00000000
	00000000
	11a40000
	002a3b00
	00000000
	0ffffff2
	0254c97e
	0032ff80
	006fec80
	fff00000
Secure packet counter (32 lsb)	2345678b
Secure packet counter cont'd	00000101
	00010000
	01000000
	00000000
	00000001
	00000000
	00000600
	00000000
	94aelf51
Packet 1 audio subpacket	
Key (k_s XOR $1c_{128}$) 6011478ff737e6c8a4f203aff34fdd16	
r_{iv} 9a6d1100a9b76f64	
$inputCtr$ 012345678b000000	
80 e0 00 00 9b 01 00 00 f0 19 00 00 9a 01 00 40	
e0 19 00 00 99 01 00 80 d0 19 00 00 98 01 00 c0	
c0 19 00 00 a3 01 00 00 70 1a 00 00 a2 01 00 40	
60 1a 00 00 a1 01 00 80 50 1a 00 00 a0 01 00 c0	
40 1a 00 00 ab 01 00 00 f0 1a 00 00 aa 01 00 40	
e0 1a 00 00 a9 01 00 80 d0 1a 00 00 a8 01 00 c0	
c0 1a 00 00 b3 01 00 00 70 1b 00 00 b2 01 00 40	
60 1b 00 00 b1 01 00 80 50 1b 00 00 b0 01 00 c0	
40 1b 00 00 bb 01 00 00 f0 1b 00 00 ba 01 00 40	
e0 1b 00 00 b9 01 00 80 d0 1b 00 00 b8 01 00 c0	
c0 1b 00 00 c3 01 00 00 70 1c 00 00 c2 01 00 40	

60	1c	00	00	c1	01	00	80	50	1c	00	00	c0	01	00	c0
40	1c	00	00	cb	01	00	00	f0	1c	00	00	ca	01	00	40
e0	1c	00	00	c9	01	00	80	d0	1c	00	00	c8	01	00	c0
c0	1c	00	00	d3	01	00	00	70	1d	00	00	d2	01	00	40
60	1d	00	00	d1	01	00	80	50	1d	00	00	d0	01	00	c0
40	1d	00	00	db	01	00	00	f0	1d	00	00	da	01	00	40
e0	1d	00	00	d9	01	00	80	d0	1d	00	00	d8	01	00	c0
c0	1d	00	00	e3	01	00	00	70	1e	00	00	e2	01	00	40
60	1e	00	00	e1	01	00	80	50	1e	00	00	e0	01	00	c0
40	1e	00	00	eb	01	00	00	f0	1e	00	00	ea	01	00	40
e0	1e	00	00	e9	01	00	80	d0	1e	00	00	e8	01	00	c0
c0	1e	00	00	f3	01	00	00	70	1f	00	00	f2	01	00	40
60	1f	00	00	f1	01	00	80	50	1f	00	00	f0	01	00	c0
40	1f	00	00	fb	01	00	00	f0	1f	00	00	fa	01	00	40
e0	1f	00	00	f9	01	00	80	d0	1f	00	00	f8	01	00	c0
c0	1f	00	00	03	02	00	00	70	20	00	00	02	02	00	40
60	20	00	00	01	02	00	80	50	20	00	00	00	02	00	c0
40	20	00	00	0b	02	00	00	f0	20	00	00	0a	02	00	40
e0	20	00	00	09	02	00	80	d0	20	00	00	08	02	00	c0
c0	20	00	00	13	02	00	00	70	21	00	00	12	02	00	40
60	21	00	00	11	02	00	80	50	21	00	00	10	02	00	c0
40	21	00	00	1b	02	00	00	f0	21	00	00	1a	02	00	40
e0	21	00	00	19	02	00	80	d0	21	00	00	18	02	00	c0
c0	21	00	00	23	02	00	00	70	22	00	00	22	02	00	40
60	22	00	00	21	02	00	80	50	22	00	00	20	02	00	c0
40	22	00	00	2b	02	00	00	f0	22	00	00	2a	02	00	40
e0	22	00	00	29	02	00	80	d0	22	00	00	28	02	00	c0
c0	22	00	00	33	02	00	00	70	23	00	00	32	02	00	40
60	23	00	00	31	02	00	80	50	23	00	00	30	02	00	c0
40	23	00	00	3b	02	00	00	f0	23	00	00	3a	02	00	40
e0	23	00	00	39	02	00	80	d0	23	00	00	38	02	00	c0
c0	23	00	00	43	02	00	00	70	24	00	00	42	02	00	40
60	24	00	00	41	02	00	80	50	24	00	00	40	02	00	c0
40	24	00	00	4b	02	00	00	f0	24	00	00	4a	02	00	40
e0	24	00	00	49	02	00	80	d0	24	00	00	48	02	00	c0
c0	24	00	00	53	02	00	00	70	25	00	00	52	02	00	40
60	25	00	00	51	02	00	80	50	25	00	00	50	02	00	c0
40	25	00	00	5b	02	00	00	f0	25	00	00	5a	02	00	40
e0	25	00	00	59	02	00	80	d0	25	00	00	58	02	00	c0
c0	25	00	00	63	02	00	00	70	26	00	00	62	02	00	40
60	26	00	00	61	02	00	80	50	26	00	00	60	02	00	c0
40	26	00	00	6b	02	00	00	f0	26	00	00	6a	02	00	40
e0	26	00	00	69	02	00	80	d0	26	00	00	68	02	00	c0
c0	26	00	00	73	02	00	00	70	27	00	00	72	02	00	40
60	27	00	00	71	02	00	80	50	27	00	00	70	02	00	c0
40	27	00	00												
Packet 2 header															
										0038e014					
										a205dca2					
										dca205dc					

	05dca205
	00000000
	13a40000
	002a3b00
	00000000
	0ff33332
	02d51e60
	003df780
	0087ff80
	f0000000
Secure Packet Counter 32 lsb	2345678c
Secure Packet Counter cont'd	00000101
	01080000
	02000100
	00000001
	01000004
	05557500
	00000800
	00000000
	8761cdd0
Packet 2 audio subpacket	
Key (k_s XOR lc_{128})6011478ff737e6c8a4f203aff34fdd16	
r_{iv} 9a6d1100a9b76f64	
$inputCtr$ 012345678c000000	
80	ee 00 00 7b 02 00 00 f0 27 00 00 7a 02 00 40
e0	27 00 00 79 02 00 80 d0 27 00 00 78 02 00 c0
c0	27 00 00 83 02 00 00 70 28 00 00 82 02 00 40
60	28 00 00 81 02 00 80 50 28 00 00 80 02 00 c0
40	28 00 00 8b 02 00 00 f0 28 00 00 8a 02 00 40
e0	28 00 00 89 02 00 80 d0 28 00 00 88 02 00 c0
c0	28 00 00 93 02 00 00 70 29 00 00 92 02 00 40
60	29 00 00 91 02 00 80 50 29 00 00 90 02 00 c0
40	29 00 00 9b 02 00 00 f0 29 00 00 9a 02 00 40
e0	29 00 00 99 02 00 80 d0 29 00 00 98 02 00 c0
c0	29 00 00 a3 02 00 00 70 2a 00 00 a2 02 00 40
60	2a 00 00 a1 02 00 80 50 2a 00 00 a0 02 00 c0
40	2a 00 00 ab 02 00 00 f0 2a 00 00 aa 02 00 40
e0	2a 00 00 a9 02 00 80 d0 2a 00 00 a8 02 00 c0
c0	2a 00 00 b3 02 00 00 70 2b 00 00 b2 02 00 40
60	2b 00 00 b1 02 00 80 50 2b 00 00 b0 02 00 c0
40	2b 00 00 bb 02 00 00 f0 2b 00 00 ba 02 00 40
e0	2b 00 00 b9 02 00 80 d0 2b 00 00 b8 02 00 c0
c0	2b 00 00 c3 02 00 00 70 2c 00 00 c2 02 00 40
60	2c 00 00 c1 02 00 80 50 2c 00 00 c0 02 00 c0
40	2c 00 00 cb 02 00 00 f0 2c 00 00 ca 02 00 40
e0	2c 00 00 c9 02 00 80 d0 2c 00 00 c8 02 00 c0
c0	2c 00 00 d3 02 00 00 70 2d 00 00 d2 02 00 40
60	2d 00 00 d1 02 00 80 50 2d 00 00 d0 02 00 c0
40	2d 00 00 db 02 00 00 f0 2d 00 00 da 02 00 40
e0	2d 00 00 d9 02 00 80 d0 2d 00 00 d8 02 00 c0

c0 2d 00 00 e3 02 00 00 70 2e 00 00 e2 02 00 40
60 2e 00 00 e1 02 00 80 50 2e 00 00 e0 02 00 c0
40 2e 00 00 eb 02 00 00 f0 2e 00 00 ea 02 00 40
e0 2e 00 00 e9 02 00 80 d0 2e 00 00 e8 02 00 c0
c0 2e 00 00 f3 02 00 00 70 2f 00 00 f2 02 00 40
60 2f 00 00 f1 02 00 80 50 2f 00 00 f0 02 00 c0
40 2f 00 00 fb 02 00 00 f0 2f 00 00 fa 02 00 40
e0 2f 00 00 f9 02 00 80 d0 2f 00 00 f8 02 00 c0
c0 2f 00 00 03 03 00 00 70 30 00 00 02 03 00 40
60 30 00 00 01 03 00 80 50 30 00 00 00 03 00 c0
40 30 00 00 0b 03 00 00 f0 30 00 00 0a 03 00 40
e0 30 00 00 09 03 00 80 d0 30 00 00 08 03 00 c0
c0 30 00 00 13 03 00 00 70 31 00 00 12 03 00 40
60 31 00 00 11 03 00 80 50 31 00 00 10 03 00 c0
40 31 00 00 1b 03 00 00 f0 31 00 00 1a 03 00 40
e0 31 00 00 19 03 00 80 d0 31 00 00 18 03 00 c0
c0 31 00 00 23 03 00 00 70 32 00 00 22 03 00 40
60 32 00 00 21 03 00 80 50 32 00 00 20 03 00 c0
40 32 00 00 2b 03 00 00 f0 32 00 00 2a 03 00 40
e0 32 00 00 29 03 00 80 d0 32 00 00 28 03 00 c0
c0 32 00 00 33 03 00 00 70 33 00 00 32 03 00 40
60 33 00 00 31 03 00 80 50 33 00 00 30 03 00 c0
40 33 00 00 3b 03 00 00 f0 33 00 00 3a 03 00 40
e0 33 00 00 39 03 00 80 d0 33 00 00 38 03 00 c0
c0 33 00 00 43 03 00 00 70 34 00 00 42 03 00 40
60 34 00 00 41 03 00 80 50 34 00 00 40 03 00 c0
40 34 00 00 4b 03 00 00 f0 34 00 00 4a 03 00 40
e0 34 00 00 49 03 00 80 d0 34 00 00 48 03 00 c0
c0 34 00 00 53 03 00 00 70 35 00 00 52 03 00 40
60 35 00 00 51 03 00 80 50 35 00 00 50 03 00 c0
40 35 00 00
Packet 2 Video subpacket 1
<i>inputCtr</i> 012345678d000000
00 01 7f 00 01 7f 00 01 7f 00 01 7f 00 01 7f 00
01 7f 00 01 7f 00 01 7f 00 01 7f 00 01 81 00 01
7f 10 01 83 10 01 7f 20 01 85 20 01 7e 20 01 87
30 01 7e 30 01 89 40 01 7d 40 01 8b 50 01 7d 50
01 8d 50 01 7c 60 01 8f 60 01 7c 70 01 91 70 01
7b 80 01 93 80 01 7b 80 01 95 90 01 7a 90 01 98
a0 01 7a a0 01 9a b0 01 79 b0 01 9c b0 01 79 c0
01 9e c0 01 78 d0 01 a0 d0 01 78 e0 01 a2 e0 01
78 e0 01 a4 f0 01 77 f0 01 a6 00 02 77 00 02 a8
10 02 76 10 02 aa 10 02 76 20 02 ac 20 02 75 30
02 ae 30 02 75 40 02 b0 40 02 74 40 02 b2 50 02
74 50 02 b4 60 02 73 60 02 b6 70 02 73 70 02 b8
70 02 72 80 02 ba 80 02 72 90 02 bc 90 02 71 90
02 be a0 02 71 a0 02 c0 b0 02 71 b0 02 c2 c0 02
70 c0 02 c4 c0 02 70 d0 02 c7 d0 02 6f e0 02 c9
e0 02 6f f0 02 cb f0 02 6e f0 02 cd 00 03 6e 00
03 cf 10 03 6d 10 03 d1 20 03 6d 20 03 d3 20 03

7f a0 0e 7f a0 0e 7f a0 0e 7f a0 0e 7f a0 0e 7f a0
a0 0e 7f a0 0e 7f a0 0e 7f a0 0e 7f a0 0e 7f a0
0e 7f a0 0e 7f a0 0e 7f a0 0e 7f a0 0e 7f a0 0e
7f a0 0e 7f a0 0e 7f a0 0e 7f a0 0e 7f a0 0e 7f
a0 0e 7f a0 0e 7f a0 0e 7f a0 0e 7f a0 0e 7f a0
0e 7f a0 0e 7f a0 0e 7f a0 0e 7f a0 0e 7f a0 0e
7f a0 0e 7f a0 0e 7f a0 0e 7f a0 0e 7f a0 0e 7f
a0 0e 7f a0 0e 7f a0 0e 7f a0 0e 7f a0 0e 7f a0
0e 7f a0 0e 7f a0 0e 7f a0 0e 7f a0 0e 7f a0 0e
7f a0 0e 7f a0 0e 7f a0 0e 7f a0 0e 7f a0 0e 7f
a0 0e 7f a0 0e 7f a0 0e 7f a0 0e 7f a0 0e 7f a0
0e 7f a0 0e 7f a0 0e 7f a0 0e 7f a0 0e 7f a0 0e
7f a0 0e 7f a0 0e 7f a0 0e 7f a0 0e 7f a0 0e 7f
a0 0e 7f a0 0e 7f a0 0e 7f a0 0e 7f a0 0e 7f a0
0e 7f a0 0e 7f a0 0e 7f a0 0e 7f a0 0e 7f a0 0e
7f a0 0e 7f a0 0e 7f a0 0e 7f a0 0e 7f a0 0e 7f
a0 0e 7f a0 0e 7f a0 0e 7f a0 0e 7f a0 0e 7f a0
0e 7f a0 0e 7f a0 0e 7f a0 0e 7f a0 0e 7f a0 0e
7f a0 0e 7f a0 0e 7f a0 0e 7f a0 0e 7f a0 0e 7f
a0 0e 7f a0 0e 7f a0 0e 7f a0 0e 7f a0 0e 7f a0
0e 7f a0 0e 7f a0 0e 7f a0 0e 7f a0 0e 7f a0 0e
7f a0 0e 7f a0 0e 7f a0 0e 7f a0 0e 7f a0 0e 7f
a0 0e 7f a0 0e 7f a0 0e 7f a0 0e 7f a0 0e 7f a0
0e 7f a0 0e 7f a0 0e 7f a0 0e 7f a0 0e 7f a0 0e

```
7f a0 0e 7f a0 0e 7f a0 0e 7f a0 0e 7f a0 0e 7f
a0 0e 7f a0 0e 7f a0 0e 7f a0 0e 7f a0 0e 7f a0
0e 7f a0 0e 7f a0 0e 7f a0 0e 7f a0 0e 7f a0 0e
7f a0 0e 7f a0 0e 7f a0 0e 7f a0 0e 7f a0 0e 7f
a0 0e 7f a0 0e 7f a0 0e 7f a0 0e 7f a0 0e 7f a0
0e 7f a0 0e 7f a0 0e 7f a0 0e 7f a0 0e 7f a0 0e
7f a0 0e 7f a0 0e 7f a0 0e 7f a0 0e 7f a0 0e 7f
a0 0e 7f a0 0e 7f a0 0e 7f a0 0e 7f a0 0e 7f a0
0e 7f a0 0e 7f a0 0e 7f a0 0e 7f a0 0e 7f a0 0e
7f a0 0e 7f a0 0e 7f a0 0e 7f a0 0e 7f a0 0e 7f
a0 0e 7f a0 0e 7f a0 0e 7f a0 0e 7f a0 0e 7f a0
0e 7f a0 0e 7f a0 0e 7f a0 0e 7f a0 0e 7f a0 0e
7f a0 0e 7f a0 0e 7f a0 0e 7f a0 0e 7f a0 0e 7f
a0 0e 7f a0 0e 7f a0 0e 7f a0 0e 7f a0 0e 7f a0
0e 7f a0 0e 7f a0 0e 7f a0 0e 7f a0 0e 7f a0 0e
7f a0 0e 7f a0 0e 7f a0 0e 7f a0 0e 7f a0 0e 7f
a0 0e 7f a0 0e 7f a0 0e 7f a0 0e 7f a0 0e 7f a0
0e 7f a0 0e 7f a0 0e 7f a0 0e 7f a0 0e 7f a0 0e
7f a0 0e 7f a0 0e 7f a0 0e 7f a0 0e 7f a0 0e 7f
a0 0e 7f a0 0e 7f a0 0e 7f a0 0e 7f a0 0e 7f a0
0e 7f a0 0e 7f a0 0e 7f a0 0e 7f a0 0e 7f a0 0e
7f a0 0e 7f a0 0e 7f a0 0e 7f a0 0e 7f a0 0e 7f
a0 0e 7f a0 0e 7f a0 0e 7f a0 0e 7f a0 0e 7f a0
0e 7f a0 0e 7f a0 0e 7f a0 0e 7f a0 0e 7f a0 0e
7f a0 0e 7f a0 0e 7f a0 0e 7f a0 0e 7f a0 0e 7f
a0 0e 7f a0 0e 7f a0 0e 7f a0 0e 7f a0 0e 7f a0
0e 7f a0 0e 7f a0 0e 7f e0 03 66 e0 03 eb e0 03
66 e0 03 eb e0 03 66 e0 03 eb e0 03 66 e0 03 eb
00 01 7f 00 01 7f 00 01 7f 00 01 7f 00 01 7f 00
01 7f 00 01 7f 00 01 7f 00 01 7f 00 01 81 00 01
7f 10 01 83 10 01 7f 20 01 85 20 01 7e 20 01 87
30 01 7e 30 01 89 40 01 7d 40 01 8b 50 01 7d 50
01 8d 50 01 7c 60 01 8f 60 01 7c 70 01 91 70 01
7b 80 01 93 80 01 7b 80 01 95 90 01 7a 90 01 98
a0 01 7a a0 01 9a b0 01 79 b0 01 9c b0 01 79 c0
01 9e c0 01 78 d0 01 a0 d0 01 78 e0 01 a2 e0 01
78 e0 01 a4 f0 01 77 f0 01 a6 00 02 77 00 02 a8
10 02 76 10 02 aa 10 02 76 20 02 ac 20 02 75 30
02 ae 30 02 75 40 02 b0 40 02 74 40 02 b2 50 02
74 50 02 b4 60 02 73 60 02 b6 70 02 73 70 02 b8
70 02 72 80 02 ba 80 02 72 90 02 bc 90 02 71 90
02 be a0 02 71 a0 02 c0 b0 02 71 b0 02 c2 c0 02
70 c0 02 c4 c0 02 70 d0 02 c7 d0 02 6f e0 02 c9
e0 02 6f f0 02 cb f0 02 6e f0 02 cd 00 03 6e 00
03 cf 10 03 6d 10 03 d1 20 03 6d 20 03 d3 20 03
```


7f a0 0e 7f a0 0e 7f a0 0e 7f a0 0e 7f a0 0e 7f
a0 0e 7f a0 0e 7f a0 0e 7f a0 0e 7f a0 0e 7f a0
0e 7f a0 0e 7f a0 0e 7f a0 0e 7f a0 0e 7f a0 0e
7f a0 0e 7f a0 0e 7f a0 0e 7f a0 0e 7f a0 0e 7f
a0 0e 7f a0 0e 7f a0 0e 7f a0 0e 7f a0 0e 7f a0
0e 7f a0 0e 7f a0 0e 7f a0 0e 7f a0 0e 7f a0 0e
7f a0 0e 7f a0 0e 7f a0 0e 7f a0 0e 7f a0 0e 7f
a0 0e 7f a0 0e 7f a0 0e 7f a0 0e 7f a0 0e 7f a0
0e 7f a0 0e 7f a0 0e 7f a0 0e 7f a0 0e 7f a0 0e
7f a0 0e 7f a0 0e 7f a0 0e 7f a0 0e 7f a0 0e 7f
a0 0e 7f a0 0e 7f a0 0e 7f a0 0e 7f a0 0e 7f a0
0e 7f a0 0e 7f a0 0e 7f a0 0e 7f a0 0e 7f a0 0e
7f a0 0e 7f a0 0e 7f a0 0e 7f a0 0e 7f a0 0e 7f
a0 0e 7f a0 0e 7f a0 0e 7f a0 0e 7f a0 0e 7f a0
0e 7f a0 0e 7f a0 0e 7f a0 0e 7f a0 0e 7f a0 0e
7f a0 0e 7f a0 0e 7f a0 0e 7f a0 0e 7f a0 0e 7f
a0 0e 7f a0 0e 7f a0 0e 7f a0 0e 7f a0 0e 7f a0
0e 7f a0 0e 7f a0 0e 7f a0 0e 7f a0 0e 7f a0 0e
7f a0 0e 7f a0 0e 7f a0 0e 7f a0 0e 7f a0 0e 7f
a0 0e 7f a0 0e 7f a0 0e 7f a0 0e 7f a0 0e 7f a0
0e 7f a0 0e 7f a0 0e 7f a0 0e 7f a0 0e 7f a0 0e
7f a0 0e 7f a0 0e 7f a0 0e 7f a0 0e 7f a0 0e 7f
a0 0e 7f a0 0e 7f a0 0e 7f a0 0e 7f a0 0e 7f a0
0e 7f a0 0e 7f a0 0e 7f a0 0e 7f a0 0e 7f a0 0e
7f a0 0e 7f a0 0e 7f a0 0e 7f a0 0e 7f a0 0e 7f
a0 0e 7f a0 0e 7f a0 0e 7f a0 0e 7f a0 0e 7f a0
0e 7f a0 0e 7f a0 0e 7f a0 0e 7f a0 0e 7f a0 0e

7f a0 0e 7f a0 0e 7f a0 0e 7f a0 0e 7f a0 0e 7f a0
a0 0e 7f a0 0e 7f a0 0e 7f a0 0e 7f a0 0e 7f a0
0e 7f a0 0e 7f a0 0e 7f a0 0e 7f a0 0e 7f a0 0e
7f a0 0e 7f a0 0e 7f a0 0e 7f a0 0e 7f a0 0e 7f
a0 0e 7f a0 0e 7f a0 0e 7f a0 0e 7f a0 0e 7f a0
0e 7f a0 0e 7f a0 0e 7f a0 0e 7f a0 0e 7f a0 0e
7f a0 0e 7f a0 0e 7f a0 0e 7f a0 0e 7f a0 0e 7f
a0 0e 7f a0 0e 7f a0 0e 7f a0 0e 7f a0 0e 7f a0
0e 7f a0 0e 7f a0 0e 7f a0 0e 7f a0 0e 7f a0 0e
7f a0 0e 7f a0 0e 7f a0 0e 7f a0 0e 7f a0 0e 7f
a0 0e 7f a0 0e 7f a0 0e 7f a0 0e 7f a0 0e 7f a0
0e 7f a0 0e 7f a0 0e 7f a0 0e 7f a0 0e 7f a0 0e
7f a0 0e 7f a0 0e 7f a0 0e 7f a0 0e 7f a0 0e 7f
a0 0e 7f a0 0e 7f a0 0e 7f a0 0e 7f a0 0e 7f a0
0e 7f a0 0e 7f a0 0e 7f a0 0e 7f a0 0e 7f a0 0e
7f a0 0e 7f a0 0e 7f a0 0e 7f a0 0e 7f a0 0e 7f
a0 0e 7f a0 0e 7f a0 0e 7f a0 0e 7f a0 0e 7f a0
0e 7f a0 0e 7f a0 0e 7f a0 0e 7f a0 0e 7f a0 0e
7f a0 0e 7f a0 0e 7f a0 0e 7f a0 0e 7f a0 0e 7f
a0 0e 7f a0 0e 7f a0 0e 7f a0 0e 7f a0 0e 7f a0
0e 7f a0 0e 7f a0 0e 7f a0 0e 7f a0 0e 7f a0 0e
7f a0 0e 7f a0 0e 7f a0 0e 7f a0 0e 7f a0 0e 7f
a0 0e 7f a0 0e 7f a0 0e 7f a0 0e 7f a0 0e 7f a0
0e 7f a0 0e 7f a0 0e 7f a0 0e 7f a0 0e 7f a0 0e

6c	30	03	d5	30	03	6c	40	03	d7	40	03	6b	50	03	d9
50	03	6b	50	03	db	60	03	6a	60	03	dd	70	03	6a	70
03	df	80	03	6a	80	03	e1	80	03	69	90	03	e3	90	03
69	a0	03	e5	a0	03	68	b0	03	e7	b0	03	68	b0	03	e9
c0	03	67	c0	03	eb	d0	03	67	d0	03	eb	e0	03	66	e0
03	eb	e0	03	66	e0	03	eb	e0	03	66	e0	03	eb	e0	03
66	e0	03	eb	e0	03	66	e0	03	eb	e0	03	66	e0	03	eb
e0	03	66	e0	03	eb	e0	03	66	e0	03	eb	a0	0e	7f	a0
0e	7f	a0	0e	7f	a0	0e	7f	a0	0e	7f	a0	0e	7f	a0	0e
7f	a0	0e	7f	a0	0e	7f	a0	0e	7f	a0	0e	7f	a0	0e	7f
a0	0e	7f	a0	0e	7f	a0	0e	7f	a0	0e	7f	a0	0e	7f	a0
0e	7f	a0	0e	7f	a0	0e	7f	a0	0e	7f	a0	0e	7f	a0	0e
7f	a0	0e	7f	a0	0e	7f	a0	0e	7f	a0	0e	7f	a0	0e	7f
a0	0e	7f	a0	0e	7f	a0	0e	7f	a0	0e	7f	a0	0e	7f	a0
0e	7f	a0	0e	7f	a0	0e	7f	a0	0e	7f	a0	0e	7f	a0	0e
7f	a0	0e	7f	a0	0e	7f	a0	0e	7f	a0	0e	7f	a0	0e	7f
a0	0e	7f	a0	0e	7f	a0	0e	7f	a0	0e	7f	a0	0e	7f	a0
0e	7f	a0	0e	7f	a0	0e	7f	a0	0e	7f	a0	0e	7f	a0	0e
7f	a0	0e	7f	a0	0e	7f	a0	0e	7f	a0	0e	7f	a0	0e	7f
e0	03	66	e0	03	eb	e0	03	66	e0	03	eb	e0	03	66	e0
03	eb	e0	03	66	e0	03	eb	e0	03	66	e0	03	eb	e0	03
66	e0	03	eb	e0	03	66	e0	03	eb	e0	03	66	e0	03	eb
e0	03	66	e0	03	eb	e0	03	66	e0	03	eb	e0	03	66	e0
03	eb	e0	03	66	e0	03	eb	e0	03	66	e0	03	eb	e0	03
66	e0	03	eb	e0	03	66	e0	03	eb	e0	03	66	e0	03	eb
e0	03	66	e0	03	eb	e0	03	66	e0	03	eb	e0	03	66	e0
03	eb	e0	03	66	e0	03	eb	e0	03	66	e0	03	eb	e0	03
66	e0	03	eb	e0	03	66	e0	03	eb	e0	03	66	e0	03	eb
e0	03	66	e0	03	eb	e0	03	66	e0	03	eb	e0	03	66	e0
03	eb	e0	03	66	e0	03	eb	e0	03	66	e0	03	eb	e0	03
66	e0	03	eb	e0	03	66	e0	03	eb	e0	03	66	e0	03	eb
e0	03	66	e0	03	eb	e0	03	66	e0	03	eb	e0	03	66	e0
03	eb	e0	03	66	e0	03	eb	e0	03	66	e0	03	eb	e0	03
66	e0	03	eb	a0	0e	7f	a0	0e	7f	a0	0e	7f	a0	0e	7f
a0	0e	7f	a0	0e	7f	a0	0e	7f	a0	0e	7f	a0	0e	7f	a0
0e	7f	a0	0e	7f	a0	0e	7f	a0	0e	7f	a0	0e	7f	a0	0e
7f	a0	0e	7f	a0	0e	7f	a0	0e	7f	a0	0e	7f	a0	0e	7f
a0	0e	7f	a0	0e	7f	a0	0e	7f	a0	0e	7f	a0	0e	7f	a0
0e	7f	a0	0e	7f	a0	0e	7f	a0	0e	7f	a0	0e	7f	a0	0e
7f	a0	0e	7f	a0	0e	7f	a0	0e	7f	a0	0e	7f	a0	0e	7f
a0	0e	7f	a0	0e	7f	a0	0e	7f	a0	0e	7f	a0	0e	7f	a0
0e	7f	a0	0e	7f	a0	0e	7f	a0	0e	7f	a0	0e	7f	a0	0e
7f	a0	0e	7f	a0	0e	7f	a0	0e	7f	a0	0e	7f	a0	0e	7f
a0	0e	7f	a0	0e	7f	a0	0e	7f	a0	0e	7f	a0	0e	7f	a0
0e	7f	a0	0e	7f	a0	0e	7f	a0	0e	7f	a0	0e	7f	a0	0e
7f	a0	0e	7f	a0	0e	7f	a0	0e	7f	a0	0e	7f	a0	0e	7f
a0	0e	7f	a0	0e	7f	a0	0e	7f	a0	0e	7f	a0	0e	7f	a0
0e	7f	a0	0e	7f	a0	0e	7f	a0	0e	7f	a0	0e	7f	a0	0e
7f	a0	0e	7f	a0	0e	7f	a0	0e	7f	a0	0e	7f	a0	0e	7f
a0	0e	7f	a0	0e	7f	a0	0e	7f	a0	0e	7f	a0	0e	7f	a0
0e	7f	a0	0e	7f	a0	0e	7f	a0	0e	7f	a0	0e	7f	a0	0e
7f	a0	0e	7f	a0	0e	7f	a0	0e	7f	a0	0e	7f	a0	0e	7f
a0	0e	7f	a0	0e	7f	a0	0e	7f	a0	0e	7f	a0	0e	7f	a0
0e	7f	a0	0e	7f	a0	0e	7f	a0	0e	7f	a0	0e	7f	a0	0e

66	e0	03	eb	a0	0e	7f	a0	0e	7f	a0	0e	7f	a0	0e	7f
a0	0e	7f	a0	0e	7f	a0	0e	7f	a0	0e	7f	a0	0e	7f	a0
0e	7f	a0	0e	7f	a0	0e	7f	a0	0e	7f	a0	0e	7f	a0	0e
7f	a0	0e	7f	a0	0e	7f	a0	0e	7f	a0	0e	7f	a0	0e	7f

Table D.9

The encrypted stream generated at transmitter T1 for receiver R2 is provided below.

Packet 1 audio subpacket
Key (k_s XOR $1c_{128}$) 6011478ff737e6c8a4f203aff34fdd16
r_{iv} 9a6d1100a9b76f64
$inputCtr$ 012345678b000000
0e 9d 24 09 8e ef 24 8d a7 f0 8b fe 90 1b f6 19 ed b6 32 98 7e bf 4b 6e 92 df 39 f1 42 21 ec 11 2c 02 aa 55 bc 7a e8 0a 25 3e 53 61 7b 1c 74 2e 09 f4 fa 8c 10 98 44 c3 50 c7 60 d6 6f b9 5b c1 c7 f4 5f 0b b7 46 ec c8 2d 16 24 34 85 8e 45 65 52 36 49 15 07 df e6 f3 06 6d 59 e0 85 dd 0d d1 df 3d 57 96 97 4b a2 5c 51 af 12 18 4b 3a b3 c9 8a bd 8f 21 b1 45 47 a7 ec de cf 8c 42 fc cb 80 60 4c 7b 4b 3e 5e 87 e0 f3 9e 17 03 9f da 0b bf 8a 06 68 4c e8 4b ce e7 0b c4 a3 f7 d3 de 1c 18 47 6b a1 69 42 ab b6 c3 d7 2d 46 27 b1 e2 88 00 32 92 46 d5 55 0c 03 af ab 4d ce e1 05 75 51 6b d3 76 7a 63 09 79 c9 e1 a0 49 db ec b4 ec 29 33 fc 9b 35 86 05 72 d5 8f cc 7e 0c 78 56 4f 6d e3 ec 61 82 fb ab 66 c0 93 f7 b0 dd 4b dc a8 96 a8 2d a3 e0 6b 8d 0b 12 a5 0e 29 26 54 5b dd 1b f2 3e 78 9e 99 0b 0a ed 4d 0e ec cd 32 99 ab 49 35 fb 92 0f 39 3f fb 0d aa dc 23 87 09 61 95 1c fb b3 21 c1 9e a0 5a 65 9b 8c b8 19 fb 57 a3 ea c1 7b 15 0d 77 e8 1c 84 60 50 6e 53 d8 dd f1 4d 99 60 7d 04 3d a0 05 e6 65 78 b7 d7 1c 5f b7 1c 3a 39 d5 e3 67 72 16 e5 6c a7 02 92 b5 49 e4 1e 66 49 f7 37 fc 93 f9 fc 8a f4 68 d6 60 cf 33 fd 23 07 5e e9 58 0b 86 04 7e ac 3c c8 f3 f4 39 f9 16 1b 34 b9 85 2f 54 dc 05 d2 96 0a 25 52 71 ec b2 5b 38 86 be ea 4a f7 51 74 dd ee f9 36 b3 8f 14 a6 10 29 c0 b0 b7 d0 91 81 4c fd fb 29 79 9e ff 9b 1d f5 8b 58 11 06 b5 8d ce 66 73 55 fe 6f 6c d2 89 22 28 86 99 f9 8a 8f da 6b 0a cb 0b 3c ed 6c 94 29 ed b6 0f 9a 3e e5 31 13 43 cd eb 3a 27 a2 d3 fd 98 cd 1a c0 df f3 06 59 9f 37 e4 3d d0 4b 6e 37 d7 2e 7f ab 67 2c ac d1 33 a4 0a f2 d4 d7 b3 c5 53 80 e7 0b 43 a5 26 a6 e1 b4 b6 63 05 b3 2a dc 9e e3 1f 8c 78 c8 03 fe 6c 30 52 46 2c d3 f7 13 0f 72 4f f8 58 4c c7 28 5b 52 87 bf a5 db b5 11 b3 f7 50 09 f3 95 71 17 74 8e 46 8c a1 dc 81 e1 60 79 e7 ba 77 d8 cd 44 e0 45 70 43 ca f6 47 e1 42 1f 32 4d 57 fd 6d f4 e8 fc 41 2f da 74 d1 f3 a0 0a 23 81 5f bc be 5f 6f 98 02 17 db c2 85 09 2c de 7c c8 42 3f 1f 53 63 39 25 57 e2 e7 d4 26 bc d9 53 2c 4c 87 2f ea e9 96 0b 4c 93 1a 61 99 2e 47 88 20 f7 f8 88 88 28 f4 9a c4 b3 8b 22 5a 8d 7e 29 79 ef 25 87 ee a4 75 7d ff 2a

c0 84 2e 7b 52 1a 98 1b 13 dd ef 61 81 33 b1 1a 23 c2 d8 b2 cb a6 cb 90 eb 10 03 9a 54 2f 6b ac 8c 21 7e a2 85 fd 4c 60 17 88 25 99 6e 63 25 9b 97 7a e7 86 eb d6 be 4d 75 4f 53 28 7f 4a f5 5b 27 94 51 cc 3f 9c 48 fc 78 d7 d8 3a 8d 84 76 9d 9c c4 e2 d8 d8 73 83 21 86 66 29 31 80 19 16 39 48 f9 62 33 a3 6c 02 1b 4e 19 2b aa ef 4d cd 29 13 cd b9 b7 61 14 dd a3 af e5 70 56 8a 66 1d 57 bc 62 d2 c0 93 78 8b 67 56 09 88 ab 30 59 7b 72 21 31 ed a4 8f d2 0a 17 97 e3 ba c4 7e 50 1f 0b 10 c2 bb c4 a2 29 aa f7 17 3e eb 3d 90 f0 d8 63 2a aa 5a 14 e9 f4 d0 dc ca 48 bf 98 a0 39 a1 ec 66 0f 8d 99 a4 75 47 49 46 f2 7e 95 a4 61 b2 e1 cf af dc e6
Packet 2 audio subpacket
<i>inputCtr</i> 012345678c000000
ab 5b 09 2f 67 85 ee de 51 de e5 bb 27 d7 31 25 e2 c9 cb a9 7b f7 3f 79 e6 7e 4c e6 6c 2a 7b 8b 0b a9 f4 0f 37 9e fd 3c c8 8a 83 76 72 79 15 c0 bc b1 d4 88 3f 1f d3 1d 76 eb 72 b1 3b ef 78 32 c7 cd f2 54 aa 60 5d 46 98 3a a9 48 d9 cf 80 b6 13 53 c6 b1 08 a4 b7 fd a3 88 d3 60 b3 f2 90 a7 59 9a 19 df 3d 2a 0a 73 1a 92 f2 08 8d 84 5d c6 58 7b 9f a5 61 a2 f4 e1 16 22 af 10 5b 44 78 4c 50 1c af a8 f1 28 84 3b f2 e9 18 58 18 56 8b 28 2e b9 6d 63 0a 7f d2 c6 ce 1e 17 b1 72 bc b8 77 30 84 63 fa ab 4d c9 87 36 80 ac 21 d9 63 01 f8 bc 1d 05 c5 a8 eb f6 01 b3 41 20 84 83 e3 0b bb 8b 47 1b bd 85 d6 9e e0 80 41 47 9b b0 14 5c 74 41 0e 6e 1c 19 64 aa db c6 bc 38 79 ce 51 7d ee 68 8f 73 75 7c 88 e8 9e f1 2b f2 89 77 c3 6b 00 41 ea 2f 7c c6 2b 8e 60 d5 29 85 64 a2 d0 f7 ad e3 cd 5b 8b 0d 94 9c bb a6 4a 0f 7c c5 46 78 ff 81 47 c0 ca 87 62 d4 29 63 22 cb 6d a6 e6 60 39 ec 68 35 47 7d 83 83 60 ee ed 49 57 b6 b6 cd ae 7f d0 88 36 94 6b af 10 ad e2 a2 b1 45 bd 9a d9 02 59 98 fd 14 d1 de 5d f5 65 0c 7c 02 c8 d9 5a 18 70 95 9c 2f 73 7a a2 cb a4 18 f0 18 8c 7b 0e bc 4b 85 68 2d db ab 94 bc 51 11 59 82 71 ab d1 24 7f 02 7e f2 00 3c 81 c4 68 b0 00 34 96 48 f2 b9 20 98 76 89 fc 90 96 0f 3a ae 91 67 4a b8 e4 88 44 c4 49 df 5b af 69 78 91 3c 01 5c 9c 29 bb 52 bd 7d 3a 7c ba 6d 86 26 cf 10 52 3a 6a 6f c6 8f 6c 1a c3 3e 9f 25 84 2a 77 3d 42 50 64 13 63 2f 54 7c 65 39 6c 51 9e bb d5 0f cd 32 3c 9a af a2 cd 0e 91 62 fb a5 e4 66 5d 39 6a 40 d8 e9 09 65 a9 27 65 22 c7 ad b9 f0 a3 b0 28 9c 4b bc c1 da a1 2b 29 ff b9 8e a8 61 30 93 01 0e 5a a6 cc 86 99 1f 56 d7 f6 32 c5 ed c4 67 fb 9a 0a fd f6 b2 eb 81 7c 47 13 7d 90 9b 08 07 ec 35 94 e7 44

da df 0d df 0c 88 8e 88 61 e7 e1 12 b6 79 ea d9 c0 a5 66 6e 18 8f 58 00 2c 27 78 0f 82 82 b3 8e 3d 92 c3 69 f3 2b 45 fa 33 52 e5 76 4e a6 86 5b 9e d7 0a 5a 13 e0 b6 78 f7 35 96 32 7f 5a a4 b3 04 3d 50 61 0f d1 eb bd 22 ef 28 d4 38 2d b1 b0 48 9d dc 8b 54 92 0e ff 0b 1f 49 39 fd 1b 83 9e 01 56 d1 d1 68 e1 94 69 ab 4e aa 95 4e 13 77 5f 72 a6 8a fa 87 00 d0 50 8b 51 bd 7c f5 ea 5f 4d 0a 22 57 65 a0 ad 75 6b ae 3e 90 2c d8 19 e9 b1 22 81 d9 8a 93 eb fc ee a0 dc 69 ac a8 b7 ff 20 a5 04 1b dc de 67 1c 09 cd b3 31 46 18 d3 e8 69 c5 3a 9c e1 a8 a4 8c 6b 61 d0 d3 98 09 15 b9 05 9f 27 cc 49 1e 71 74 a5 11 36 55 28 9b f6 25 23 92 69 a9 9b a0 9f b5 60 d4 ce d1 80 c6 fd ab 80 a7 a2 c8 fe c8 35 83 72 03 cc 13 5a 38 f9 f3 f0 02 3d b5 34 52 95 b8 28 cd a9 b6 e1 67 81 47 9a 93 5e 47 c6 82 98 b3 d2 0e 6c cf b0 f1 b0 32 90 8a 2a 5d 9a a0 4a 17 b3 92 58 79 52 78 f3 08 62 cf 96 ed 93 2c e9 9c 8f 0b 2e 9c 6c 47 cd e3 3a 99 63 e5 66 10 54 a7 7c 5b 76 f7 7c fd 63 3c ab 2b e3 18 22 83 fc b0 0f e1 28 99 b2 3d 7a 5a 8a 01 e5 74 60 29 5d 85 f9 26 7f 44 fa f8 25 e0 df 19 67 0b 60
Packet 2 video subpacket 1
<i>inputCtr</i> 012345678d000000
12 74 6e ee c2 50 51 52 ea 39 c4 bf 2b 94 2c 9c 70 c4 ad b9 d5 82 bb 06 0b 8c fb 79 d1 1f bf b0 d9 8d cd aa 84 b7 22 92 fc d6 30 d1 68 18 91 d1 4b 8a 35 f8 9b 8f 84 2b 5a 6c da b9 8a 41 58 c0 7f b3 47 e6 d9 46 ce 8f 7c e3 cc a6 cc f0 c4 a5 af cc 75 53 b9 ea d4 47 bb dd 46 80 81 60 b5 bd 9d b4 00 0f 45 2e 30 06 69 77 f9 f6 58 69 3f 1c e4 49 9c f1 28 f6 b2 3f 1e 00 46 11 2f f3 d6 14 1d d0 00 79 72 cf 89 58 76 34 e8 ea c6 ee d9 a4 59 9f ed b7 1d e2 7f 05 f0 23 c6 4d cc de 6f d5 79 9a 39 54 f5 8c 6b 06 69 b8 ea 42 e1 a1 35 d2 0d 4a ff 78 df dd 5b c1 7d c9 5f 51 bd e8 b2 d3 85 ee 1e 3b 7e 86 2b 23 48 09 61 6d d1 cc 03 3f 4f 6f 2b 79 43 f1 7b 9b c0 df b8 08 3c f3 47 42 ea ca 0f 1e 0f 07 0c cb 8b a0 20 be 4a 0b 12 53 70 2a ad aa 75 de 88 f7 5e 58 a0 8c 05 81 f9 6e 90 b7 41 bb a6 ae 42 82 56 4f c4 2f 44 f7 f1 f6 d8 44 4f 2b 89 8c 09 33 2d 32 f5 10 09 06 5e 4b 0a 84 13 4a 6a 2d d3 20 83 a3 2d b5 79 84 b5 48 c3 5c 29 61 3b 04 93 47 17 36 e2 a3 10 1f 13 b4 fc da 28 e0 43 73 98 b5 7f 90 59 b3 20 2d a0 b4 2b 27 82 da 40 3d 36 a8 64 0e 66 92 04 3b a3 ab 7f f3 53 0c c1 12 e1 8f 8a a5 25 0b 59 2f 13 d0 b1 e9 ce 96 a5 72 e5 16 06 8c a6 53 a0 b6 86 20 9d 69 ce 32 25 3c 00 90 5a 5d 67 ba 52 31 11 50

72	1d	a5	4e	56	94	dc	72	bb	b6	0a	d9	cd	8c	1a	4d
dc	3c	c6	0f	65	5d	33	2d	00	43	0d	27	71	93	6a	b1
fb	68	a3	04	ac	25	b6	b1	f7	37	ed	84	18	7f	6e	6c
30	a6	a2	9b	44	0f	0f	5b	36	97	60	88	4d	a2	1d	0e
61	8d	bb	61	eb	2c	75	83	77	9d	85	12	54	0e	13	b2
18	56	1d	10	5a	25	d3	bf	75	85	cf	35	93	3b	80	5f
c5	12	d1	91	b6	4f	84	94	70	6a	ff	d2	37	db	56	fd
5a	c0	a7	28	2b	0b	86	16	90	8b	a2	b4	87	5a	2d	7e
8c	e2	d6	de	a7	6e	0e	ed	99	16	b5	40	eb	93	d8	8b
5c	04	c2	63	b7	b9	9c	54	c3	fe	57	c0	0f	3f	ec	b6
e9	e3	01	94	11	5a	c8	24	9f	e4	e6	9a	2d	ca	32	41
91	06	25	36	45	da	d0	bf	86	f2	26	79	c8	f5	0a	ff
27	8f	66	f6	76	6e	c6	bb	86	f6	f9	7f	86	e0	07	b3
f7	37	2f	ce	85	bc	13	1b	bf	3a	54	a6	a7	7e	e4	51
47	09	b8	f4	65	61	49	b1	85	d0	60	9c	0b	d5	e1	a2
66	45	54	13	9d	3f	2b	a3	ac	21	58	55	fc	1b	51	8e
e0	99	53	b0	34	ce	32	b5	91	8c	1f	53	92	f6	65	1a
4b	16	c2	81	4d	7f	50	9a	f3	9b	9d	39	fd	c0	f5	d5
74	5e	66	47	26	73	4c	a5	09	18	c5	a4	c5	0d	9c	6d
39	12	d4	a4	71	69	80	f4	51	1b	77	51	a5	bf	9a	a5
4c	c4	10	d6	d3	51	dc	45	d5	22	b6	3c	ca	32	cc	9f
e1	26	4b	64	10	32	51	10	9d	88	a8	2a	04	bb	ed	6c
5e	dc	9f	c4	fe	4f	9a	7a	d6	95	e7	70	42	56	52	f7
2f	a0	55	f3	f1	d3	05	56	af	6f	a2	b5	2b	55	9b	d8
8f	8d	b6	ed	5a	a8	59	50	b8	85	06	95	f1	d4	2f	c7
e6	47	c3	32	26	f8	5b	84	07	12	8e	b6	a4	95	45	4e
b6	85	ab	6b	df	cd	6e	2b	10	69	4e	47	12	11	b7	5a
ab	05	3d	56	93	a4	df	f6	c1	29	2a	60	7b	e4	e7	de
3a	ec	a2	78	cc	ee	b0	bf	09	4a	79	f3	40	4f	0f	68
85	d2	52	58	4d	56	b3	7a	ea	e7	b3	82	62	a1	61	24
e8	e6	d1	30	f7	6f	a0	d4	dc	ee	32	51	6d	4b	d6	71
f1	78	68	22	e1	90	48	c6	31	a3	c6	a4	fd	11	27	3a
df	02	fd	e9	6d	99	44	96	dc	9d	58	72	0e	57	e2	c1
2d	09	0b	7d	6c	59	7a	7c	b2	9e	17	68	8b	99	2e	c2
65	63	b6	2e	05	51	2a	ed	eb	2b	56	6c	ee	41	a3	7d
d5	c1	be	af	8a	84	a9	ce	80	49	16	17	d1	32	c0	c3
59	1a	fa	8a	67	69	4a	7a	22	8c	90	45	94	35	37	6f
00	d0	07	0e	b3	d0	f5	dc	ad	0b	e3	c6	a3	dd	3d	91
2c	ab	c1	e3	f5	9d	a3	13	d5	1a	45	86	0e	21	89	5f
d6	14	62	74	1c	7c	05	f9	48	4b	82	5e	c5	62	bc	9c
0b	13	4a	c0	8f	76	8f	f2	a2	97	1e	5f	cf	d5	9c	ae
ed	71	ab	e1	4e	81	01	6c	67	54	13	42	55	31	c7	73
96	b7	82	f1	8c	57	2b	35	86	77	10	7b	99	fb	3a	5a
8e	62	f5	6e	ab	aa	95	27	8f	34	30	17	d5	0f	06	1b
a8	86	11	73	59	6a	5f	b2	47	80	c8	27	4c	e6	a3	a7
18	55	7c	be	06	2a	89	97	9c	3b	d1	38	eb	2f	1b	7c
7b	7d	76	85	bd	f4	d4	4f	f1	78	c5	cb	8d	bb	54	36
61	77	f1	6a	bd	22	c6	f2	81	15	e0	01	25	a1	53	bb
26	f3	af	10	0b	7e	82	b0	ef	5e	8d	c5	6b	84	d1	ff
9d	a5	04	7d	53	fd	d4	90	62	af	6b	b8	75	7f	ca	30
84	f8	77	e5	2b	a9	44	10	f9	69	e2	e4	d3	ee	2e	4c

9f	c4	e3	fc	cf	dd	5a	22	0b	89	a5	04	2c	ee	7d	40
35	5e	46	cd	38	b6	f7	2c	a8	11	3c	d7	05	35	8a	95
42	ef	30	ae	f2	f5	86	84	42	90	1b	75	8e	95	25	49
f8	63	9d	d8	89	30	58	fd	b4	04	d7	08	a3	74	5f	32
14	59	ae	a0	66	38	30	42	e2	04	ac	48	2f	a6	e6	23
5f	bb	46	c2	95	74	c9	2d	03	e7	4a	81	36	fe	e7	5c
ea	1a	26	06	19	ad	b2	7a	e3	96	cf	f1	5b	3f	b3	72
81	87	ee	1d	93	3e	a3	ef	70	88	58	b6	af	78	63	91
23	ad	5a	80	60	9a	f1	21	6c	f8	de	20	ab	c6	f7	09
8b	4a	3e	0a	0c	4b	e7	84	d9	9f	e6	f7	61	b2	3d	99
fd	03	bf	24	94	d6	99	c5	cc	fe	b8	29	23	4f	fd	3c
23	09	67	72	13	0e	46	5a	04	9f	7c	1b	27	27	06	aa
d4	f6	f6	c8	33	2c	77	46	50	bd	39	ab	bb	d4	c9	b2
da	d0	39	2c	e5	93	ff	39	d5	cf	0b	18	3c	e7	a6	7f
a6	49	8d	e6	a6	fd	f9	bf	e6	f1	ff	67	23	72	b4	0e
7e	03	1d	12	35	85	0d	12	02	92	6e	7c	f4	8a	f5	3e
3a	b8	d1	f4	54	f2	3f	b2	5a	71	87	75	bd	c6	de	c6
fd	31	b2	76	c2	9d	a2	9d	0f	6b	25	cf	55	6a	4d	ad
29	a2	85	c4	f1	6a	34	85	8a	3e	9b	15	2c	6e	e1	ff
ee	a8	a8	2d	78	c1	ef	88	7a	1a	c2	34	1c	63	db	4a
45	8a	95	a3	e7	8a	04	90	da	c0	f0	b6	50	f5	28	80
7b	df	82	42	58	50	e8	ba	98	10	1c	68	c6	bc	92	62
93	37	05	5d	ab	2d	ba	f6	e5	c0	2f	56	7c	69	88	26
28	16	a5	8b	87	d8	00	d1	ad	99	57	b5	54	3b	20	ed
f6	c8	b4	e8	cc	d0	55	ef	e8	e4	a8	65	1b	48	42	6b
3b	fe	a3	0e	8e	b4	97	44	63	9f	b1	ab	99	3c	3a	5d
d1	d1	00	c3	d6	74	c0	38	8d	57	94	de	db	a3	fc	41
79	e1	4a	a7	cc	2b	0f	ca	b7	47	63	91	be	62	7c	37
c9	1f	d6	bd	64	ff	cc	f9	da	45	0c	e4	73	f2	90	9d
9e	b2	eb	bb	71	b5	67	28	0d	de	66	eb	74	12	c6	a5
17	18	5f	41	b4	81	88	4e	3b	69	41	16	de	f5	67	a6
c2	85	4d	21	a9	2e	c5	c9	a2	3a	0a	51	83	6c	ff	15
06	b5	d9	c5	8c	37	63	9b	ac	a6	3e	f0	1e	37	d8	a6
3a	43	5e	34	00	51	44	11	82	a2	22	df	5d	17	83	3a
e9	f0	e6	2e	a3	b5	f3	58	cd	40	30	e9	7d	1d	c9	7e
16	1c	d9	45	e2	e5	8a	a0	55	34	ae	a4	c3	82	d3	a4
75	a1	1a	e6	4b	87	ef	e8	1f	63	d7	15	09	df	69	2a
6b	2a	04	30	ab	4e	9d	02	7b	5b	0f	cf	c6	67	4d	59
89	91	07	37	1f	dc	12	ab	b8	87	9e	b6	d2	a5	4a	89
b6	57	c5	b3	f5	b0	52	b6	e2	4b	8f	86	07	17	15	80
84	7e	60	4c	0d	12	42	a9	11	87	03	9e	87	64	12	19
71	f1	73	38	14	cd	5d	aa	a1	15	65	4a	bb	36	f6	fc
18	11	fc	e7	35	be	9e	f2	f0	55	dd	bf	03	c9	ee	7c
04	dc	10	33	35	7f	44	be	5d	4c	78	6f	ec	59	89	c2
39	d1	68	e7	29	3f	e6	8a	f9	32	97	13	06	01	4b	e0
cf	9e	d1	c8	0c	0c	ef	43	5a	13	3f	95	5e	37	00	b1
2c	3a	36	6c	d5	0c	e8	98	07	cb	24	fe	53	91	2c	c3
06	ee	22	04	2d	d4	fe	c5	39	37	ce	e9	1b	f5	4f	68
fa	27	19	95	aa	6d	53	a9	8f	7e	12	24	da	4d	59	ba
26	b1	ab	28	d0	bc	34	8a	6b	e3	30	43	f1	fd	fc	cd
3f	ed	bf	c2	06	d9	14	81	19	c2	34	29	aa	0d	5a	a9

9e	32	0c	e6	10	6f	94	8e	b0	f2	89	17	b2	8f	9f	de
b5	a1	43	93	18	b1	2e	8f	49	b8	41	6c	a1	aa	03	be
ce	9d	94	6a	da	d9	7f	b4	a0	e8	9a	f8	99	c0	0e	c9
0e	69	1e	a3	5c	1e	be	7d	61	30	75	2e	a5	a5	29	2a
cd	e0	32	a8	e0	77	d9	ea	27	e6	f8	3d	02	e9	b5	61
50	68	95	7e	b9	c9	76	f8	19	34	20	04	c1	d3	ff	d1
ab	26	ba	4e	74	e8	da	cd	83	59	01	db	56	9e	ae	72
da	cd	57	9b	ed	b1	f6	8b	dc	5d	8f	10	1a	5c	ac	57
63	26	9c	68	9f	40	cc	5b	b4	cf	c5	62	48	17	a2	75
5d	6e	48	c8	7e	60	cf	55	82	d0	56	f0	03	ba	1d	13
a2	07	03	fc	73	30	4d	ba	07	92	81	1f	75	d9	6c	ff
e2	ef	99	f6	f2	0f	54	13	18	03	14	e1	0e	d9	37	39
8c	39	47	63	e0	ef	3a	15	ea	ce	58	4d	8c	e0	f5	c9
a5	32	1f	ac	f2	47	7a	76	52	14	18	bf	28	80	25	04
76	10	af	28	4f	c6	87	87	27	76	b5	9e	b4	d2	c4	cc
26	75	ce	7d	c8	8d	e1	6f	89	fd	c5	35	e9	39	0f	38
f5	06	07	b4	83	e0	31	e9	da	75	42	4c	42	60	c9	e0
a8	88	cb	ce	68	64	5c	ca	05	49	2d	27	97	c2	5b	0c
04	f5	b0	04	5d	43	5c	ae	b5	90	ee	73	32	fb	2f	79
07	13	9a	2c	36	e6	ac	f4	7a	07	5b	dd	2b	52	19	5c
89	6f	35	a0	20	ce	7b	e8	31	f1	5e	a6	0c	af	c0	7d
95	ce	7a	4c	c8	fe	e4	14	03	db	d8	ee	63	d4	59	0d
51	75	03	d1	04	ef	90	37	9a	41	17	8d	b4	04	85	0b
15	8d	8d	0d	bd	eb	7b	ed	d3	d1	c9	4b	2f	db	9a	17
53	4d	43	33	b9	48	57	bf	13	54	8c	e9	15	4e	0c	63
24	da	54	a9	52	4c	b8	23	79	ca	b8	dc	89	2c	97	e8
ee	22	2b	ee	9d	37	30	b0	fc	d6	fa	ef	8a	18	5e	b5
5d	53	1e	9e	f4	1c	0c	d9	36	10	f9	58	39	f9	8c	ff
7b	af	e9	44	5d	a0	c6	b8	83	07	bb	e1	d7	d4	c7	8f
85	54	52	33	03	79	92	8b	36	37	30	e3	cc	55	35	d9
f2	b8	25	08	3c	4b	9d	e4	9c	2f	48	01	8d	bc	aa	9d
04	77	20	60	c4	4f	9e	46	de	04	7f	43	c6	09	a3	78
12	4b	f4	59	e6	af	37	9c	40	2c	e8	b9	37	bf	4c	54
d2	88	1f	bb	1c	3e	da	75	f5	14	dc	c3	e5	a4	33	23
fa	ef	bd	fe	6e	7c	a4	a2	85	db	a3	84	ae	54	cf	ef
1f	29	c5	42	d6	c8	2b	27	3f	57	ac	d6	58	b2	e9	fe
67	d9	76	fe	d5	88	52	81	f3	fe	2d	b3	83	0e	68	09
43	0e	46	c7	9e	23	e4	c7	98	7f	2f	c0	61	b1	7b	5e
41	61	31	a1	77	2b	c3	44	46	68	ed	3e	b7	80	61	03
14	18	a8	6e	03	00	7c	0f	06	d8	a4	89	cb	b3	4e	13
3e	33	1c	22	23	e0	65	01	ee	9b	ab	ff	13	29	eb	3d
ee	a2	75	fb	98	8d	90	66	8f	f2	ea	83	e4	37	55	2b
c9	39	4b	5a	99	3e	aa	1c	df	90	88	33	30	23	db	76
42	6f	3c	5f	2a	64	9c	7a	1b	5b	c7	5f	cb	99	36	9b
27	72	99	06	e5	31	55	db	df	70	eb	53	2b	f8	7c	c8
0e	82	ce	98	76	2f	b5	a5	b1	fe	d9	4f	e1	3f	7f	d2
e9	90	74	27	a1	21	0c	e1	c1	52	d5	30	00	5d	b9	ee
61	24	b2	87	98	b4	1a	3a	c7	b3	12	c3	70	e9	54	c6
5a	22	25	22	e4	5c	3c	86	7f	99	26	da	e9	d9	7c	4f
2c	9e	dc	f5	67	c5	af	54	db	3e	c4	12	a6	cd	e4	67
e7	90	d9	33	99	b1	9b	56	68	1f	89	30	c1	f2	fd	a2

24	e9	bb	69	d5	07	df	99	44	a4	67	e4	7e	a2	54	9d
df	68	71	21	88	59	6a	8e	04	e5	33	7c	32	87	02	98
21	54	9c	d6	f7	23	bc	90	21	7d	dd	c3	85	7c	44	67
1e	65	07	a1	de	5a	77	64	54	72	7b	05	60	f2	52	23
a7	12	d1	e3	67	22	c6	ac	31	2d	3d	8c	50	6e	4e	3d
17	4d	19	0a	51	88	49	82	90	cf	6b	2a	21	34	f3	96
69	c6	aa	74	9a	0b	d6	7d	65	f1	36	c3	c5	f7	f9	2e
77	2b	ab	ff	32	06	db	90	10	d6	95	1a	3f	d5	32	2f
2b	1e	a0	b0	44	6a	46	2c	90	b7	91	8f	47	71	2f	7b
d0	8e	39	be	30	c4	6a	b4	98	3d	44	66	be	53	13	86
1d	0a	de	4f	10	d6	ab	d3	a4	0a	30	db	a9	ad	fe	5f
6f	1b	42	a8	6e	42	16	2f	49	7d	ad	15	f8	fd	10	6a
3d	aa	0e	84	2c	8c	5a	34	e2	2e	1c	e9	a2	b9	b5	dd
c5	f9	b6	0f	13	72	1a	b0	74	c3	41	d6	e1	d5	ed	cb
a3	6f	cb	c2	e8	6e	0b	c2	84	7a	5d	f1	06	57	29	a9
92	88	36	4f	5a	4a	ee	d1	c0	20	94	49	56	87	7e	30
28	7b	61	99	58	9d	d1	bd	5f	a1	a0	27	20	ca	cf	7d
b7	56	f8	26	c7	fa	bc	95	93	11	7a	62	55	22	de	58
34	28	55	00	4f	68	b6	d6	3b	8a	8d	98	16	99	7d	33
db	ad	86	95	de	8b	10	b1	11	03	ee	48	8f	b1	a7	0a
e8	1e	f0	32	b5	2c	a8	92	38	fb	ec	d6	a5	d9	f8	8d
cf	12	6f	e4	95	43	cb	2e	15	07	d6	35	7d	d6	06	41
6d	b2	29	a5	66	16	6c	45	3a	d0	c2	99	6f	16	76	48
fa	a5	2b	0c	84	e1	9f	18	38	c4	53	2f	19	51	0e	2b
bb	2a	d0	12	80	03	fb	85	dc	1e	c0	b9	47	ef	7b	b6
d0	3d	6d	29	d6	6c	26	6f	d3	89	77	ca	b5	43	44	0b
4f	71	6e	b4	5b	cf	9f	05	fb	05	f4	9d	72	2c	dd	1f
87	0e	f6	4b	0f	ff	85	6d	5a	a2	91	dd	31	4f	bb	36
ae	d3	06	de	62	aa	be	16	f9	dd	45	ad	df	91	2b	ea
60	89	36	ba	20	c5	6c	0d	14	bb	3c	42	1d	38	14	2e
8e	81	28	80	34	8f	35	48	10	6e	e7	53	c9	69	59	24
0c	ed	6d	73	8e	77	25	f2	24	12	d4	24	af	8c	4e	65
c6	cc	aa	dd	34	4f	a6	71	2b	6d	61	24	13	73	12	56
55	ff	39	b5	93	80	1e	2c	b3	81	1a	11	7f	fe	30	8a
dd	68	97	4b	48	45	fd	c0	cf	68	af	33	f0	c4	20	7f
34	43	57	db	e7	c3	21	62	e5	41	4b	b0	69	64	15	69
f7	e7	79	57	1f	9e	ab	da	63	0b	8d	b3	37	17	08	55
e6	6a	bf	56	79	1a	4b	b6	cd	81	ef	7a	0a	f7	96	c0
dc	9c	42	39	40	5c	53	ac	07	50	be	91	a1	2b	f0	45
ca	b3	02	09	5d	2b	93	08	58	d5	56	de	3c	0b	0c	3c
35	92	a1	b7	56	f5	c6	ce	67	d2	cd	8e	16	95	4d	fa
71	2e	06	48	da	38	7f	b4	04	31	83	3d	a4	27	4e	36
89	f0	64	dc	5c	b4	38	a7	c3	e0	50	04	12	d0	86	5d
59	f9	66	c0	92	29	04	98	a8	be	bd	9d	69	7d	cf	6f
70	9f	82	10	7f	66	0f	a2	69	5b	94	c0	29	c5	16	ce
85	98	e2	11	9e	87	c2	c6	4c	4b	bd	55	d2	20	a5	a4
d0	eb	81	3e	88	45	4d	05	9f	e7	ed	51	f0	b0	a5	18
e3	b6	52	da	75	51	4f	5c	9d	a5	6f	d7	44	53	b7	56
56	93	96	42	1b	21	3e	e4	bb	4e	5e	46	38	94	33	75
69	75	45	96	8c	15	2a	c7	bb	03	df	60	9a	08	d5	8d
fb	31	0a	91	e5	8b	d4	36	eb	43	85	4d	77	7c	7d	cd

f4	62	cb	39	8d	6c	64	87	e8	7f	b3	6f	03	d3	da	ac
04	bf	3d	5e	aa	17	ca	06	d0	db	95	bd	ce	c3	f0	be
86	6b	3d	20	20	28	d4	51	76	c3	e2	77	64	ce	5b	50
33	47	c5	66	3d	dc	2d	90	6e	1b	dd	62	10	eb	91	e8
6c	e4	d7	06	65	88	85	05	39	54	f8	c0	79	05	b5	1a
c4	f6	e4	81	6f	4b	4a	0f	20	d9	77	e8	28	e3	fa	54
0b	85	86	07	c9	4d	19	be	93	12	64	19	af	6e	ad	d7
f0	af	ad	cc	50	40	33	84	b1	a5	5f	15	42	9d	6f	ee
24	0d	c9	09	4a	69	29	ee	20	b2	dc	ac	be	5f	53	11
91	80	a1	07	6e	43	a2	af	4c	3f	de	55	77	1e	37	f3
eb	bd	17	00	12	5f	d0	5d	a7	8a	66	b5	55	7a	48	40
5c	67	62	22	31	2f	b5	fc	43	14	e3	24	9f	a6	3e	1a
78	4d	2f	bd	bb	c4	83	e9	2c	ca	89	38	12	e4	76	2a
21	08	db	af	a9	88	7c	74	9a	98	60	6e	a6	f4	1d	86
e6	2e	db	28	b0	35	81	ec	de	fc	df	fb	d5	67	c1	c3
f7	22	81	8e	38	8c	72	e7	23	3e	00	00	7b	cf	d6	e6
8d	70	92	a6	24	d3	94	c4	e0	92	44	68	e0	b7	cd	6c
84	40	2d	e0	75	9c	ee	7a	b6	ff	c5	3d	7d	f5	e5	73
94	27	aa	ef	98	4a	36	c3	ef	46	0c	70	cf	18	cb	4c
25	1e	d8	d7	90	53	14	02	b4	28	0a	6f	ee	49	cf	bf
9a	da	92	01	1b	6d	27	52	26	a7	aa	6f	a5	f7	4c	50
23	13	4e	da	ee	e4	f6	8f	93	49	f7	d6	71	cb	fc	3e
63	3c	15	21	e0	a7	f2	15	14	82	2c	9b	96	0a	52	f1
f0	f9	4e	9a	ce	14	7c	a0	50	bc	21	94	18	01	10	cd
e8	8f	03	6f	77	41	87	b3	34	22	7e	94	b4	3f	5a	d9
ce	6f	13	8e	94	9f	f3	81	f4	53	48	fa	f2	f5	f9	c9
0d	24	45	ce	24	c9	03	af	58	b4	13	05	b2	5c	44	15
c7	37	01	3d	5b	55	17	97	67	2b	d3	12	95	74	dc	f9
29	3a	29	42	d2	f8	f2	03	15	46	fc	69	f4	72	cc	57
a9	10	c9	e4	63	c6	b6	64	3e	f6	58	84	f0	a5	e1	12
87	71	64	78	af	48	b5	b4	6e	78	1b	22	c2	45	11	d3
bf	50	b9	f0	8f	1a	83	44	18	1a	d2	5c	07	95	59	20
12	63	c9	eb	8d	38	94	29	9d	91	3d	91	20	0c	7b	e5
79	ad	6e	fe	56	be	53	ff	aa	5b	5c	39	ce	88	20	1a
a6	27	ac	b5	d4	8a	33	66	2c	90	b3	b9	b1	78	eb	50
5b	ce	b5	3f	30	7b	67	db	07	ac	99	33	d0	32	90	ad
06	69	df	a4	9b	5e	06	52	4d	01	89	62	99	8f	bc	56
4c	2f	c8	76	95	41	24	4a	42	05	1d	62	7c	c7	5f	aa
13	2f	5a	25	35	2f	00	94	94	aa	3e	d6	52	ba	0e	17
4e	53	f9	de	72	a4	1a	91	c4	98	c7	9f	ba	a5	c1	67
23	bd	46	52	70	ca	c5	0d	e0	63	c6	cd	13	0b	8a	2e
f1	64	95	25	2f	11	5e	3f	58	80	86	79	54	fa	96	13
43	27	3c	c1	42	d2	a7	08	88	5d	31	a5	d8	df	cb	a0
3e	92	07	b9	2f	46	62	d3	ed	4d	3d	53	ff	ed	1e	1c
ac	43	78	8d	9b	0a	53	70	46	17	b1	6b	8a	df	8d	2c
f4	d4	67	45	ae	7c	53	cd	f8	80	77	53	fc	6a	1e	92
e8	38	56	28	88	b5	a3	12	8e	fc	3e	74	15	af	bd	fd
b9	5e	ce	37	5f	94	70	ec	1e	f2	31	fb	01	ae	77	dc
a3	75	cd	a9	ea	d1	a0	50	ac	3a	4f	0a	96	fc	a0	08
91	54	3a	1d	58	7c	b8	44	33	07	9a	66	51	a6	49	bb
4b	35	ca	fa	ba	be	e8	db	db	65	86	e0	bf	a6	8e	05

e8	d2	b1	92	21	07	04	6d	e6	ca	6d	78	fd	6f	1e	5c
a8	2d	a7	07	98	bc	26	2d	a4	a3	18	e7	34	f5	56	9b
43	d7	87	59	b1	61	81	10	b7	09	a8	cf	e1	ce	5c	0b
b1	5d	ae	55	65	70	e1	7f	48	fa	47	04	70	28	ff	e9
ed	40	ca	ec	30	c3	81	c2	87	66	96	d1	51	99	22	04
49	34	ed	e0	3b	d9	19	9f	fe	2e	d9	6c	78	d6	20	09
93	04	b9	df	64	3d	64	6c	ed	dd	b7	dc	f3	73	40	29
de	70	66	06	75	c9	9a	01	4b	77	2f	55	71	78	aa	84
8b	19	27	cf	dd	d5	29	af	00	79	8b	53	43	7f	b6	4e
16	12	16	76	8f	50	fb	84	aa	75	84	21	0e	cd	99	42
03	6e	3a	cf	22	1d	ca	06	cd	6e	1c	8b	fc	5f	80	13
3c	5f	f7	a8	3e	6e	39	b4	aa	6d	25	20	ba	8c	2a	8a
13	0b	73	90	03	e7	c9	75	97	60	36	e8	aa	81	d8	70
4b	e4	0e	18	5f	f7	ff	2c	95	4b	b1	50	6b	68	e5	58
38	d9	de	bd	3b	89	35	c7	11	6b	0e	6f	4a	d4	26	b6
20	a3	1d	a9	c4	e7	cc	9d	fa	f4	af	4a	27	bf	1d	e3
28	b3	33	1c	c7	a1	42	fc	3b	74	b7	56	05	01	d5	4c
e7	ea	05	d1	92	b8	d8	79	67	25	d7	23	f1	33	1b	fa
34	8b	b3	0c	51	c6	53	cb	89	8e	7f	93	e8	d0	1c	05
af	06	63	a3	46	31	4b	55	43	03	3c	10	2e	7e	8a	92
a0	17	4f	67	db	95	32	f9	02	59	3b	20	ed	e0	dc	c2
9b	39	c9	57	1d	b8	0f	2a	81	3c	06	aa	36	91	e7	9b
22	03	57	0d	51	26	a8	0b	54	72	08	6e	ae	aa	65	2c
e4	55	36	8b	11	76	52	13	57	e2	77	c5	5e	2e	44	93
fa	b6	bb	ff	56	04	ce	d1	c2	e1	8a	be	24	99	a6	47
c5	b3	f3	db	9d	fa	db	82	5d	20	83	fa	67	2d	93	c9
26	94	0e	0e	03	db	62	94	bc	f9	8a	a3	44	52	43	cd
8b	00	c4	5c	ec	4b	9c	88	20	54	15	22	65	16	ad	be
17	a1	cc	3d	33	b6	e5	50	db	3a	1f	bb	c0	87	dc	07
bf	45	09	7b	93	d8	59	2f	3c	7b	a8	19	d2	26	81	d5
79	70	96	fd	8f	cf	34	7c	8a	a6	14	30	82	a6	63	3f
1d	51	a4	76	d7	a7	ed	d6	0c	b3	c5	78	d3	11	7d	f5
c8	ee	74	2d	20	62	43	db	7a	a3	3d	c9	f2	63	73	63
ae	47	c2	f7	06	e7	45	09	d0	97	ee	39	6d	cb	4b	bc
81	b5	3b	44	f7	e1	a6	c0	2e	dc	0f	c3	b6	8f	0e	17
47	e5	14	3d	c2	54	bf	cc	9f	75	ea	ba	b9	33	a7	e7
77	78	f2	aa	71	89	ab	c4	ca	ad	be	04	b4	70	dc	2c
21	f1	67	4d	b0	78	78	80	66	d9	36	8f	ac	bd	6a	36
20	b4	f2	36	37	39	7b	ac	cf	82	9a	1b	b7	ad	f7	3a
5f	82	e4	26	13	50	a3	2f	52	76	c4	d4	fe	ec	2c	d9
1c	61	24	8c	e6	8a	53	42	61	80	a5	70	f1	77	b7	84
2c	e3	63	6f	ce	3b	02	29	9f	3d	1f	c0	87	9a	a4	38
b4	16	39	97	1a	e9	12	22	b5	bb	86	14	28	5b	39	c9
1c	40	91	4b	0b	76	a0	8a	e0	30	54	38	f2	74	13	5f
d6	de	49	a7	67	f3	d9	72	98	e1	1b	eb	da	b8	a9	60
46	68	d2	d4	c7	c5	b7	e4	d9	0e	8a	90	a7	eb	97	6e
c0	e5	00	1c	f2	7b	5f	3e	07	c5	f0	12	2b	c6	0b	6c
1c	58	29	26	83	93	a6	80	32	f1	97	d8	71	de	f3	5c
44	52	ef	9f	e0	71	2f	fa	69	ac	25	e6	c2	ba	66	8c
e7	d2	c9	de	a4	6a	44	93	e9	13	fb	4c	3d	f5	3a	7a
71	52	60	58	35	22	1a	1c	07	07	ad	b5	84	a6	82	89

09	9a	aa	24	c8	8a	9c	4f	a5	ae	d5	e2	68	14	7a	41
5f	49	e7	fb	67	d4	51	ec	2d	6d	ad	a9	96	b7	45	0a
36	15	e6	5d	b8	c9	7a	72	87	3d	05	6c	8c	1b	3f	b8
40	e3	5d	00	c2	ae	5e	cd	92	b6	b6	cb	e5	a7	71	3b
c6	64	d4	95	90	df	dd	11	91	56	4a	d1	9d	6d	08	6b
01	64	7f	02	b3	32	19	ff	14	ce	5b	a8	11	ec	1e	9e
7f	f4	08	75	53	df	5b	5f	58	f1	a9	ad	10	2e	08	53
40	02	6b	92	07	ea	25	eb	3f	61	da	62	27	54	94	fc
9b	ad	3f	ea	f6	7b	de	19	97	76	af	8c	b7	f5	8c	cd
14	0d	24	d4	b3	e0	9d	c8	5d	d8	b7	14	3d	04	26	6e
49	d6	06	14	ef	4c	15	48	c2	6d	1c	e9	54	26	e3	dc
ce	18	6c	83	e9	d2	dd	97	1e	b6	51	f5	8f	16	09	0c
70	6d	3e	38	b4	59	e7	79	63	65	1b	b2	da	3b	99	ab
b5	99	34	99	7a	c1	c2	8d	96	e9	4d	3b	c9	0d	73	6d
0b	e2	6e	be	43	17	64	3b	b8	2d	0e	0a	00	8e	c7	78
8e	71	bf	33	a3	80	2c	e4	9f	ac	5c	42	5c	8c	ab	ec
05	23	cf	af	29	82	cc	d1	50	79	aa	7b	46	7c	7b	7d
51	58	83	da	4e	7f	f8	ea	e8	7b	e7	a5	3c	0e	c1	c7
2f	31	ba	42	76	ae	e5	97	0a	09	c9	c4	df	28	a2	ea
73	18	71	c4	db	5e	d7	ad	a7	69	7e	f7	db	b6	9d	10
b9	97	8e	b7	52	0b	01	8b	3e	80	4c	f7	c5	ff	27	f7
b5	f8	e1	6b	98	f7	a4	3d	95	6a	e6	38	fc	ff	17	c4
32	17	50	ef	0c	2e	92	56	59	9f	2b	9b	6f	5b	c6	ce
0a	69	f5	cd	06	29	b0	15	0f	3e	f2	bb	bc	62	28	c6
0c	da	ec	e4	77	fa	bd	8e	ed	ca	93	d3	06	ab	f9	dd
1f	f3	e5	65	f8	2e	92	ba	59	c3	38	3a	90	af	84	65
72	e3	4b	cb	10	2e	44	72	6d	65	62	d4	f3	a1	38	22
2d	00	b3	57	71	66	ef	cf	3c	7e	64	41	81	8c	e3	8b
c0	2b	82	c2	cc	5d	ed	6d	b9	6f	32	e6	fe	ae	4a	b7
09	3d	c6	d5	e5	96	ca	ad	05	51	ce	4a	e1	0f	53	45
61	7f	3b	e4	c9	91	39	bb	f5	5d	cc	62	96	3d	2d	80
3a	9d	71	1f	4c	51	23	ac	fb	cf	2d	e9	2c	55	6a	2b
42	d1	6e	03	04	e2	de	0f	24	65	8b	6e	b5	b7	45	53
32	db	9d	89	2a	b0	5d	f0	e3	3f	b5	00	5e	be	64	69
dc	22	c5	dc	ec	bb	26	16	9f	07	1e	5e	b0	b1	73	f1
77	9c	6c	f4	96	e9	fb	4d	13	e8	e2	4f	5a	7f	87	27
84	10	b1	f5	90	04	66	dd	16	42	ee	e7	0e	81	94	a9
09	5d	b8	e8	19	f4	f1	52	92	a9	91	b1	90	2a	a1	9c
a7	ab	46	76	61	55	4a	2d	00	19	fe	8b	94	c9	c0	7e
25	72	e6	33	cc	3b	f0	6c	21	23	4d	12	2a	84	3e	1d
41	7f	30	91	09	14	bc	62	66	20	49	96	4b	44	46	d5
ca	a4	ff	82	40	f0	db	7f	85	1b	be	33	2a	a0	c2	17
e1	4a	ce	76	ce	c9	84	d3	46	c9	5d	72	ba	66	ee	85
e3	17	f5	75	04	e1	30	7b	ca	ff	30	27	1b	b5	ab	f0
26	bb	48	2a	b0	ae	6e	b9	9f	a0	8b	75	92	70	9d	9b
17	52	27	d8	86	4b	29	ab	e7	5e	15	43	f0	29	de	f9
df	e9	93	db	de	98	72	0f	4c	93	c4	97	2b	07	af	ea
7a	9d	92	df	14	c5	8f	6f	c4	f5	ad	dd	58	5e	49	fa
90	4f	c7	06	24	ca	55	ea	6d	ee	a1	a4	b8	c7	33	6c
bf	00	3a	f5	c3	ae	88	d5	71	21	4f	46	29	48	f3	0a
c8	6b	5d	66	92	c4	56	49	0a	d8	a8	5c	f5	91	d7	d7

c9	3c	8c	b1	98	fc	b0	80	c7	d0	87	03	1f	18	45	9e
ff	36	9e	88	22	00	17	40	52	69	eb	ca	f5	1d	38	fb
79	67	e2	17	b2	52	9c	13	6b	83	ed	fa	5e	e2	0d	4b
43	76	0d	37	bb	2d	8f	ba	84	71	8a	4e	e9	69	9e	55
ef	44	fd	04	5f	a5	f7	38	55	e6	87	6e	e4	58	3d	36
2b	1f	86	4a	f9	2b	c2	0c	0c	22	95	f9	55	9d	b3	be
cd	46	2e	eb	b6	e6	9f	fa	c0	fd	a5	de	e7	96	bc	9b
b6	f2	47	01	dc	89	c1	e2	07	c3	8e	9f	ae	5c	60	cb
73	51	ca	d4	46	1b	3d	c2	96	ba	2e	d7	e4	cb	4c	d4
cb	57	1b	5e	bd	1d	3b	25	86	00	0e	85	a7	24	7d	f0
bb	56	81	a2	a0	e4	9c	df	c5	9a	03	fd	e9	a4	42	6c
d3	a0	d9	53	ff	7d	2d	5d	a5	e5	e0	02	de	c1	4a	27
56	bf	a5	7f	3c	ad	4f	1c	1e	a1	0b	a7	90	54	44	b5
b3	7a	2f	7e	5a	a7	c4	48	30	9d	15	25	25	96	12	12
57	3e	01	56	b6	a1	57	6c	19	46	a0	6b	fb	39	d9	02
45	21	91	f5	ed	bd	91	30	99	e9	70	ab	85	26	d6	8e
1b	73	d0	33	89	c6	51	8a	d7	54	9d	0d	68	e5	ca	09
d8	7e	fe	a9	10	71	2a	59	40	eb	a4	76	ea	53	c4	77
8f	52	83	6c	fb	6e	d3	b3	52	f8	e2	fe	cd	aa	85	2d
5b	fc	94	06	7c	29	9f	96	16	ca	be	18	61	29	c4	20
36	08	4f	ea	7a	9f	1f	0f	94	07	a9	1e	29	4f	0a	da
58	f6	19	df	99	21	d5	3d	0c	4a	c9	37	73	dc	84	9f
27	dc	2d	de	53	d5	ff	b4	a8	9c	e7	6c	1e	8f	43	7c
a7	d3	91	81	9f	a9	34	e1	5d	3b	76	ea	b0	f7	b8	fd
4d	cd	3e	5f	be	cb	4d	0e	52	ad	ed	89	27	ee	09	09
4a	c0	4e	8d	42	21	c8	cb	bf	3c	b2	f8	95	fe	48	98
c7	c1	05	f1	87	28	6e	7d	4d	39	2e	0f	e4	d9	75	23
a4	61	1e	0c	9e	d7	2a	8b	d7	a1	91	c1	20	7c	3b	8b
45	85	45	f5	4f	7c	e0	bf	51	7b	cc	eb	f2	3d	69	34
10	5e	6e	e4	ea	87	32	7c	39	35	66	0c	04	bc	ee	45
46	43	76	87	d7	bb	b2	e0	ba	48	48	30	cf	29	16	d5
30	5b	e0	d5	ab	c9	29	ba	53	92	c4	d9	d2	00	1b	8c
5b	cd	a5	f0	9b	65	cd	d3	3b	b9	29	a2	50	15	f6	59
ef	34	49	6e	ad	f0	10	5e	7d	95	b0	7b	a8	77	9b	51
bc	0e	79	eb	4f	65	54	84	9c	a8	80	9e	40	db	48	3c
8f	95	40	de	a0	d1	5a	51	31	9e	b6	4c	0f	b1	ca	3b
15	2e	48	bb	95	e8	af	3d	10	1e	7b	33	eb	5c	e6	f5
f8	ed	78	9a	1f	7a	ea	e5	e1	97	8c	f2	ec	a1	e7	01
d7	72	b3	b6	78	d3	03	37	56	6d	70	fa	56	15	3a	62
81	30	d8	61	4e	8b	aa	ae	e0	d2	7c	7a	02	da	32	8e
8e	f4	59	c4	4a	22	e7	5d	a8	ad	05	a1	df	b8	c8	a0
48	2f	50	b0	58	de	1e	36	e2	ea	d1	2c	c4	2d	c3	39
d1	7e	05	29	a5	8e	37	f8	3c	7c	71	ba	2b	a5	84	9e
2c	1d	7d	00	8d	78	b7	3c	ca	cc	ee	d5	10	49	23	bb
ae	48	8b	d7	fd	b6	12	58	ef	c4	62	93	72	97	cc	69
4e	b5	0d	e2	59	e8	9b	74	1d	02	73	88	5c	86	22	3b
15	d7	4e	ec	37	32	57	5d	60	f0	a0	9b	b7	58	cf	92
44	e4	e5	6d	49	7c	ae	11	be	ef	a6	dd	f9	2b	f8	c5
b5	f4	1c	94	18	2a	00	43	8c	96	15	38	a5	8b	83	2e
c2	b4	02	c4	08	c1	65	25	31	8a	67	45	78	d5	7e	b5
3a	62	65	db	8a	98	23	76	d3	ea	6e	14	5e	a2	2a	48

ec	28	6f	cd	8a	49	5e	5d	ce	0d	10	1f	8c	60	c6	f2
4a	b7	eb	4d	66	de	75	0a	7e	e7	b5	ac	bb	8a	35	c6
85	32	e3	38	e1	2a	b5	54	0a	8b	84	95	55	97	a3	3d
9d	08	ff	a0	11	25	61	dc	cc	eb	f3	0a	a1	eb	fd	60
3b	46	0d	3d	41	00	5a	4f	4f	c4	54	f6	ac	a8	d0	f1
4a	e0	89	6c	45	1e	12	04	3a	16	ee	b3	72	3a	17	06
5a	74	7c	8b	f8	4f	32	9d	15	b1	a9	8d	28	3b	f1	7b
70	dd	e8	9e	c2	b4	10	f3	ac	7b	c6	44	9e	70	2c	ef
de	0a	82	33	c4	26	8e	79	cf	e4	79	a3	a1	2c	13	86
db	55	96	f6	cc	5c	d3	f6	4e	1d	84	96	00	21	9d	f1
34	ff	fb	da	6c	1a	c4	42	29	f4	ff	76	26	e1	5d	83
51	b2	06	4f	03	8f	bb	11	11	99	76	00	4c	5c	32	89
cb	66	e9	72	0a	3b	be	b1	43	7e	c6	2f	bb	04	33	eb
da	43	a3	ff	e0	04	84	00	8b	5f	a7	23	10	2e	6a	7a
12	ab	c5	3c	85	0b	e4	6d	cf	91	0b	f4	bd	df	1d	ea
d3	32	82	2f	39	b1	d9	6d	1b	61	83	a1	5e	23	f9	12
a0	9e	87	93	42	e4	09	22	12	7b	e2	ef	51	c0	d2	1b
66	88	88	c7	71	9c	3d	85	a9	9d	f2	e4	e1	a4	c1	d5
5e	e5	03	5a	f2	b9	15	c0	be	26	b3	d6	65	f3	64	a5
a5	f8	67	4d	f0	79	2e	dd	c8	a7	e6	74	60	b1	7c	e8
de	1d	57	35	e3	12	5c	b2	13	17	e2	c7	11	52	7c	c7
d2	18	05	b5	82	51	35	27	f0	e6	57	ba	d8	ce	b3	93
90	ae	d5	f4	c9	ab	b6	47	9f	cc	36	b1	9a	c9	b8	8c
3e	e7	5e	7c	c3	51	4d	be	09	aa	13	1b	06	f8	d8	5d
80	32	15	f3	f3	eb	b9	2f	1c	28	12	ba	ae	78	45	00
08	11	96	92	8d	58	3e	e6	fb	0c	b8	67	80	95	6e	55
e9	51	ee	f6	89	68	d4	73	0b	5f	ad	f6	bb	a6	45	e7
90	d8	fb	52	63	e0	a3	a1	6d	85	a2	90	96	9b	c6	48
29	28	fb	02	e7	ad	98	f2	f4	93	39	df	c1	61	ee	d9
ec	dd	0f	3c	63	19	94	66	72	66	27	0b	32	9e	5a	db
8b	0f	a2	45	f7	8a	2d	71	82	f3	87	58	77	70	f2	61
71	07	03	4d	c8	f3	73	b1	f8	e8	34	f5	bc	f4	11	5b
9e	d8	9a	64	a3	eb	0a	3b	23	d6	68	21	5e	ad	92	8e
9d	82	9c	ea	20	cd	38	5c	14	a2	a4	a4	cb	db	b7	b1
fc	5d	ab	88	a9	a6	ea	c4	46	d3	c0	f5	60	cd	52	1b
1a	2f	9a	da	72	a5	53	62	c3	86	7e	d1	3f	a4	c3	ac
da	58	82	68	32	80	23	6a	51	be	bc	c1	8c	38	b9	f6
ee	8f	c1	d4	0c	54	47	01	30	1c	f4	c9	2c	8a	36	86
34	b8	f5	93	85	0f	0e	47	fd	77	10	4f	76	3a	2c	24
fa	dc	fa	d1	9d	1f	b1	e6	aa	c6	54	dd	99	e4	0a	7c
38	8a	2b	a8	52	fe	7a	89	0c	31	6c	11	fd	ec	00	6d
fe	23	ff	1c	85	1c	ab	8a	d1	72	53	20	ff	13	e1	4d
da	1d	17	71	45	dd	de	59	d6	a9	22	d4	c3	a7	19	c2
cd	f2	92	ea	a0	8b	35	cb	dd	88	82	7f	1f	eb	72	79
e5	a4	9c	d7	02	22	04	88	cd	c4	f8	23	7b	02	8a	2f
ff	66	f0	80	83	87	3e	d8	13	9b	94	f4	3d	77	08	b3
f1	be	af	eb	67	e8	b0	32	69	48	f7	61	59	f4	7d	3c
94	1d	a6	df	55	1f	90	19	2b	b9	78	25	70	fb	d5	f6
8a	37	69	06	3a	48	3a	ca	8d	aa	7e	65	b3	e8	ad	f4
26	61	23	ec	26	35	58	46	c8	2f	e3	e5	eb	28	b1	c9
4e	72	7f	c0	5c	91	63	62	c8	94	6d	91	82	b4	6b	58

1d	3a	86	c9	bf	1b	c5	53	05	e1	48	87	6f	b3	59	93
d8	04	19	15	97	02	28	c3	73	09	7d	67	1c	9b	7b	2a
69	9c	d0	11	c3	10	9b	d2	fb	a5	d8	54	e1	d0	11	a8
0e	50	19	31	fa	a5	51	6e	fa	c9	62	1e	d8	18	62	3b
45	55	11	58	07	dd	b0	b4	e6	cd	97	5b	8b	d5	5e	06
66	8f	fd	32	f4	68	1b	6c	2d	9c	84	b3	84	c3	17	3e
a6	44	78	eb	dd	f2	4d	98	e9	ee	3b	24	09	e6	d7	1a
9e	e2	10	1f	ec	08	f1	7d	44	a7	fa	5b	d6	bc	7d	8e
20	0a	6e	20	54	0a	48	70	ee	1a	60	c1	a4	8b	01	c2
23	73	94	49	3e	09	ba	29	03	08	e9	4a	8e	85	fd	61
5c	2d	0f	13	1d	c9	f8	92	83	eb	fa	95	b7	97	c2	24
fd	e1	48	e8	ea	52	c9	f1	ba	4c	57	a7	13	27	d7	a9
aa	fd	ba	0f	22	95	94	b6	1a	fa	fa	00	d3	42	c7	b2
ee	f9	a6	61	54	d1	41	8d	6e	9a	aa	35	24	76	c3	74
82	0e	7a	40	c1	13	12	72	f8	e0	dc	9e	82	7d	e9	37
9d	47	a3	a5	23	40	68	78	9d	62	33	da	7b	4e	b3	ba
16	3f	3e	4b	c1	95	f2	cf	2b	28	9c	43	21	c7	cc	40
2a	fa	4f	14	e2	0d	7c	bf	a7	9f	7f	b4	4e	bc	14	d9
f5	98	af	a1	24	2b	53	63	70	e4	f8	c5	e4	1f	e7	24
87	0d	18	a9	56	62	16	8a	71	51	3c	8c	ba	7f	da	68
c2	8b	77	6d	9b	33	60	0d	7c	88	39	9e	4d	6a	4c	c0
12	7a	59	da	98	ab	01	02	71	38	67	65	90	0b	b2	29
f7	8e	9a	c3	4c	51	9d	06	79	db	ab	c5	dc	e6	35	61
1c	3e	b7	c2	12	18	5c	45	79	68	88	c8	40	7f	9d	80
4a	b2	9d	6b	e7	ea	27	c4	79	12	ca	71	33	38	17	79
48	e4	1d	e4	26	3b	c7	78	86	bf	e9	db	a8	fc	c1	8f
b2	b9	fb	61	87	ea	47	31	c3	a1	7e	a0	f5	75	88	50
81	90	30	fb	fa	7f	6a	50	f9	03	cd	fd	8f	ff	cc	df
e2	db	d8	02	32	a6	8f	50	bc	97	b4	38	48	a3	f5	e8
8c	c7	1a	68	b7	10	fb	9f	fb	71	44	80	70	76	ce	fb
76	4e	d7	96	01	7a	1c	5b	3c	7a	8a	12	b7	94	64	cc
0f	53	30	51	54	30	5b	53	6a	93	e7	f4	db	78	47	2c
3f	08	f2	1d	23	d3	eb	4c	ed	45	10	bd	aa	06	81	49
63	a5	30	39	c3	45	e2	fc	f4	20	ee	d6	b3	88	85	83
5e	7d	4e	c7	8f	ab	c6	b6	c8	fb	f5	04	99	76	fc	98
e9	c6	14	02	86	a6	7c	23	99	73	55	09	82	b9	05	94
77	67	e2	6a	2b	f2	2d	98	b3	c6	cd	16	79	d5	bd	fe
c1	92	3a	27	db	76	22	92	6d	6e	50	e6	a4	61	42	71
64	f5	7e	7a	6d	4f	76	82	05	65	1c	21	8e	d7	a6	51
c0	a7	bb	5a	da	af	dd	d9	d0	35	95	db	37	8d	48	f8
60	81	1d	9a	5f	96	22	4b	b9	47	b5	39	9b	3a	4f	b0
b4	4c	19	ff	00	de	55	ef	db	1c	b6	a2	e6	c7	ff	8e
13	a6	78	cd	8c	49	17	4d	33	bd	e2	44	f6	5f	93	3b
7d	5f	0b	73	d3	15	ac	30	a4	55	6a	ff	17	ca	3d	19
dd	eb	74	7f	53	60	bb	b0	50	94	9f	c1	0d	b7	fc	0a
ac	83	0a	eb	9e	1e	77	c8	7b	16	8e	35	f7	06	1c	63
c0	0e	f5	11	e7	65	31	3d	f9	ef	01	30	5a	ad	7e	d4
71	ab	16	fe	43	e2	86	07	ea	a5	fb	89	0d	3d	2d	c5
55	ce	aa	e1	c5	63	8a	61	41	96	70	bf	87	0d	1e	1c
d8	52	f6	0e	68	e2	ce	38	4a	7d	77	90	fb	07	8f	65
7d	69	f3	e5	e0	77	73	d5	3d	65	b5	0e	30	7d	ff	98

54	f7	e4	2e	ee	a3	ab	bd	f3	dc	d3	fa	a8	d2	0b	e1
3f	f0	2b	a4	75	af	c9	90	8b	4b	2b	9a	13	71	81	3c
a5	f2	a7	d6	ec	6f	7d	fd	10	62	d1	aa	44	81	e6	14
95	ee	49	6b	c8	10	1a	fb	6c	c9	ab	f5	c5	5f	75	f2
f0	82	61	52	dc	d6	1b	3a	1c	ce	4b	67	b0	9c	d1	49
1a	7c	a7	55	fc	ac	ea	71	dc	63	2c	63	90	24	78	67
59	a7	a6	ad	66	de	de	a6	e8	00	8f	a0	af	cc	89	b5
53	f7	f1	a3	7b	43	d7	80	c1	1f	f1	39	8f	ec	5b	5e
00	56	31	26	44	2a	16	d0	f0	f6	f5	7d	83	d8	34	4b
a3	f4	c9	44	31	d3	5e	39	71	1e	32	6b	c0	d6	6a	b9
2b	5a	f8	da	df	bc	91	db	e4	50	f8	ba	fb	df	7c	26
3c	5a	b8	fc	2f	ea	b7	5d	53	f6	72	a3	70	c1	63	d0
38	26	79	b6	6b	41	f4	91	2a	54	e3	ed	96	08	c7	02
a8	13	04	cf	f2	49	65	22	69	a1	07	f4	23	cb	9f	d3
3b	66	07	b9	b3	df	f8	da	d8	fc	0d	94	ad	69	a7	a9
cd	8b	65	2b	2a	b3	b8	6f	35	5d	f0	e2	e3	a9	65	97
4c	05	05	c0	1a	8f	29	02	78	0a	2b	4d	5d	b6	10	5a
fc	a1	5b	fd	cd	ca	d6	d7	61	18	bf	a6	72	52	a9	e2
cc	9b	d5	a9	9f	ce	e4	a2	af	9e	fe	ed	19	f8	76	6b
22	75	66	9b	68	9d	a3	13	26	bd	b6	cc	0c	59	37	a9
3c	63	9d	76	ce	37	fd	58	db	33	81	c8	0b	64	4d	92
da	8f	98	1d	fd	62	a7	84	19	81	5c	1a	f8	97	df	c4
ea	2a	63	65	7c	c3	6e	bf	fc	12	35	a0	af	2b	2d	50
c5	1b	b1	3d	57	fb	58	2e	c2	bc	fa	78	a7	a2	17	33
4d	f8	40	7e	32	3a	b2	a2	ab	0c	60	92	0d	7c	7c	52
9c	0a	85	3d	7b	78	93	14	47	2d	06	66	67	b9	2e	f9
d9	95	bd	d9	48	e2	fb	85	0f	32	2b	12	5e	2f	15	d4
9c	b0	f1	51	77	1e	16	06	82	19	2f	ce	f2	d0	b2	0b
78	1c	b2	34	a6	e7	1c	07	74	2c	ef	21	e4	dd	c1	12
6e	03	16	53	21	35	5b	b4	90	46	6d	fe	dc	26	77	d5
46	b2	2e	d7	fe	de	0f	f8	39	a9	60	b5	19	02	29	36
16	e5	50	9f	00	c9	a8	9f	7c	e3	24	82	4e	f4	e6	25
50	bb	e8	58	f3	61	80	08	89	0e	3e	e1	e9	b5	82	f9
98	7e	eb	7f	aa	cf	31	5c	1d	f9	0e	24	7a	3e	02	d5
ad	43	1d	e4	75	6f	d6	1b	d6	ac	e3	84	d7	a5	58	fa
7c	c8	25	e5	b2	ff	83	ce	a5	59	c9	d1	72	f1	a3	3f
7e	a1	e8	10	89	45	64	87	14	dd	d3	00	07	96	db	77
e8	c4	7b	8f	4a	c3	97	6f	5c	c8	84	1f	1f	a8	4b	30
fb	ec	58	ac	79	6a	23	85	6b	78	45	c2	9b	77	fa	21
72	5d	62	c9	3b	81	a0	bf	b7	fb	93	75	f8	b9	9d	39
6f	fb	72	8a	32	b4	59	65	a5	60	a3	ef	aa	c3	ef	17
28	72	db	82	c7	69	50	7e	d1	30	de	ad	54	d9	bc	42
d2	23	30	15	bf	61	d4	67	ca	db	1c	c4	3e	45	bd	b1
ee	bd	4d	39	d8	89	29	7f	2e	39	81	c7	a2	04	02	14
e3	d2	69	2e	8c	ce	6c	14	6b	39	f4	36	36	da	4b	dc
72	0d	db	1b	23	a1	86	de	dd	4b	98	ab	e0	0a	c8	3f
8c	b6	7b	58	a5	19	37	28	68	59	b7	8e	3c	ed	ae	e0
62	d6	71	5e	db	c1	42	73	f2	ee	dc	01	ff	c5	bd	26
51	2d	61	18	a4	95	c0	8d	cb	8a	03	ce	6e	29	f3	5a
fa	ad	6b	42	7e	1b	bf	aa	19	21	d9	a2	55	48	77	57
1d	3c	1a	8e	ec	e5	6d	27	d9	b3	bd	6c	f1	7c	1c	20

f8	0e	b3	0f	ad	65	4a	95	ce	6e	b3	49	47	f8	cb	70
15	a8	da	f1	bc	d1	55	db	ae	71	54	b5	b6	4c	56	4e
15	32	51	b4	f4	9c	7a	b1	bc	df	ba	c5	26	ca	23	8e
1f	ee	2c	99	33	1f	0b	42	21	c2	6e	a9	84	3b	1f	5c
3d	3b	91	87	83	27	5e	d1	5e	52	36	c7	fb	ae	8d	cc
ba	6c	80	0e	fd	bf	a8	39	7e	eb	8a	12	9d	5c	90	3a
ce	33	5c	3b	00	91	c8	87	60	51	a3	21	b4	6d	aa	5f
ad	84	7f	90	e9	c3	d9	6d	79	9f	06	3d	bc	ba	fd	35
5a	63	09	34	b2	24	35	83	56	ba	44	d0	30	60	10	58
48	eb	83	dd	98	ab	b4	54	7b	d4	42	5c	c5	06	d1	f3
76	e9	7c	1f	73	a5	80	6b	19	4e	d1	5e	6e	50	dd	33
4b	5c	b8	13	bc	80	ba	e7	8e	b1	25	70	2b	4c	a9	9d
e5	da	b5	42	0d	54	09	15	24	e0	43	80	84	0d	7c	e0
5c	78	52	5a	4c	1a	63	af	9e	4f	00	b0	a6	1e	b5	fa
35	aa	d4	6b	a7	c0	db	2a	13	42	47	f4	df	11	e8	93
db	e0	59	86	c1	e2	4c	38	53	5f	e9	06	b8	20	51	8a
9d	f3	ef	47	d1	b5	ef	92	26	a9	5c	c8	98	55	a5	01
e5	0d	55	4e	3f	09	98	aa	45	8a	5b	0c	c2	80	bd	db
ea	98	58	ec	88	ee	97	1b	27	fb	3f	7a	66	76	ac	d0
99	54	44	3c	b3	44	24	43	29	b7	4b	71	0c	b6	07	3d
c6	76	da	01	f4	74	27	41	36	30	f0	f1	1b	34	ce	f9
31	7f	e9	9d	29	69	c1	34	38	90	58	34	4b	d7	64	29
bd	11	f1	42	37	25	03	1f	81	21	a4	7c	fd	9d	ef	20
5a	58	7e	b1	3a	cc	d2	bc	11	02	e2	fe	6a	55	01	40
2c	ee	82	9c	3e	08	c9	ea	c4	3e	95	5b	78	20	47	99
42	a6	e9	0b	38	75	c3	3d	34	84	4e	85	8a	32	06	3e
50	d0	f8	c1	5a	45	0c	f3	ea	91	08	44	9e	78	a3	2c
6e	b2	18	c7	7e	f9	e7	60	c8	94	23	d9	28	0f	fb	56
d9	a1	84	54	d7	81	f6	1d	57	cb	c0	89	0e	68	d9	a5
9c	32	b0	22	24	39	ba	b2	40	27	63	f5	8c	d7	11	bb
31	43	51	cd	3d	93	4b	d5	01	b3	2e	64	26	d8	92	22
7e	f4	29	fe	65	2f	73	d6	b6	01	d5	a9	a5	5e	ca	29
d0	96	76	be	b2	2e	e3	ff	9e	2f	3e	b9	36	14	3a	6a
36	81	e9	3c	61	93	84	54	38	e8	d4	b7	f2	f5	85	bc
fa	43	10	c9	9d	ce	ef	c8	0b	5b	75	44	ec	fb	f2	c3
05	90	a6	30	68	50	b4	89	61	c6	46	82	32	28	ed	27
0b	7a	df	ed	16	bb	b1	46	d8	7a	dd	e3	03	56	c5	76
65	75	cc	58	fb	6f	ff	90	4d	16	e8	62	f5	cb	39	e9
13	85	0f	7a	5b	3e	2b	63	f6	8a	17	c3	c3	41	6d	18
f8	11	40	16	86	ba	93	10	42	7d	fa	68	df	54	03	72
84	57	bc	0c	15	d5	0a	ce	c1	de	4a	02	f0	66	fa	af
d4	cf	69	a6	9f	53	a4	88	b4	6d	00	dd	cb	73	4c	59
a6	13	3c	c7	25	cb	74	75	9f	38	ca	82	91	a4	83	9e
9e	71	5a	a4	83	a2	ba	94	d1	39	14	cd	31	a5	14	3e
26	db	58	02	31	f8	3f	e9	6d	76	e5	f0	7d	54	d3	7c
ef	5e	08	58	00	e0	c5	4c	ea	75	70	97	45	9f	a6	a8
79	e2	e6	92	b9	8b	bf	37	ec	dd	97	96	04	4a	a2	e9
ba	47	85	f7	8f	7b	70	d3	6b	b8	d2	2b	21	c4	2b	3f
a6	c1	36	22	8f	3f	c8	80	c9	76	17	1f	90	16	1e	52
f0	c7	81	87	e9	38	3e	d0	d3	62	6d	c5	c9	89	7f	2f
80	4e	84	a8	08	66	fc	79	6e	f4	f3	ca	8a	b5	65	5f

5e	06	86	02	ce	75	a0	37	e7	53	4c	d8	c9	09	1f	82
0a	f6	66	f1	26	81	6a	e0	42	ee	be	26	69	16	3a	b0
b4	55	78	be	63	94	b3	6a	2a	0e	f5	88	2e	d2	c9	9e
58	57	5d	85	10	37	c5	ae	23	a8	96	ef	6e	ca	82	38
cb	18	ad	5e	3f	f3	56	4f	b3	91	ad	1d	29	a3	f6	5c
14	f6	c3	09	2a	9f	a3	39	ce	6f	a4	c7	68	b4	36	a6
8a	c5	4c	5e	7f	fb	d6	f6	75	7a	d8	6b	7f	e1	6f	2a
85	35	e9	0c	33	97	f6	89	c4	1a	b3	a7	b1	c1	72	02
3b	55	ec	9a	19	f7	a2	99	e9	0d	ff	5b	09	3a	b6	d7
c6	d5	a3	2d	d2	e2	38	35	d1	f4	e7	15	04	c5	68	2a
da	73	8d	a1	6e	fd	67	70	ba	9e	c0	1e	52	1f	4a	b4
65	67	87	32	8f	4d	02	1b	80	dd	8a	ca	13	80	39	64
8f	ce	6d	59	32	80	c8	06	d0	df	cc	6b	ff	09	86	31
66	fd	18	84	96	6d	e1	8a	1f	43	57	7d	eb	cd	ab	0a
da	b1	e9	95	28	e6	0b	ac	6b	7d	96	49	e8	cd	26	51
1e	a6	d1	56	fd	ad	86	b6	ae	3c	ca	c2	eb	f1	94	a5
07	18	50	8e	e2	99	fe	4a	bf	9b	40	ef	87	f2	e8	f3
1d	3b	dd	e6	0b	72	ff	c0	17	8d	e7	2a	a4	49	c3	c5
dc	36	c2	e3	bb	6a	d2	fb	8d	13	ca	46	af	16	37	05
79	35	d5	36	19	33	b4	ab	9e	64	8e	cf	cb	e1	95	76
c5	18	30	75	3a	d7	df	06	17	46	ec	6b	14	0e	db	f1
cc	bf	34	f7	fa	7e	20	29	4f	1c	ab	15	50	8f	9e	58
2c	58	61	a5	57	d9	e6	20	b7	ca	a4	1a	fe	9a	3b	8f
18	97	28	fa	2d	f3	55	84	a3	a6	6f	af	62	2b	8d	64
9f	0e	86	0b	c6	63	fd	78	9a	34	d6	2c	71	f2	96	d2
4a	38	d8	2b	16	d7	a1	4d	43	2a	42	70	fb	44	60	30
25	fe	00	bf	57	ad	69	92	44	49	34	36	2c	76	a5	93
06	b2	25	3c	aa	16	4d	df	29	fb	d3	1c	49	cc	05	54
cf	bd	c0	b7	e2	a3	b0	b3	c2	7a	26	82	2b	8d	2f	f8
8b	1e	67	ca	20	bc	82	53	d8	33	7a	af	ad	39	5e	e3
56	5e	84	b4	be	da	75	41	98	42	3b	fe	59	60	34	3f
53	dc	31	2f	77	8f	9d	d0	f6	0f	43	93	6f	4e	18	6d
f0	b1	4e	66	57	2a	8a	09	f5	1d	91	a8	ec	9f	39	91
95	25	8e	d0	16	2e	05	ef	7d	fe	fd	87	f4	b2	41	95
06	02	4f	df	4d	9d	3c	b8	08	ec	d9	5f	f3	ce	00	91
50	42	12	12	57	ba	50	1c	9a	0b	cc	08	2b	c4	d6	b2
49	a4	78	3d	09	e3	13	8e	30	34	21	38	7c	f0	42	aa
88	7f	d9	e9	9f	c4	a6	93	1d	9c	d1	50	d5	0b	15	48
d8	96	00	fb	0b	1b	98	b5	7a	b3	0e	76	4e	33	29	a3
34	c9	1a	1b	c0	ca	8f	9a	49	f9	30	30	64	e6	df	8f
97	b2	7d	55	4d	6f	18	df	e7	4d	bf	35	ec	9e	94	70
19	0a	86	16	71	c2	a5	d3	3b	90	d4	89	ef	81	91	78
7e	b2	32	de	13	29	92	5c	21	d2	1d	42	c8	fc	98	e2
d8	2f	ab	fe	0b	a9	0e	dc	08	d8	49	81	e1	30	b1	2e
c3	ba	62	0c	83	a6	2f	a9	fd	46	1c	69	70	70	a1	78
7d	52	ea	a2	28	be	c5	31	be	be	a2	7c	01	ce	fd	26
28	7f	0d	b3	2f	e5	b7	7b	26	37	93	08	01	f5	dc	88
06	28	78	c5	86	61	34	3e	c6	b7	1c	bc	a7	5d	ca	e4
9a	d4	4e	af	45	14	1d	04	10	6f	d6	ef	ac	2d	47	01
45	d6	ba	a2	1f	7c	67	c1	6e	a4	7c	8b	a9	b9	5a	ee
46	43	ba	6b	f5	f6	e3	17	a5	44	1b	4f	8f	93	c7	9b

9e	45	52	e7	5c	d9	75	9b	51	7b	26	a6	2e	20	b8	49
be	66	7d	c8	ce	13	8b	b1	0e	24	bf	ad	73	b7	6a	e8
83	ab	25	cf	0e	0d	0d	8c	a5	1f	ae	a7	c0	c5	b8	bb
58	b3	32	af	0b	de	db	eb	5e	b0	8b	47	02	3d	0d	76
9c	44	1c	0d	90	5a	cb	71	c5	8d	a9	eb	4b	52	e4	ff
cb	cd	3b	04	38	41	72	c5	46	18	a2	84	f6	c1	13	fb
be	d2	64	4d	9d	40	cb	f1	bc	66	9e	88	65	6c	ab	40
e2	76	b0	0b	83	91	ed	f2	ab	f3	b1	bc	9d	40	28	90
68	df	08	9c	d1	53	dd	2d	b5	d4	04	71	c6	9d	0b	bc
fa	0b	5c	40	5a	d8	65	a1	db	8c	f8	ba	62	78	e3	28
59	a8	85	26	cd	9a	c0	f6	43	66	bb	b3	f1	6c	e9	89
7c	5f	4c	fc	94	20	60	53	cc	e0	a1	dd	8b	73	c3	5c
59	73	77	fe	47	79	90	a4	94	ec	e9	e4	15	59	f0	91
e7	a7	8f	7c	06	cc	e8	72	d4	d3	86	d0	59	8f	cc	94
83	b4	f9	48	7c	5e	52	e5	bc	50	8d	fb	52	03	2b	d9
58	3d	aa	b3	76	d8	d2	1c	53	fe	fa	b4	96	fd	7a	c3
c2	13	6c	c2	46	dc	a6	e0	28	46	d2	ee	d3	87	87	e5
26	ad	66	50	34	24	21	20	e5	f8	cb	aa	c7	e3	3a	c1
13	f8	58	8b	0f	e4	72	83	b0	5a	ae	da	7f	f0	e2	90
80	e5	83	45	2b	cb	bb	67	8e	41	12	ef	ff	5a	a3	72
aa	35	61	0c	bd	cc	29	d0	cc	e8	dd	f2	24	06	d7	cc
ea	3a	5c	d2	c2	50	a0	d9	39	1a	6f	94	3d	8e	0d	e5
76	97	8c	51	47	4c	8e	47	6a	ff	51	5c	cb	ad	39	45
97	4b	0b	be	8e	1f	66	3d	c0	ff	74	9a	d6	3b	f5	c0
df	4f	b7	86	f3	17	3b	e4	c5	bc	cb	32	46	62	cf	45
46	0e	bb	96	1a	ad	ee	58	98	d8	98	bc	6a	46	09	5c
a9	48	e4	ca	a0	f8	ce	d8	d8	ac	24	2a	6f	60	ad	d8
c1	6e	b9	bd	8e	ed	cf	d8	6b	15	d2	2b	6d	57	d1	ab
b4	62	b3	0c	a3	a9	bc	58	60	47	d7	f5	42	7d	a3	b2
ea	be	ba	10	08	b3	62	73	5e	88	b2	7d	f8	35	07	83
15	2b	c3	8c	4b	3e	2b	32	72	fe	25	96	77	20	bf	4a
c3	7a	6b	33	ae	54	21	98	f8	25	85	0b	92	31	8e	a5
15	58	50	16	20	1e	56	fa	40	ae	93	3f	c5	de	0e	71
df	88	2d	15	7e	03	3b	8b	d6	46	1d	05	9e	57	ca	29
98	66	10	98	a7	fd	99	01	7d	21	d2	d8	31	34	91	ec
b6	67	d6	8e	27	8b	a9	29	51	b6	fc	3f	d9	61	b8	5e
85	83	06	14	6c	33	d5	fb	c4	f3	fc	7e	6e	5a	ae	50
e5	a3	a0	46	67	c0	86	4d	98	f2	b0	27	70	22	3e	18
dd	a8	26	3a	05	93	8a	1c	78	de	63	e2	17	29	76	00
9c	cc	79	d0	25	87	c4	b5	96	0e	87	5b	f8	3f	d5	09
12	fa	46	68	42	63	00	97	ef	4d	3a	73	3a	e3	d4	85
54	01	74	fd	dc	ce	ec	78	1d	4b	dc	aa	cc	f6	a6	69
9b	68	79	7d	2e	be	0f	c9	4a	d9	45	e4	91	c7	15	12
d5	c5	5d	7d	1d	e5	fa	1a	a0	b8	fa	3e	4f	69	f1	fc
1a	3b	99	e7	6f	c4	4b	1f	e6	a7	4b	8a	e5	a6	24	6f
ff	21	80	c6	54	aa	f8	3f	44	cb	04	62	04	c2	a7	1e
8d	b5	dc	d0	c2	35	d3	d8	78	76	52	39	a6	02	05	d3
39	42	9c	98	0a	96	a4	9f	68	e9	01	a0	60	b3	77	65
13	33	5c	1b	71	0c	71	1c	08	d7	fc	71	de	c6	e8	76
df	8e	db	7d	ab	7c	74	1e	57	7a	c5	63	0f	fc	20	2a
f3	e7	60	1a	e1	06	16	ed	7b	21	6d	e5	73	f7	fb	ad

81	40	9a	56	40	bc	62	57	68	e2	1b	01	8d	60	cf	a8
6d	ae	87	ac	4f	c6	86	fc	fa	6b	ef	2b	1b	4b	f6	e2
e9	b2	9a	55	7b	28	ec	f3	7f	0a	fb	70	0c	92	f2	14
eb	71	f1	6f	48	39	b4	85	ba	27	55	be	43	25	f8	f0
0c	6e	f5	41	d2	c2	f0	be	a0	ee	38	e6	a0	78	88	31
8f	48	c9	cc	32	64	ab	64	49	82	03	1d	f9	67	21	d1
93	f0	cc	e1	24	28	81	96	4a	74	a1	f5	50	c5	0e	88
e4	18	ae	31	e7	bd	f4	f5	cf	24	ec	d9	34	e8	c1	e8
52	bf	95	31	f0	30	b6	10	72	e7	96	d2	8d	92	e8	cf
f8	e0	78	38	cb	26	25	25	34	f3	88	31	ad	df	de	d3
bf	bb	c2	45	9d	a1	a2	2d	4c	c1	ab	60	03	2e	cd	d6
f6	d4	cf	a9	35	c5	30	a6	ae	0d	dd	6d	e8	bb	93	5e
8c	af	67	b8	21	41	61	40	a3	42	74	b1	c6	ff	6b	a3
ea	f8	49	a9	35	52	22	e6	d4	93	d5	f4	25	04	e1	74
7d	cd	bd	4d	e8	4e	8e	52	3d	32	1d	0b	0c	51	0a	ca
08	3c	95	7e	97	d4	f9	10	03	85	ec	39	6e	ac	c4	ca
8f	ed	b3	12	44	4a	54	51	13	f1	c8	48	10	f6	52	02
3d	cb	8c	4a	61	35	1e	57	26	c8	a4	ab	d8	99	db	48
25	59	3a	ac	68	5d	12	8a	86	43	39	9f	56	0a	4e	07
be	96	7b	77	05	e1	7d	5d	04	c6	18	c4	5d	1a	29	8e
21	d6	26	71	62	29	42	96	bb	e8	ec	f5	08	b1	ed	20
28	a6	5d	16	20	4f	5e	81	0e	92	af	df	f3	ad	96	13
14	f0	b3	c5	aa	df	19	56	44	bb	65	44	76	4e	20	b6
c9	b9	3b	97	9d	40	a0	3f	08	bc	db	f5	8b	27	0b	cc
cf	21	02	48	f6	93	3a	1b	79	1c	2d	c0	0a	57	43	ee
4b	8c	17	c9	b6	33	4a	40	e4	ae	d5	e9	86	32	02	5a
b3	41	33	2b	ca	5a	a7	81	ad	ed	26	1d	d5	90	25	16
f5	60	b4	8b	3a	9b	4d	c2	e0	0b	e8	88	ea	3e	57	49
f8	a3	50	34	7f	91	ea	ce	51	26	9b	48	11	61	ac	56
9b	1d	af	a9	e2	b2	09	53	2a	a3	bb	88	96	8b	25	18
54	82	a9	a1	f4	41	0a	b5	d2	88	c8	bf	b5	cd	c7	ff
02	a3	3b	37	0a	c5	a1	fb	64	d0	4d	44	64	63	70	46
82	0f	ff	4e	a0	9a	15	b5	68	eb	43	5a	d9	c7	50	35
fe	c5	59	2c	6b	8e	07	9a	c4	9c	0b	31	46	70	f6	4d
3c	1f	40	df	2c	98	2d	d3	a8	3f	ff	0b	29	7d	83	8a
b7	df	55	46	23	94	ba	33	3a	94	c8	a1	be	6c	4b	f9
0b	1d	57	0d	33	99	0b	0c	d1	be	d4	a2	1d	a5	9e	32
0b	43	60	6a	5e	d2	c2	7b	23	6e	ef	e6	a8	fc	a7	24
3a	af	de	59	8b	f3	75	c5	b5	f1	2d	00	8e	7c	01	9c
dc	18	19	8a	2c	5a	1a	d7	f4	9a	5d	7e	00	98	43	80
f1	a5	b6	a5	45	44	82	e9	61	fc	72	96	c5	88	c7	ef
2a	6c	5a	2f	5a	a8	44	96	14	1e	c7	e7	3a	c6	d5	77
c7	38	69	25	14	ec	3b	69	73	62	37	00	d3	f8	d5	13
38	66	c4	92	14	1a	e2	96	49	e5	29	d0	7e	be	ac	82
c2	de	92	f2	6e	f0	12	68	39	0c	dd	19	79	8e	bf	00
ac	ca	96	b8	7c	b4	ac	83	4d	9c	bf	2e	5e	af	64	47
15	c8	f5	44	c1	b1	03	fb	66	1a	43	fc	d6	cf	9a	2c
1a	50	8b	4b	9b	e7	e6	6c	9f	86	1d	83	fa	ec	36	14
03	b1	e0	9f	a4	38	4a	df	ce	d9	76	18	99	55	b3	2b
90	24	30	7c	64	dc	b5	d6	9c	bc	01	c4	e6	9a	af	7b
5a	5c	e9	85	77	2e	05	2f	d8	90	28	ac	bf	09	d4	30

80	9c	af	b6	3e	7b	73	a6	97	68	80	bc	65	3d	cf	00
4c	79	c6	33	ac	3e	c5	6b	16	1c	a5	b2	14	4f	07	26
7f	60	d0	01	08	02	8f	c1	b5	f9	59	65	1a	63	a6	d7
1e	11	b7	9b	87	93	11	90	d3	a7	b7	36	14	e3	e7	d2
4b	03	d3	92	f8	ff	61	fa	04	88	33	39	bb	a6	e7	b1
ea	94	1e	67	b9	82	0d	a3	32	0b	f6	9c	72	68	16	2d
e5	85	60	16	45	1c	68	bb	ec	55	e4	5b	94	47	6a	ba
c3	bb	c7	75	46	27	23	4e	4c	3d	19	a8	46	de	00	3e
3e	6a	8d	30	18	78	6f	8b	d1	07	93	5f	39	67	6b	83
6c	21	7e	92	ea	a5	ae	2e	f5	83	8a	4e	e7	2f	ca	8b
2a	fc	c1	d2	e4	cf	af	9e	20	44	79	3d	eb	5b	60	71
43	de	37	c2	a7	88	bb	0a	3e	d7	a0	66	aa	04	b1	a3
47	3b	66	c0	e1	92	7b	9e	68	14	d7	75	83	cd	8b	4d
38	33	80	27	0c	c6	ba	d7	b6	96	81	78	67	74	29	40
34	25	ac	c9	37	b3	26	9d	6f	ef	d4	6b	26	cc	5c	f1
36	b5	59	7d	ce	60	f4	73	2b	bf	e3	ca	d0	04	0b	d4
19	0b	a6	69	9b	46	fb	98	e7	cc	e5	b2	a2	a1	8f	90
82	86	f8	1e	4d	ef	54	e7	be	e1	9d	9b	de	e3	4b	71
a7	ee	16	4f	15	48	85	b5	4f	4d	01	1a	45	43	14	43
c7	fd	6f	42	69	cf	55	5f	f8	8c	bd	50	67	f6	35	e3
fd	e9	89	6f	72	bf	e5	f8	65	65	d7	0a	47	7a	23	57
bc	31	12	5f	d1	90	f5	7b	e1	2a	50	cb	d8	00	46	11
b8	9f	a5	47	5e	2a	69	9a	2d	d0	93	99	3e	c2	57	16
7d	50	4f	ee	4d	bd	52	50	5e	45	b1	8a	f5	b9	9f	0f
aa	81	b2	b6	d9	70	b5	c2	7c	f2	cc	4f	b0	56	d4	63
cb	85	5c	5b	a1	74	e8	42	c9	2f	3f	7a	18	8e	0e	c5
62	be	24	f3	85	25	96	d2	41	85	af	1b	6e	0d	be	ad
34	47	ff	df	8a	8e	68	7a	00	47	da	b7	40	ea	a7	52
d0	15	1b	9d	b8	96	6a	f0	b3	94	de	f0	ea	b8	b6	03
db	f7	60	46	c4	68	61	d8	cd	9f	5e	16	dd	7b	01	dd
51	d1	be	15	7a	8b	47	cd	22	45	ac	ca	ae	d3	6e	45
9d	17	82	0d	d3	9f	84	b5	18	b5	a3	d5	27	08	9d	53
75	28	80	62	a3	60	34	11	e8	4a	ee	18	d1	d1	b9	64
88	9b	8d	50	8e	ce	94	6e	3c	5b	eb	59	ce	73	d9	7b
74	dd	3d	5f	5f	de	5b	fe	00	ee	58	1c	5e	b5	fc	21
8f	fe	e7	8a	21	3a	b5	2a	26	ac	10	f1	16	44	c1	3a
4b	e8	93	86	39	ff	8d	e3	ed	d2	3d	aa	0f	fe	6b	96
f8	90	c2	78	14	14	71	8f	47	85	cc	45	56	8d	82	15
2e	f9	d4	0c	57	be	72	51	cd	f0	21	58	26	55	d4	5e
57	19	fc	a5	f6	95	0b	70	f3	00	78	c2	b9	1c	e2	aa
52	2e	ca	81	2d	90	27	9d	1b	35	ac	f8	ed	dc	42	81
33	e2	a3	d4	8f	5c	26	d1	3a	4a	b7	63	9d	cb	fd	5d
9d	cd	42	88	58	02	d4	d4	58	1d	d1	7b	47	45	de	c7
bb	f9	1c	4c	81	7b	74	01	26	54	37	dc	1d	95	0d	70
a6	07	59	dc	37	6d	97	de	83	9a	72	67	1e	22	92	f1
26	6e	03	7b	3f	73	e9	7b	6d	48	46	d4	df	95	b2	1f
ca	f7	ae	e0	40	a5	53	fd	d4	2f	58	cf	a6	b4	32	48
2d	89	7c	4a	12	21	1c	3f	ed	2c	77	5a	22	05	bd	0b
1a	12	92	20	1c	c2	89	6d	ab	4c	e9	fd	c0	52	78	40
f5	61	6f	8e	a9	b7	eb	e7	c2	92	cf	24	51	9d	72	63
2c	aa	88	43	99	42	1b	28	19	45	ea	a3	7a	36	1f	5a

19	c8	f5	cb	4c	50	c8	cb	be	ef	04	22	53	42	5a	3f
79	fe	8d	ea	d6	e4	c2	55	74	4e	10	23	65	c8	fe	b3
e0	41	bb	23	7b	07	ff	3e	c6	52	6e	50	a1	b1	0c	a8
39	69	47	9f	c7	3e	b4	98	a9	f7	7f	cc	85	b1	7d	7d
e3	fc	c7	62	ed	a1	0d	96	96	72	a6	80	20	99	2f	0b
a5	74	14	18	fa	6c	be	75	ad	82	2e	61	de	30	98	6a
d6	ad	44	71	a0	45	b4	d5	ba	cf	34	a0	16	c8	d0	50
e3	7a	c1	65	25	60	be	b9	4f	9f	4f	14	e1	1b	96	5f
e2	d2	23	c6	25	97	06	b7	51	43	37	ea	d2	9f	a3	c6
47	34	df	8c	f0	04	30	8e	d7	7d	c1	b2	a2	e3	42	49
63	3f	3c	4d	73	1c	76	15	c7	26	aa	7f	87	bb	28	18
40	8c	ec	81	c3	74	b8	be	d7	d1	0f	45	e0	04	9a	cd
39	c4	6d	86	88	36	eb	f0	14	1a	1d	04	48	97	fd	90
fb	88	ab	b2	3c	e4	27	48	6b	06	54	3d	8e	22	70	a1
65	67	36	c5	6e	e0	3d	19	5d	2f	04	85	8e	7b	56	40
7f	ed	0d	71	02	d8	5a	05	19	5f	7d	8a	30	ce	5e	f9
51	8f	56	73	a7	59	5a	94	fe	8d	2c	27	43	30	3f	8b
0d	d0	8e	a0	af	33	16	ea	78	1c	c6	59	2f	09	3f	55
a4	73	b3	50	a9	ff	26	79	ab	f9	07	10	a7	fa	b4	28
9c	55	5b	d5	ae	9a	9a	2d	7a	04	07	2c	26	8c	a7	f2
31	ea	4e	5d	7a	35	40	c3	04	d3	c2	ee	bf	d8	ca	a6
f6	18	bf	9c	17	60	75	e0	03	78	59	9d	78	1b	20	ba
43	71	67	20	29	43	d4	d8	54	5c	e3	7f	13	ab	b2	88
f1	7c	31	ec	df	e4	c9	3d	85	99	33	ca	ab	93	b3	37
7d	f2	99	07	7d	3a	1d	73	f5	2a	cb	30	e5	95	3c	b5
1e	ad	26	48	e5	3b	24	4b	1c	2b	d4	2d	40	f3	75	d2
2d	bd	33	b3	14	68	3c	5b	cc	c3	e1	08	50	e3	08	2a
80	fd	33	5a	61	c7	59	28	83	1b	67	81	1c	ce	79	01
7d	4b	fa	91	fc	cd	54	a9	61	e8	94	ed	1d	71	b7	64
f5	3f	79	af	6a	fb	d8	64	a4	1c	79	0a	6d	17	1c	0b
67	1f	aa	04	ab	1d	4e	06	9c	10	99	9f	68	b6	c7	07
03	a3	e0	2e	5a	9c	ed	00	b8	30	9a	37	4b	1d	9b	15
3f	a8	56	70	41	97	ea	56	28	c3	e2	ea	54	4e	4a	59
13	78	7b	71	02	89	e1	27	23	3f	ca	91	ad	ba	20	1a
2a	3b	8e	cf	cc	cd	73	ac	f2	fd	30	1d	b7	7e	f5	12
6f	c5	d8	3d	ef	d0	60	09	2f	a8	df	1b	72	08	4a	ec
dc	46	aa	a7	f4	e8	79	f1	97	5f	e2	a8	e0	81	5a	bc
00	fb	d3	eb	4c	0b	c3	a9	99	a5	d8	2b	f6	23	06	cf
dd	71	69	49	fb	6a	56	32	b0	e1	63	bb	88	22	82	b5
62	22	12	8a	c3	1f	27	63	26	d0	33	09	76	bf	e6	06
88	34	fe	97	02	b4	b8	dd	ef	b1	71	e4	2a	60	37	cf
a4	c2	bb	ce	de	5d	3f	cb	6c	ca	90	08	5e	b2	17	c7
f6	33	f1	85	f0	a4	b2	f9	61	69	f7	fd	63	20	bd	18
c0	75	bd	24	91	39	d7	c6	ef	e4	a5	2d	07	7f	ee	b8
46	e9	3c	dc	90	05	e8	4f	31	7c	25	68	a7	5b	b6	04
d0	db	ad	a0	1e	11	a0	6a	3c	d1	f1	85	57	fe	87	84
18	c7	ce	93	58	06	ce	10	80	88	65	1d	cd	0a	5b	c8
f2	e8	11	7c	df	ce	6c	d4	50	5a	0b	52	77	13	f9	0c
16	0d	1c	39	81	70	ef	a6	d7	9f	27	7d	26	e3	18	1b
6d	0a	90	2a	cb	72	b9	65	c8	1e	81	18	28	dd	9e	07
1c	df	97	b4	1b	53	e1	0c	39	37	d0	f9	24	8d	53	8f

08	f8	32	cf	2c	8f	c8	e8	a6	99	e5	50	00	be	e2	97
7f	86	73	9b	36	54	7b	01	7e	cc	55	0e	a9	89	d9	4b
ad	d5	d0	42	69	27	52	dd	08	ce	2e	f8	15	ed	85	a4
73	40	61	84	57	d4	91	1b	5a	6d	48	f5	ae	22	2c	2f
f9	cf	f3	9c	8c	f4	0c	be	40	9a	e2	7d	82	a0	24	8e
9a	de	1f	ff	fe	3a	1e	c4	4d	4c	65	70	1d	ff	cd	e3
2a	69	89	0e	f5	d5	e7	8b	fd	5e	a7	46	a3	1a	8e	a0
91	76	a4	f4	8e	90	c1	35	40	34	37	45	0e	dc	ea	08
4d	7c	a0	ea	44	7a	31	4a	28	ee	b9	88	bf	c6	31	e7
55	8e	63	da	50	d4	6a	76	cf	89	2d	bd	a4	68	74	f4
e3	5d	d7	de	ba	a6	63	82	62	e9	3b	d5	ac	11	cf	06
5d	06	c0	8e	26	6c	05	28	a0	c5	6c	7a	3e	a8	2b	16
a5	a3	ba	ff	2e	d7	98	bd	ab	1c	93	6d	5a	a1	8e	f5
73	1b	e1	82	d9	84	81	94	f5	12	b1	11	05	8c	1c	45
39	33	7e	84	6e	06	4c	ba	eb	0e	86	0f	92	13	8b	df
9a	a7	7f	ee	f1	77	69	a7	27	a6	c0	8d	4c	41	8a	33
0d	9b	f9	29	04	fb	0c	fd	43	65	1a	22	0b	d1	7c	7d
ef	32	6d	26	f1	6b	f1	78	61	93	1d	1b	65	a0	af	a9
40	bf	bb	cb	59	05	93	92	02	bb	e6	33	51	30	1a	d2
3d	df	4f	45	1a	14	f2	9b	0e	6f	52	2b	be	75	18	80
19	e7	44	dd	fb	0f	0d	7e	50	13	ff	b2	16	b6	be	3a
9e	9e	8a	aa	67	f0	a6	80	b1	c0	7a	74	0d	14	a8	05
31	b4	47	1a	13	ea	8f	b6	ad	d1	ac	e4	2c	79	20	dd
ee	43	b4	a8	68	73	5c	74	c9	b8	08	47	4e	32	50	f6
24	e6	81	82	a3	4f	07	9d	89	72	f9	98	f2	95	4d	b5
be	94	a1	ba	e7	ad	cd	02	21	08	a2	fc	f6	6f	31	40
d7	3c	fb	fa	bd	c3	20	1b	0c	7b	1b	6c	b6	9b	c9	2c
85	c1	b7	88	bc	a2	34	00	b0	44	de	df	e4	fc	ae	13
5d	ac	67	80	9b	02	6c	bc	79	db	0d	36	37	b9	7a	30
58	2d	32	b6	56	b4	44	cf	d7	ac	cf	3a	f6	12	d7	79
9b	c4	58	18	61	de	ab	33	e6	27	52	93	4b	2a	85	1f
ce	92	37	3b	76	f9	8d	64	d0	f5	d6	7a	f6	bb	e2	e1
19	6e	c1	63	f4	79	d5	3b	d4	c0	ee	44	84	a0	c3	17
7b	26	fd	74	c4	d0	e6	2d	0f	6e	f3	00	14	de	ae	81
8a	91	e0	74	34	13	ec	f4	8a	e4	e5	12	e6	87	31	95
b4	cf	a9	5e	86	e6	fe	67	72	d4	e4	85	6a	c3	73	95
f2	7e	2e	45	3f	bb	a0	dc	15	f4	5b	d8	b4	40	65	52
a8	c6	70	bd	f2	9f	bf	4e	32	b2	f6	70	58	90	a0	2d
53	5c	f1	c8	ee	6a	ac	c7	ba	ab	e7	67	17	6d	ba	5f
d7	46	77	1c	23	74	71	8c	df	aa	db	cd	1f	eb	2c	f3
02	67	eb	2d	e4	0c	bf	7b	7b	c0	82	9d	8f	61	a4	1f
7c	af	87	9d	f9	61	12	12	db	2d	98	f3	9a	34	e1	b8
36	93	0d	91	59	4e	c5	63	0d	83	24	0b	4f	21	8d	7a
03	27	3f	16	3f	06	77	93	c7	b2	8d	7c	45	82	29	0b
2b	55	9d	3e	6c	39	f7	8b	ce	06	a0	97	e7	33	52	27
3a	34	36	0f	60	27	51	9a	bd	bf	ca	06	da	32	de	a9
8d	7a	fc	51	38	13	a4	25	8f	1b	46	a7	d4	1f	7f	c4
8e	13	27	d8	0d	c5	b7	db	97	a1	22	af	2e	42	39	b6
fd	ba	97	61	e4	54	d8	75	be	19	fa	2e	5c	a7	db	8b
29	e3	0a	5c	12	3a	45	f6	6e	4c	38	41	de	b9	49	ac
89	76	41	f0	9c	d2	03	c0	b7	73	ad	7f	4e	0e	9f	0e

36	fc	31	3d	0d	3d	b8	17	b5	4f	12	8c	bc	2a	7c	28
a3	e7	b9	24	2e	18	73	4c	9e	c9	85	d7	0c	29	13	57
89	69	2a	07	0f	83	d0	f2	26	5b	6b	97	be	32	1f	6a
63	95	e4	14	8d	70	15	3f	d8	8a	d4	26	5d	8a	41	96
e8	43	f5	19	f1	c5	e6	63	00	da	14	cc	8d	e1	4e	05
37	cd	72	f4	40	e7	c7	af	8d	76	31	0e	7e	e5	b3	31
18	1b	88	3f	ee	86	07	e1	5b	a8	ef	33	6a	dd	32	8c
02	61	96	84	7a	dc	d3	84	9e	65	3a	4b	bc	83	b6	51
46	76	94	da	e5	c2	57	35	89	ac	7d	4d	b3	93	c5	63
4e	4b	c4	9c	27	59	57	dd	b2	23	96	cc	c1	e0	8e	fc
fd	87	8a	9c	ef	18	26	ef	d9	76	2e	c8	a3	0d	bf	a9
62	f0	7c	0e	77	da	82	fb	1f	6a	98	ed	1f	f4	8d	ac
83	19	31	0b	db	af	47	37	45	f0	d2	7b	4e	da	a2	c6
6a	3e	a2	49	9a	f1	e3	1d	03	7c	99	8b	2d	5d	74	c0
1c	4a	dc	70	5b	9b	43	23	3c	c3	a7	06	ea	47	42	a2
a2	fc	db	7d	6f	1f	f6	aa	4f	54	a7	0f	a7	4f	9e	53
67	68	bb	9a	40	dc	7a	85	eb	73	50	85	8a	9d	59	42
aa	6e	df	92	2b	00	18	d3	0b	0e	99	1d	e1	2d	f1	36
bc	06	5c	56	3f	0c	d5	84	a9	8e	81	73	aa	a1	b2	bf
83	24	36	22	d5	7f	46	5b	d3	5e	89	62	7a	45	a9	19
ba	36	03	f9	c4	73	44	22	30	c0	b8	d0	f0	49	4f	80
ac	12	f5	a1	5d	11	83	a9	af	57	b4	c2	43	de	63	9b
0c	ab	cd	dc	1a	06	3b	db	02	8c	3f	f6	94	ce	d6	e4
36	c5	3f	27	85	93	56	f8	73	4c	c5	63	d5	92	df	85
cd	2b	5e	6e	df	8a	43	04	22	37	f4	10	52	21	cc	8c
87	19	b5	d8	88	90	48	a0	42	07	26	c6	15	0d	fb	22
3a	20	11	1b	ee	fd	d6	87	14	8a	29	17	92	c1	22	55
9a	bb	9d	42	d4	e0	9d	63	c6	b2	39	7c	e7	65	47	41
3d	a2	c7	85	55	4e	d0	ec	74	f9	d0	ab	23	8f	e1	42
0e	f2	df	67	04	d1	cc	da	a6	71	16	eb	5b	1c	0a	b6
57	15	60	b7	77	3b	13	d3	ae	7e	5c	c7	e3	14	0a	c2
82	97	a5	45	05	e6	ba	1f	dc	0c	99	c8	15	02	c3	d2
25	cf	6e	c9	73	64	58	3e	1f	b3	66	ad	d5	10	5f	60
b3	69	18	70	05	ee	16	ac	61	ef	93	6c	91	e6	2c	cd
70	e4	d5	46	f9	af	2b	17	7c	0c	f6	1f	4d	0f	44	8a
f9	19	9a	a1	7b	ea	70	45	57	5d	29	0e	62	99	7a	b4
ce	b7	91	65	ea	61	ea	27	7a	70	75	0f	3b	62	e8	82
3b	47	2f	97	9e	44	c3	1c	af	93	90	3e	66	b2	44	64
b7	ba	3b	af	20	d3	1e	e4	cb	a9	0c	51	ac	e9	29	ca
8d	f9	36	5f	f0	f5	f3	a5	e0	71	a5	4c	71	7a	21	b8
f5	3f	63	6b	9e	97	c4	ac	7b	fb	40	fb	80	11	42	5f
15	de	a5	d1	c2	da	02	bc	50	8e	27	08	88	0c	1b	52
94	01	7a	7f	2d	72	3c	9e	46	b2	1e	c1	e0	3c	19	54
6b	ca	41	52	4e	f6	19	c5	8f	d3	7b	68	d3	7d	ba	1b
d2	18	e1	e2	33	14	8c	5f	94	18	db	50	dc	56	00	6e
82	fc	0f	af	80	5c	dd	4a	b6	df	f0	b0	9f	51	9b	ca
3c	47	58	8c	a3	05	62	f9	41	18	5a	6a	2c	83	be	f5
40	fa	3d	09	3d	f1	c1	c3	97	3a	f1	35	35	27	c8	42
47	9b	30	03	43	3f	94	36	81	2e	fc	a7	be	9c	db	30
fd	23	57	dd	c1	05	40	84	9d	d5	e7	49	27	5d	fc	6e
94	c0	9d	b8	58	1b	fd	2f	8d	d5	36	03	3d	b4	79	13

87	d2	ee	2a	6f	5e	96	eb	a9	38	bc	61	91	77	ae	42
b8	be	35	6b	d3	69	30	a3	4d	a3	a1	8c	bf	0f	34	4d
fb	42	cd	86	f1	5d	a9	c9	d7	aa	d7	82	b6	5d	14	b9
ac	16	6b	e2	7b	b0	7a	c9	2f	6d	08	09	0a	8f	51	aa
b9	36	b9	e7	fd	24	f4	34	27	f4	c0	d5	c2	e7	c8	0f
76	29	29	87	29	c2	f2	49	4a	00	ad	7a	f1	03	55	25
e4	f9	5f	19	e4	21	9f	94	c0	0c	d4	41	eb	74	0d	c9
8a	38	d5	7e	75	ba	c9	81	4d	42	fe	b5	ce	29	da	98
28	a3	e3	a3	94	9d	42	d1	8f	d5	a8	1d	22	6f	4a	56
d9	81	ac	9d	5a	6f	f1	16	5d	b2	30	22	1d	7c	9f	9d
71	d5	fd	ae	dd	c4	1b	7c	f1	22	94	4f	40	2d	67	d4
45	e6	c5	da	3f	cb	0b	90	60	5f	1a	7e	32	d4	13	e3
ca	57	30	2b	b9	f7	af	47	0b	5c	a4	e2	e6	d1	46	70
bb	b2	58	96	57	3d	e6	b1	0a	33	0b	c4	31	5d	a1	92
74	7a	0c	43	f0	aa	73	90	b3	ff	6f	6f	5b	26	39	d2
9d	52	e2	44	6a	7c	17	7b	61	16	b5	f0	16	11	1e	37
a6	72	9f	ef	ef	e0	03	11	15	6c	a9	74	01	e1	d9	5f
ba	2b	a5	fb	7e	48	1d	f5	ea	7d	45	88	f6	47	b1	40
a2	3f	85	6b	6e	02	85	7e	bc	b9	66	94	a9	35	e1	cb
21	80	2f	a4	e1	eb	85	62	1b	a4	eb	64	76	50	bb	ea
80	64	a4	40	35	bc	7e	e0	7e	a6	b5	46	8b	cd	32	d7
e8	cc	d2	8e	18	6e	35	da	1a	98	04	00	46	d1	47	8a
90	c7	48	38	88	01	5f	83	fe	40	30	df	5a	54	0c	22
d9	0a	c2	27	dd	2c	8c	6c	de	fb	5c	e3	c0	4e	bc	13
95	a4	99	57	0b	14	a8	ff	a6	18	6e	46	ff	59	f7	3c
fa	b6	1f	01	e4	84	63	3d	c8	a4	b1	c7	f6	f8	40	8d
a7	ed	9e	3d	cb	ee	b4	fe	96	12	91	c0	b7	22	98	2f
ec	fe	15	8f	0c	54	1c	46	f4	d7	e7	4c	30	e5	06	d1
e5	85	c0	55	46	ca	17	b9	6d	3b	d5	77	95	64	e4	2f
7d	ed	36	9c	dd	02	40	2e	d0	68	7b	77	10	2d	fd	22
05	d7	cd	1c	a7	85	b9	8d	c6	0f	5b	7b	57	4b	66	13
72	19	a5	12	90	ac	96	a2	df	2b	23	10	ec	a3	61	3f
90	fb	46	46	8a	5e	56	12	e9	cb	08	b1	06	44	e1	db
2d	18	39	96	87	64	11	c6	fa	ba	80	33	67	ad	32	df
d1	06	0f	65	9a	82	2c	9b	6b	a7	02	18	c3	07	b4	50
b5	b1	2e	9b	c0	2d	b5	fb	00	df	e8	79	f4	ef	fe	2b
c7	e8	9b	39	d9	59	ae	5c	ab	1a	0e	b6	54	f0	93	ea
90	0a	bf	07	93	0f	5d	fb	98	4f	2f	91	a2	7d	c4	89
52	d4	94	b9	92	50	5d	88	b8	d7	f9	94	b5	28	fc	c7
8d	12	12	46	20	c9	e5	fa	24	a5	06	5e	b8	37	9a	2a
6b	c6	20	44	b3	f0	e4	50	9b	e2	72	38	4c	23	12	08
52	73	2d	2a	eb	a1	7b	9e	37	b9	7e	46	98	44	f9	8a
42	90	16	f6	81	7e	88	25	91	08	99	fd	5d	e0	b1	c5
24	3b	12	09	94	93	d9	f3	47	06	ad	0b	de	d3	9b	b1
b8	bc	87	44	cc	2f	3f	ca	e1	d9	d6	fb	17	6f	32	04
53	7f	22	d6	6c	d2	f5	75	47	f1	cb	e1	79	82	be	db
a7	dd	57	ac	3e	ac	04	d5	aa	6a	cd	90	1f	f5	2f	af
92	c4	81	28	40	f9	92	f5	92	64	3e	c0	7a	8b	37	d7
01	1e	83	e0	90	0a	df	83	60	41	10	fb	55	cf	05	15
8b	9a	fc	5f	72	3b	1c	3e	7a	9b	a3	74	d5	7f	ad	e5
29	82	37	ed	58	6b	90	02	65	37	e7	ea	1a	48	ef	3a

84	b0	6f	88	06	a4	6e	4b	c1	8d	e4	c5	e6	73	b0	94
7b	e9	4e	b5	a5	dd	0a	bc	eb	51	10	15	3d	48	ba	12
80	0b	5a	3e	b5	b1	ce	9f	c6	8b	6e	9d	fe	e2	9c	74
45	92	c1	d5	75	3c	9a	b1	ab	e4	43	91	7e	98	b7	d3
f5	ec	db	9e	70	71	a5	dd	be	62	72	2c	a5	66	90	ff
2a	30	79	69	8b	5c	c3	59	35	e2	2d	45	44	5c	7d	f4
d4	b3	ee	5d	94	e4	8b	52	13	45	41	92	86	00	1e	19
ea	97	9b	6f	45	b7	74	c2	0a	f9	c5	22	d6	bd	6a	b0
a3	4b	f2	30	1f	cb	33	64	97	c5	14	d3	44	7f	f0	96
81	e6	9e	f6	0f	53	7c	42	ff	a6	27	ac	b7	8a	a1	0c
94	f4	e6	63	33	0e	41	85	10	2a	e6	40	4b	34	69	f3
57	6d	6a	03	89	f9	f1	34	58	b9	7b	3a	5f	92	02	f8
93	bd	18	4d	ce	6a	b3	09	34	40	18	5c	29	44	92	9a
5f	a6	24	91	84	72	ef	24	f7	67	ac	dd	dc	2d	69	ae
8a	40	e7	ac	12	89	8f	61	bb	b6	ee	9a	03	e2	f2	44
6b	46	d9	e2	dd	bb	c7	aa	7a	dd	24	7a	a4	a2	0a	6e
db	53	7c	ce	da	5e	61	da	c9	5f	c6	d2	c6	9b	fb	1e
65	42	bf	49	03	87	ac	d8	4e	25	41	0b	05	7b	7e	98
a9	87	78	f8	fd	b2	b4	04	d0	3a	14	4a	11	1b	53	b2
6a	d1	71	10	bb	94	a1	d0	cf	30	a5	4d	6c	3f	1f	8b
c2	43	b3	3e	e0	58	dd	bc	4d	8f	60	b3	f0	96	77	71
0b	d6	61	3e	f1	a2	bc	6c	a7	71	dd	0c	b9	a6	6e	85
58	54	b9	db	b4	6f	70	26	2c	d6	b7	ab	dd	55	d9	14
26	f3	1f	1e	c9	e4	a2	b7	9e	57	4e	0b	86	61	79	39
60	a6	cf	cc	9c	9d	85	a8	20	6e	91	d3	07	ed	83	e0
53	56	31	6f	f6	7d	95	cf	e6	87	17	00	28	c6	4d	2e
47	23	48	33	84	0f	bb	15	1f	bc	a1	f2	62	6d	71	7f
a8	4a	a6	40	60	8c	dd	7b	85	6e	be	65	5a	49	55	f7
e0	b2	3d	82	03	25	aa	e4	4c	62	8c	54	c3	93	1a	2c
06	f0	60	7a	34	2e	0c	da	da	f9	8a	a1	6f	3c	e9	3f
68	73	ab	95	cc	d7	96	18	7c	b8	32	08	7a	32	d7	bf
d0	7d	7a	e4	b9	43	08	ff	a3	ab	83	66	56	1b	bd	6a
09	56	b0	0b	c7	bd	45	72	a3	52	8d	55	53	61	96	c9
ab	c7	e2	00	6f	39	d3	6a	bf	62	ff	0e	da	64	cd	aa
4d	df	07	7d	e0	c9	08	03	e5	81	29	fd	b2	db	01	9a
3e	fc	59	89	56	93	d0	36	76	4e	e5	59	06	93	6b	43
9b	7c	45	dc	6d	f9	13	07	55	c3	bc	f0	66	cd	7b	eb
03	47	a7	f4	1c	9c	e9	6b	31	cc	7e	e1	17	b7	60	e6
fa	41	b7	0f	a1	a0	55	ec	15	6c	b9	4d	61	1e	2b	21
dc	07	bc	c5	e6	f7	c9	f6	bc	26	6b	66	b6	27	c2	82
36	5e	1d	14	9a	ff	56	b7	13	2f	5b	0c	6c	a3	77	ed
ed	82	4f	d7	e2	b8	50	87	af	04	d2	f3	ed	96	2a	3a
0f	d9	aa	40	5e	e3	40	48	97	da	48	ac	14	a5	94	8d
e5	a0	42	dc	3d	ff	79	dd	b4	cc	0b	75	02	f0	e5	b2
dc	e7	f4	0c	bb	c1	d6	b6	03	8c	6c	98	e5	46	ae	0c
78	dd	0f	5b	fa	70	5c	d5	20	a8	08	6d	2e	85	d2	75
01	95	3c	a7	03	82	9b	b1	a3	db	1a	c1	0b	a1	8e	c2
da	c6	ba	5a	e1	7b	44	c1	db	03	5c	a4	2e	5d	73	3c
8a	53	c4	7b	e0	2b	03	e3	6d	58	40	dc	2a	91	ad	6d
4d	64	f3	6d	eb	ac	d6	1e	40	06	04	47	8c	8b	9c	14
07	f4	e2	e9	d5	f1	fa	a7	8c	c3	e0	15	b0	04	dc	57

93	85	9e	f9	21	e6	c7	46	5c	54	cb	f2	6d	5e	d8	96
36	6c	75	16	84	63	ed	98	b7	5d	74	61	fd	93	8f	fc
4b	d2	a4	37	cf	7f	e2	d0	1a	f0	4b	aa	5b	4f	35	e3
52	fc	0f	22	d3	90	81	95	7c	52	06	21	29	26	00	44
80	72	ba	2a	7c	ab	64	82	ab	0e	f2	be	9a	94	09	6d
71	91	15	99	b0	55	d4	00	0d	41	f8	21	05	e9	df	f2
96	06	bc	6b	c6	cf	cf	95	0e	7c	2c	78	5d	a2	fc	73
d8	e2	9e	ac	20	8d	71	9a	cb	c1	33	1c	6a	a9	b6	f9
e8	33	83	64	d5	e0	9b	5c	48	f1	01	9c	53	c7	d2	ea
09	9d	83	16	aa	7a	35	40	e3	ef	0f	a0	34	63	90	da
e3	1b	c4	8d	a8	4d	ce	9f	9c	af	d9	bb	19	15	85	35
bd	66	36	db	4b	df	b8	b2	12	30	fa	5e	e2	9f	c4	43
81	1a	b6	10	20	bd	03	de	52	ab	78	7e	12	31	d2	e6
8a	43	cf	80	73	be	a1	0f	7e	60	b2	0e	a5	3a	67	05
1e	98	bb	f0	80	fa	20	58	90	57	5f	ac	ac	f3	d3	0b
c8	e3	31	8a	fa	2e	83	dc	36	98	98	c9	f2	c7	78	88
1f	11	0b	ba	6b	5b	a2	e6	1e	20	ff	08	a1	5b	d5	7e
52	81	e4	1b	c5	34	94	08	4b	09	bd	8f	f5	4d	d0	1e
5a	68	86	b9	05	4d	64	6d	22	b5	fe	50	9b	67	ac	19
cb	d3	7f	b1	75	8c	a0	67	8b	10	d3	a6	43	bc	a9	f3
4d	9e	ac	9a	7a	e2	54	a5	65	64	fb	92	98	1e	83	49
eb	99	fc	e5	32	47	6d	85	19	37	3b	29	75	ef	50	00
66	02	f5	4a	44	48	67	43	82	6f	b4	b8	1f	a4	11	c5
34	c0	e0	df	88	36	29	66	98	56	f2	24	8a	bf	46	4e
0b	95	04	67	5d	a2	6c	13	3b	01	73	4e	1b	2e	eb	9c
9e	93	fc	b3	03	57	c3	bb	6c	5d	a0	3c	18	ad	81	e9
ab	7a	d6	0a	c4	b1	b3	c8	91	0c	98	ef	33	a5	c6	23
38	a6	91	3c	1a	ef	30	53	1e	ce	47	33	ba	cc	c7	29
37	97	e7	02	cc	a4	3b	a7	99	dc	d3	eb	51	0a	81	ed
02	ac	70	ed	ac	43	14	de	8c	27	59	13	65	12	fc	5d
20	04	e9	53	05	5c	af	57	5a	50	d5	54	4e	eb	8f	86
d9	ef	51	4e	7f	87	79	4c	9b	22	05	84	d2	2c	54	a2
c2	0a	16	94	c8	cd	28	bb	f2	15	7f	b5	a9	db	54	ba
27	3a	eb	d3	32	7d	84	76	e9	de	7b	35	35	42	6a	80
8d	72	46	3e	62	56	c8	c4	94	86	b3	93	96	37	37	f8
48	38	f2	04	c4	09	2d	a5	89	b3	2f	ad	01	c7	77	4b
13	03	e3	75	a0	45	17	a4	0d	75	be	5c	29	c7	95	c3
f7	d0	c5	7d	c0	ec	92	65	91	01	33	b8	07	37	42	59
bd	d1	89	6b	5c	28	40	c7	2b	24	6a	82	85	74	f1	35
78	31	c6	a9	d6	9b	7d	4d	87	45	6f	9c	dd	2e	bf	8a
64	18	55	9e	f0	8b	e0	a5	46	16	36	8c	0f	f1	ed	23
0b	be	92	f3	89	64	72	82	16	2a	c7	2c	7a	43	0c	10
e6	b0	f8	e4	7b	8f	a5	68	11	1a	1a	94	0e	13	62	a3
86	67	cc	24	15	1d	9f	46	31	09	63	08	31	10	12	b0
fb	36	de	60	f1	c0	c5	6e	eb	29	c0	ab	96	af	33	54
41	23	a8	c7	51	b4	fb	fa	96	02	92	a6	1e	b9	0e	98
fb	a5	16	39	96	80	b5	1b	aa	cf	2d	dc	22	e6	87	06
d3	19	17	2c	4b	aa	2b	d1	fb	cc	eb	ae	8d	cf	6f	40
02	2d	78	b2	cb	1d	d3	1b	ac	ff	2b	9a	dd	d6	ca	e9
74	b5	ae	4f	e1	04	b7	4d	4e	bc	58	98	3d	04	a2	8e
f5	5d	4a	a9	91	59	be	32	c3	34	7b	77	ea	e2	87	d8

5c	1c	58	16	b5	30	33	41	3d	96	25	23	f1	4e	7f	96
b0	bf	02	5b	1a	20	98	83	3d	91	71	9e	d3	44	83	fa
58	cb	bb	c8	7a	0b	96	76	97	b4	ed	8d	72	4a	56	ea
ed	b1	98	3c	62	2e	e8	c4	f2	25	c2	34	fa	2a	19	80
de	ff	26	a3	98	74	ca	26	01	c6	5d	f8	c8	15	32	47
ca	65	b6	5d	f2	52	7c	de	b5	59	cc	38	63	2f	53	0f
a4	6e	c9	9a	bd	ab	8a	22	14	ad	ee	2b	0b	11	45	8e
23	30	b9	7a	51	eb	74	84	86	c9	9e	86	ea	63	a1	27
6c	49	db	fc	0d	af	42	02	cf	85	9f	46	82	e0	30	44
75	41	82	41	04	34	eb	a1	c6	0b	15	97	f4	c3	04	1b
25	7d	d4	29	6e	86	bb	26	25	9b	4a	1a	e9	1d	df	8b
51	ad	42	5b	69	36	25	ef	15	93	01	c2	3e	d0	57	ae
33	5d	50	52	be	4e	b5	29	8d	a5	3a	f8	c7	62	72	44
db	93	21	3a	ba	b0	4a	de	e5	ee	4e	8c	5c	e8	ed	ab
85	04	6c	b5	90	0d	fd	d7	23	ff	54	5d	2d	af	ad	06
22	38	13	ea	4a	1b	0b	0f	86	2f	e8	cc	87	a1	72	d4
c0	fa	51	52	7b	c6	dd	bd	5f	47	33	87	48	23	2e	45
f8	0f	8d	e6	48	a4	77	c3	7a	ab	4b	de	b3	5d	9f	ed
bd	e7	15	f2	3e	86	d3	ff	97	57	98	cb	5c	d5	1a	91
6c	d1	8a	0c	ad	00	29	a0	3d	83	6c	d5	36	00	83	c9
91	65	81	4e	2a	c2	4d	bc	a2	1e	ed	43	b4	d9	60	d2
32	83	af	63	95	e6	fd	1e	8b	45	c1	de	76	fb	c2	58
1a	fb	69	b1	1b	77	df	c0	6f	bf	1b	68	ea	11	c7	c0
f3	7b	14	d1	8f	6b	7f	48	7e	77	fe	a3	af	43	d8	ea
d0	fa	1c	7d	f5	47	ef	32	0c	84	c0	70	58	fe	ae	95
82	f6	e2	73	92	29	ca	22	c0	37	a6	01	f6	f7	fb	ae
97	06	eb	e5	9a	2a	f7	18	32	cb	93	74	0c	aa	c9	41
1e	15	d4	bb	62	fb	7f	29	bf	70	5d	d6	be	81	7c	26
00	93	a1	90	50	a2	1f	68	74	60	60	33	30	2f	49	c2
0e	26	26	19	1b	e5	c8	e3	21	b9	e6	60	fe	b4	50	7c
1c	1f	23	64	a3	49	a0	28	f6	dc	e8	b4	8a	87	ce	f9
bc	8c	37	23	3f	87	53	cb	b8	3f	7b	2d	f5	f0	58	ef
8b	4b	a8	70	08	7d	71	86	a7	34	ba	1a	c3	09	c5	cb
92	14	90	7a	7d	29	42	4c	2a	c2	40	fb	5d	96	0a	db
2a	45	26	e5	19	b7	03	8f	47	a3	12	fc	c7	57	50	8c
03	5a	68	a3	53	d3	8b	f7	60	c7	5f	c5	e9	42	8a	86
c1	37	1c	9a	08	28	03	13	02	67	7e	66	df	81	76	1e
f5	7b	fc	df	f7	14	e7	ba	da	0b	ed	44	65	c7	3e	ac
ee	67	ab	dc	7d	86	31	78	a7	38	b7	10	50	42	3c	40
18	ae	b7	9e	c0	ec	4c	07	43	c8	b5	19	39	cc	81	80
ff	fa	82	bc	0f	86	28	27	5d	34	6f	a2	c1	4f	f4	c5
94	7d	7f	47	ba	44	e3	8c	26	6b	23	27	fc	8f	8e	34
d9	84	f8	e8	dc	09	61	29	01	be	ec	42	cf	87	42	37
d9	1d	bc	d6	c0	08	02	c1	ed	e2	b2	af	c7	bb	b8	84
ca	ed	39	a1	a5	43	14	3a	e9	02	76	54	15	d2	36	a5
25	73	e2	74	43	0d	ad	6c	b8	de	a9	4f	c6	9c	15	db
e9	5d	d4	b1	c4	40	87	71	84	6d	29	6c	64	0e	43	98
dc	46	a5	85	55	2f	8b	d4	ba	2c	0e	33	5a	ad	3a	d7
8f	32	dd	5e	3a	0d	a8	f2	2b	01	b2	dc	ac	b2	bf	d9
8f	ac	c9	2b	b2	71	b7	ad	3f	30	4d	d8	3e	c7	d9	2f
6c	6e	71	9c	be	8c	8e	37	aa	fe	12	89	5e	ea	d6	93

c5	a9	41	57	f6	d8	72	dc	56	1c	43	39	e1	cc	fa	af
ab	dc	19	a3	ec	7c	5c	00	86	b1	c0	2a	62	0a	00	39
66	b9	0d	2c	91	69	43	25	3d	96	1f	a0	5d	be	ae	2a
ec	84	40	5e	41	c4	e0	b1	51	6f	0a	7d	96	fd	ad	cc
84	47	1a	00	d8	3e	e2	a0	0f	08	71	40	60	28	6a	a9
38	57	c7	36	69	d3	d6	9e	a2	86	5a	b8	5c	9b	e1	63
f8	ae	b4	4c	9a	a4	67	ec	a4	be	de	08	de	e9	d0	64
c9	84	c6	96	c2	58	6d	39	40	b7	2b	25	90	a6	0e	9a
c5	81	03	50	b5	70	fc	4e	b3	39	64	83	cc	9f	bd	b4
e5	89	69	fb	2f	df	26	80	ed	05	b2	be	b4	d9	a2	b3
b6	36	5d	53	63	3d	b6	e8	b3	fe	3f	a3	19	5b	bb	ca
f0	ff	fa	d7	3a	a9	81	e0	29	90	0e	51	c1	24	0d	5a
96	b9	2d	ca	4f	e7	96	ba	3e	07	d1	85	66	24	62	57
c7	4e	14	d1	47	fd	fc	57	0b	de	70	ac	b0	17	c4	00
b2	2d	2f	5f	23	80	5d	ab	d6	02	9d	4a	1f	d9	a3	c6
55	03	c0	97	7d	3d	66	ec	e7	44	41	36	77	e8	ff	04
a7	f8	43	1b	42	d5	6e	e5	7d	15	0d	d0	23	e6	e8	12
7f	1c	37	53	20	64	e6	15	28	1c	f3	ce	3a	b3	0c	a7
59	83	76	3e	5b	10	dc	28	11	61	19	d9	6f	61	fd	1d
f9	7a	8d	d6	f4	c7	80	fd	cd	5d	fc	ad	0a	38	47	e9
25	97	3f	4b	a9	99	b2	13	27	3b	ca	b4	08	10	14	a6
92	4f	e4	b0	15	eb	68	13	77	11	20	82	c5	53	bf	e5
4c	9b	d0	71	19	52	7a	82	3f	d8	0e	a3	d5	c8	db	f8
b0	2f	ae	db	32	05	0c	10	a8	ec	e0	4b	61	92	c0	ea
79	e9	11	03	f4	65	c7	e2	3e	a8	0e	aa	bb	ac	71	e9
c4	e5	f1	d4	59	68	a3	39	3c	22	52	1a	51	03	b8	3c
83	65	b8	44	5a	58	36	ab	bb	82	f6	3b	e5	fc	be	f8
61	d7	4b	e9	a5	dd	88	f6	50	7b	f8	a7	46	21	91	96
25	ea	e3	e0	56	cc	8f	4a	4e	23	08	75	ff	a9	dc	c3
11	4c	0f	33	42	4a	88	21	0e	ef	f7	ef	2e	98	7a	d2
ec	b6	bd	76	cd	06	3b	e8	c3	a0	59	67	42	e5	b4	32
da	16	c7	18	db	02	c3	76	ba	ce	69	e4	32	4a	43	fe
42	1b	8c	d3	a7	d2	1e	74	b0	a3	41	56	09	54	1d	0a
67	05	c0	5e	6f	6e	3c	f2	93	e7	58	06	4d	7b	28	60
c3	06	9b	90	c4	26	7d	e7	54	c9	be	ae	84	8f	26	95
b2	4f	62	9f	e4	b6	fe	a6	96	63	44	5d	0a	ad	ed	a5
e4	e9	9d	36	c1	3c	3c	68	53	df	bf	ce	24	8e	59	8d
9a	72	7b	64	97	5c	05	0c	23	9e	c1	c6	05	4d	21	f5
05	4a	ea	ec	66	9d	d6	08	bd	d8	96	5f	51	ce	3c	65
60	45	d7	7a	93	f9	84	0b	32	80	64	1a	cd	55	28	71
9a	22	25	65	89	2e	35	48	15	d0	59	4b	54	d8	3d	07
2b	a8	bb	f1	b4	74	ec	9c	4c	2c	44	da	1f	75	95	47
00	fc	bd	1d	18	42	ea	bc	d3	b9	ec	08	72	de	af	f9
0a	2a	9c	94	ea	7f	20	2b	b8	36	2d	24	8c	f5	a1	ab
ac	c7	db	bc	7a	7c	c1	c2	e9	22	d9	54	43	5c	a1	e8
b2	f3	1d	be	5a	4e	05	ef	78	40	54	55	72	06	93	93
a7	68	80	26	c2	c1	a5	49	a1	f9	32	ce	0f	1d	cb	f7
a1	35	e0	3b	35	74	4b	03	02	54	3b	f0	74	d4	c7	d3
c8	e9	b7	b4	c1	36	54	ed	20	0e	15	91	85	7c	86	9a
79	8b	39	4c	03	74	aa	f4	15	39	84	1b	81	77	ab	b8
09	3a	bc	40	cb	0c	5d	97	ca	99	d7	f6	02	be	b1	ff

6c	fa	68	e5	3d	72	6d	db	2d	90	07	3b	13	23	f4	3e
6f	1b	97	aa	68	35	f1	8e	64	18	9d	c8	90	61	b3	13
66	61	c2	56	b0	40	37	f6	33	76	47	fe	5b	8b	fd	08
1b	13	8e	2a	9c	5f	74	49	ac	48	32	cb	dc	64	2a	d9
09	d2	7f	73	b2	23	03	b0	89	f0	e7	19	7b	2a	9b	37
ff	78	0e	83	43	b0	fb	0b	35	73	1d	a3	85	53	92	9e
bf	71	b3	2c	0e	e9	74	ee	d4	7c	92	41	f4	ce	06	bc
2d	6f	13	f0	cf	26	b1	f9	1e	30	b2	ea	45	d0	ee	dd
67	d3	66	4b	6a	15	69	28	56	ba	d7	2e	8f	bf	3b	33
72	54	a9	ac	49	52	f9	5e	10	16	28	23	e6	02	74	14
45	4b	b4	68	f9	95	62	29	f2	87	a4	05	ff	28	99	b6
96	fe	da	8e	a4	c6	5e	40	d6	a6	d5	d2	97	54	f7	85
42	75	92	ca	20	c1	89	2c	a3	9a	31	6a	7f	39	33	94
f2	88	08	b0	f6	02	85	d4	95	03	ca	f9	f9	4a	24	c8
a8	34	9e	65	e4	db	71	b9	c7	12	28	d3	15	80	14	10
e3	d1	0c	ca	66	d6	77	e2	55	60	65	2a	5d	d7	de	8e
47	e2	b9	94	87	3b	a2	3a	3d	3c	cc	e9	04	d0	26	e0
3a	39	74	10	f6	8b	9d	36	40	99	3a	8d	6a	a0	70	d9
05	95	91	a4	af	46	a1	76	7b	f7	88	70	53	0d	0e	db
fd	21	92	2c	d5	c1	e1	54	dd	ef	46	fc	40	3c	04	87
3f	ea	2f	bb	02	b9	72	b7	b3	d1	ac	ab	8f	db	eb	db
93	8d	2c	74	6d	5f	9e	d7	bc	9a	d6	b5	b6	ec	82	59
09	78	e0	13	6e	54	c8	50	66	54	77	37	f2	28	67	e9
a2	5b	52	70	83	aa	9e	5e	2d	59	0b	3a	59	85	08	3c
7e	3e	b7	99	1a	e0	b2	aa	42	3d	a8	48	66	00	ca	33
14	ca	92	b0	de	8a	e7	f1	18	45	39	93	3b	95	46	1a
c9	1a	58	98	02	77	1a	21	3e	74	d6	0a	8e	28	c0	af
26	18	8e	6c	33	78	01	e9	ca	80	2d	b9	fe	87	af	62
4a	ec	96	dc	87	36	81	bb	24	49	1e	fc	ee	6a	e3	85
71	32	c3	4e	f8	48	24	1a	4f	2b	7a	b2	67	6f	13	f8
75	6f	13	9c	6d	49	dc	6a	e2	b8	ad	3f	1e	1f	6b	2e
c1	92	0a	ca	5b	a4	9f	d8	2d	71	57	b4	26	a5	f6	28
e6	9e	4b	5a	e5	13	4e	b6	80	83	11	34	7f	8b	f5	2c
31	e6	ec	ec	58	c4	7b	7c	92	4d	7c	26	58	03	92	aa
ae	c0	47	0c	ec	77	c9	c7	7b	3f	05	41	42	07	12	71
c9	52	32	77	a5	04	60	c2	22	c1	68	c9	cf	5d	8d	81
0f	b7	8d	1a	f6	41	22	7b	4f	c0	f4	0c	37	cf	da	f5
8c	4d	8a	bf	e3	e4	f8	13	1e	da	eb	3f	cd	66	fd	0d
3d	a6	35	f4	cc	e7	a4	07	10	af	49	19	08	b4	d7	7d
c5	23	07	34	b0	8b	32	f0	e5	c7	ed	f6	99	0c	a1	c0
a4	34	ea	04	b4	5b	09	8c	10	52	9f	f1	ae	36	34	8d
2f	a9	f6	8c	9c	f3	c2	4f	02	39	a7	d6	a2	26	28	d9
bb	2c	6f	74	d8	5f	80	07	fa	d2	9d	33	6d	e0	85	1f
cc	19	0c	41	e9	69	38	17	09	e8	41	2a	90	cf	9e	aa
4a	38	05	a9	dc	d0	19	3b	2c	26	de	c9	05	94	44	fd
33	8d	a3	78	3f	81	24	16	11	ff	b2	08	c2	a3	77	15
4c	11	fe	6d	a0	d2	c5	33	83	95	11	59	d1	77	34	9f
b7	94	a3	a8	aa	29	fc	b2	8f	02	b5	7a	57	86	d7	d8
42	3d	89	72	c3	56	07	df	38	b6	d7	78	7d	7c	dc	59
fb	9e	f6	c1	41	12	fc	f6	10	ae	21	cb	de	42	6d	7e
e5	dc	30	7a	8a	af	ba	00	8f	7b	51	9d	ef	7a	eb	7a

53	85	2e	c1	dd	f3	eb	1f	f6	50	d8	ac	98	04	d4	9f
fe	b0	99	2a	e1	ac	2b	ce	67	e9	7f	c5	24	01	67	d9
42	36	31	e7	c4	22	f8	18	05	9f	08	91	48	fd	65	4a
f7	1b	c7	a2	bd	93	b0	dd	64	11	a6	7a	5d	a1	5a	71
34	05	69	07	5e	29	1f	40	94	71	1f	bd	c8	e5	08	8c
1a	18	00	4d	d3	a1	bf	f1	bc	9c	99	42	ea	4d	38	5d
3d	0f	8e	9f	73	99	e3	bd	c8	49	1e	6c	11	a3	f2	d9
7f	13	ac	b6	ee	7f	19	88	4e	ad	62	c4	8c	43	d8	88
fa	d1	28	bb	1b	ce	39	31	ce	0c	09	9e	98	f4	fd	a4
e5	51	25	ed	b9	a2	7f	7c	2e	5b	cf	1b	67	f5	35	63
45	69	77	54	b4	3b	d7	fa	3d	1b	6d	79	3b	77	7b	4b
06	93	dd	49	ea	b0	b7	cd	0d	b7	e7	57	1d	40	32	d7
d9	2c	db	b5	9f	2f	a5	15	51	82	be	77	da	a2	e0	cd
23	f3	10	9f	8b	65	5e	8b	bf	cb	26	d0	b8	0b	21	a1
bc	40	ac	0f	74	ff	0b	a0	88	90	c9	0b	16	1e	a6	b9
d5	15	41	4c	bd	b4	9d	e0	bb	ac	00	27	b5	bc	b5	fb
3d	c2	72	af	1b	d0	53	4b	c0	e6	c4	e8	70	8e	62	2d
94	b1	a7	3c	f8	8b	a0	dd	ea	93	01	31	7c	bf	11	0e
b3	6b	ab	af	27	4b	b7	09	24	94	76	cd	ef	1b	38	3a
84	91	f2	10	61	dc	66	ee	84	2d	bb	c8	85	87	db	42
ad	89	82	e2	a9	fe	27	06	fd	99	f3	ff	a7	e0	57	80
2c	c7	41	54	e7	69	27	2c	ba	84	94	99	b3	52	fd	47
1f	76	9c	f0	7c	da	aa	b2	8d	75	bc	28	17	a2	b3	ab
0a	bd	b1	60	aa	52	24	17	33	fc	b8	f5	64	7f	f4	e8
cc	42	1b	fc	f3	6a	f7	fa	c5	62	36	61	4a	44	1f	3c
34	cc	3b	34	68	f8	38	00	c2	12	ca	78	2d	ab	68	e6
33	d1	b2	7e	d0	c6	bf	c5	a3	a6	fa	46	cb	d2	83	b1
d6	70	e9	23	e4	90	f3	67	b5	af	45	5a	58	e9	e5	5f
d2	e0	be	fd	93	67	ce	e8	32	48	4e	d1	14	97	d7	42
fa	30	32	4c	89	02	78	0a	63	de	f7	75	24	4e	33	97
ba	19	6b	fa	07	9d	24	a6	f7	54	d3	50	dd	af	b2	29
13	b9	e7	4a	6c	38	0b	87	8b	c7	39	da	e8	37	8d	89
67	35	31	d9	e0	05	ea	10	af	cd	f8	e7	d8	76	0c	cb
45	be	fe	c0	24	1b	fc	78	c5	4c	b3	4b	68	35	2c	57
19	e8	27	e0	ae	67	22	ae	9c	e0	4c	9b	fb	65	ac	ff
ba	76	85	92	93	93	77	cb	51	99	a5	1b	b4	75	c8	ed
db	39	f3	b8	9d	67	79	97	a7	1a	e2	8c	4b	7d	b1	a1
d3	8c	47	e2	6a	b8	c0	55	34	12	2e	02	0f	a5	ae	ca
b8	d2	f9	49	b2	d6	24	16	37	eb	37	67	b3	54	48	0e
a7	be	42	d5	46	ec	ed	cd	9f	f1	9c	fa	d6	48	8b	05
99	87	c0	e3	5e	63	1d	ae	99	b7	d2	3f	5b	46	2d	df
a5	0b	b5	7e	80	8f	ca	b4	4f	b1	42	41	e1	2a	16	46
c2	40	86	d0	0a	ac	fd	82	e7	6a	fe	df	db	fd	60	21
7c	94	51	ad	9b	47	e6	79	8b	23	6d	9f	3b	71	fe	d0
2f	00	ee	53	24	1d	3a	9e	e4	85	40	18	5d	13	a5	d4
d9	d5	32	74	e8	5e	46	ac	38	6c	de	11	49	15	69	c8
2b	48	1a	0c	26	68	05	bc	58	7f	d5	81	4d	0c	f8	cf
c0	a8	f2	f8	cb	c6	2f	84	16	cd	ab	76	5b	e0	32	84
29	0c	35	0a	eb	67	3c	9d	d7	09	e0	ee	2a	e1	5c	fd
de	66	0d	0f	98	68	bf	26	95	27	f4	9c	4a	13	a6	dd
d9	02	1f	78	2b	53	de	32	1f	58	4e	ce	d8	a1	c6	a5

ac	b6	7c	d5	b8	45	f3	50	65	dd	fe	6a	ae	b8	12	33
2d	08	c9	63	56	8f	6a	8b	92	15	78	a7	f8	6e	ca	6b
1a	0e	a1	6c	86	db	4b	e6	9f	c0	bd	c8	b6	36	38	1b
e0	aa	5e	9d	ff	c4	48	92	aa	17	26	fb	cc	be	e0	c6
c2	97	f4	c5	3d	bf	d8	d0	f2	8b	76	e6	25	03	8a	60
a3	8a	57	2f	da	b9	7b	af	78	df	9f	0c	f9	dc	1d	86
46	db	38	18	ad	f3	9e	02	71	d7	70	9d	88	50	a9	11
de	08	37	df	a3	cb	b2	c4	7b	88	29	66	7f	ad	21	41
a7	bf	22	93	ff	a0	0f	c5	ec	e3	83	b9	d6	36	28	5b
54	9e	7d	03	1c	b8	5a	d5	19	ce	e8	f6	ad	77	ae	78
d5	e8	77	de	f4	79	60	e1	89	64	89	74	6e	b8	ef	57
fa	8a	de	31	c2	62	24	0c	33	35	81	1a	61	85	cb	0e
f0	35	2e	c2	ad	ed	a0	1c	cf	89	e0	6b	51	39	08	b6
5e	3b	81	ac	65	c4	82	48	94	cb	4a	52	7a	fd	99	b0
29	24	bc	84	fd	65	43	33	57	43	d6	f0	b3	50	1f	be
39	62	82	0b	55	86	81	32	52	6b	84	72	76	3c	41	7c
22	58	dc	43	7a	70	17	89	29	52	69	c4	00	a7	48	85
8f	2f	c1	31	24	ed	10	71	c3	cc	86	ec	24	aa	15	79
bc	32	36	16	9d	ab	97	7a	48	f0	b0	47	10	b5	05	d9
06	25	a4	7c	85	27	43	d7	27	7c	21	e1	0c	52	2f	32
91	af	8d	a0	cb	3b	ec	90	64	ed	51	2d	ca	1f	fa	84
48	ce	62	bb	cc	22	bf	60	e5	e0	92	89	09	70	d8	b9
92	67	5f	d9	aa	98	57	3b	00	f1	59	e0	ce	65	c0	58
39	0c	27	67	c3	15	9c	c5	51	8b	e4	e5	e8	32	35	f0
7d	ec	f8	fe	cc	b7	d7	48	53	f3	04	2c	bc	59	2a	fe
f8	64	24	43	41	2b	3f	63	40	71	4a	67	52	ac	d5	3f
22	10	70	31	c3	5c	62	6c	d2	4c	f2	b1	db	57	78	1f
da	59	87	8a	d3	73	84	45	d3	b8	0b	3a	0d	18	e7	b1
76	d2	a8	f8	0a	c3	7e	bb	f9	6b	11	9e	82	7c	b5	6c
8b	ef	2c	5f	8f	3c	bc	b4	19	35	d1	93	43	0a	73	79
4e	ad	b9	af	65	2b	c3	9a	9c	bb	5e	a5	89	29	61	a5
08	4a	9a	57	52	55	b6	d8	31	b5	a2	31	c3	9c	00	84
23	d4	f3	7d	2d	1e	fc	b5	4f	d4	04	2f	69	da	be	4c
18	35	53	6b	5f	74	24	24	36	16	94	08	4d	d8	f3	98
99	ab	3e	c6	1b	a1	0b	bb	1f	2f	ee	06	f0	47	f1	e1
43	20	c8	aa	e4	79	53	4e	35	e9	cf	81	61	29	d7	e6
92	ac	4c	66	7e	6b	7a	3c	ff	98	8c	0f	d6	08	95	61
c7	91	8a	c6	61	70	56	f3	03	b9	66	4e	ce	56	20	2b
b3	8c	77	8c	80	a0	ae	bf	2c	a7	62	c9	9b	af	d0	37
d2	62	00	a9	39	b4	dd	70	c8	2e	16	10	fa	c4	61	c5
e6	6b	3a	9e	65	78	c6	f4	4e	5e	f8	4d	d8	67	ac	ed
8b	01	47	f1	95	91	9c	8b	28	4a	7f	78	d1	a9	7f	24
5f	0b	ef	50	d3	db	5d	6c	a2	d3	77	c2	b6	d7	06	15
9a	1e	f3	8e	a2	9d	e7	7c	7e	3c	23	11	6e	c0	c8	67
0d	d2	cf	9e	74	5c	cc	47	80	75	f5	6b	99	c6	82	b2
39	63	90	15	06	ad	0b	99	23	32	50	bf	64	13	0f	0f
27	f0	03	8e	9f	82	c7	36	8f	55	a6	e5	0f	d4	69	f1
c6	56	ad	ef	55	a3	6e	5c	2d	63	71	26	15	ac	1a	a0
99	bc	89	c1	08	f6	ea	6d	41	b0	c9	c9	59	63	6b	bb
86	11	18	16	e6	77	61	53	3d	56	d2	18	34	d0	a0	ab
b5	23	3c	0b	ee	aa	4a	71	0e	c2	17	e8	d4	f3	a8	6e

d3	38	0a	a0	38	a4	7a	3f	cb	a1	9b	1e	b6	51	8c	a4
ed	c5	67	fa	ce	95	19	5e	ab	9d	bc	c7	50	5c	40	72
c0	71	27	6f	78	62	a2	3d	82	46	21	bc	98	c2	92	f5
f8	3a	b6	5c	6c	41	c4	f3	15	30	01	e5	f4	6c	fe	6e
1b	b6	8b	e4	fc	af	ff	9f	e4	33	73	8f	f5	30	81	99
b0	d6	11	fc	12	6c	7a	fb	3e	a7	8d	75	60	89	17	55
e3	2b	4f	f5	eb	ff	56	32	6b	59	cf	b0	c5	31	22	4c
1c	27	93	ac	41	f6	ed	3a	5f	d3	4c	4e	39	94	2b	30
ec	81	1d	eb	10	63	8d	71	a4	1e	c2	05	c2	9e	82	38
87	b4	39	7c	d7	10	c7	6a	19	f3	45	ae	91	40	a2	5d
14	c5	45	ef	7c	e5	0c	d7	c1	d7	63	c7	e1	8e	ed	77
66	11	79	01	41	1b	27	61	f5	2d	52	52	c2	43	83	15
46	55	e2	b1	ba	76	e5	a1	1f	77	f9	8c	7f	26	93	cb
bf	ba	db	2f	f2	10	3f	9f	1c	ac	fa	19	68	d7	8b	55
59	fd	02	57	b2	ea	f4	90	62	b9	72	a6	f7	d7	64	4d
24	ff	71	1e	3a	2b	89	a5	84	c0	a0	0b	d7	9b	19	07
9e	aa	10	05	4b	65	8c	c2	80	14	18	e2	97	e9	a1	e3
e6	21	c7	c1	6d	dc	42	ae	71	2f	7e	97	cc	f6	2b	73
7b	d0	df	53	c7	79	73	24	6c	9d	a8	bd	f5	96	87	ca
eb	82	3f	b1	ea	94	f3	28	0b	c4	9d	48	a6	71	51	73
28	52	c6	f3	39	22	12	c6	31	01	65	b6	b6	d5	d3	b5
19	ab	c5	f2	57	61	90	1b	b7	15	94	86	2e	e2	b5	15
c4	38	ed	51	d6	bf	30	cb	57	1f	8f	95	31	77	7c	86
13	f2	5f	e5	f5	89	0a	68	f2	c5	25	65	75	01	46	bf
90	f2	9e	76	12	6a	7e	3b	de	e7	41	12	ee	6e	7b	ef
b2	43	e6	4a	3f	d9	d0	07	ae	0d	f7	b6	c2	42	37	bd
3d	df	a4	d2	7c	60	06	29	cb	2b	ff	bf	f2	b2	77	77
02	cd	ac	e9	da	60	7f	24	2d	13	8d	17	d2	e0	0b	a6
94	3f	62	ab	90	67	84	a1	44	fd	fb	77	b1	94	c8	88
74	d3	30	f9	c7	53	7a	67	fa	59	24	ca	a5	ce	13	4c
f3	ba	9f	2b	3e	84	43	bb	96	b2	72	18	59	22	59	d4
96	fb	85	8a	cc	a5	ea	17	e1	db	38	97	ec	3b	3f	2e
41	07	66	9f	c8	c1	6d	a6	12	6e	30	f9	d5	af	60	30
9e	46	78	4d	8d	63	2f	27	19	67	18	22	53	5a	c4	45
7f	e5	49	fa	d1	4c	c7	86	3e	5b	24	61	ef	ea	11	6b
9c	51	3c	42	40	07	a0	81	9f	47	47	16	b6	47	dc	f3
f4	a0	38	cb	8c	20	ed	1b	46	84	0c	33	87	98	5d	15
4f	2e	7c	30	6f	db	6c	c4	8a	e0	cb	3c	e0	dd	1a	67
6e	ee	c0	17	9e	89	b0	0f	5c	dd	f6	ea	fa	da	9f	9f
c5	28	26	d4	cd	98	45	83	53	e8	c9	fb	59	55	e5	2b
47	31	e2	72	10	c2	d8	59	5d	3d	81	86	4f	5e	1d	9c
ef	5f	dc	b2	38	77	11	d7	56	54	b2	99	d6	1c	c6	a6
fb	50	eb	fe	6b	29	7f	bf	49	f4	29	32	d3	6c	e7	45
46	43	4d	47	92	3f	d7	e8	f6	35	0d	5a	41	7a	25	be
c8	65	79	c9	98	e3	09	8e	ce	eb	81	8a	9c	20	02	c5
df	98	28	12	cf	d5	a8	96	ac	62	3e	94	d0	3c	a4	8a
84	ac	41	9f	a9	1c	b2	31	6d	02	a2	9c	9d	f5	19	c1
e6	22	a5	ea	00	e9	4f	d7	cc	b9	3e	5e	88	0e	8f	45
21	67	df	4c	11	ab	23	ce	e1	f0	b9	d4	f3	67	45	e9
04	25	71	e5	b2	2e	33	5d	19	32	1f	54	43	e8	90	1f
85	ea	2f	93	32	b8	bc	f0	e2	0a	9e	56	20	65	ca	11

37	80	76	0e	45	d0	21	a3	a4	50	62	46	a3	94	a9	f1
c9	23	23	92	5e	80	b6	82	3a	ec	6b	4c	73	43	8a	ba
d4	ac	3e	26	e4	69	4e	6f	b5	5e	a5	0d	15	89	66	0c
e5	22	30	94	4f	cd	5e	29	4d	ed	c8	03	a1	64	ed	ae
7b	4a	ba	ea	1b	1e	77	04	ee	c3	0a	6d	05	e3	f2	1d
b7	9a	05	26	c8	17	8c	1e	b8	76	8b	bd	c3	34	01	ea
07	c3	f8	c0	e8	77	da	07	f1	1e	d1	0c	76	7d	76	f8
b5	ec	c4	a6	05	b4	8e	3d	f1	2d	eb	7e	b7	89	d0	0e
08	7f	5f	48	a0	37	aa	51	b2	8f	2f	fe	0b	b6	f8	c7
0a	56	9d	10	03	ed	9b	8c	bf	8a	32	cf	53	11	aa	47
85	88	7b	a3	8c	b4	dd	dc	f8	f3	b5	f9	81	29	e8	1e
50	78	ba	38	86	1b	b6	5f	38	06	b9	c7	17	61	29	da
2b	2b	10	7f	5b	7f	fc	99	3d	b5	40	a2	52	06	1f	f2
ae	9b	31	3d	87	9d	57	6c	a8	66	cd	8f	d7	b1	ab	31
23	8a	0b	69	22	f2	69	71	6d	39	e4	80	d4	7c	34	b0
fb	fe	ff	a2	04	8e	49	1a	b0	b5	93	d9	e6	82	36	76
c4	03	73	03	7c	ba	9b	26	ad	c6	b3	e8	9a	19	1c	cb
a6	4a	af	ce	3d	16	c2	36	84	ba	b0	e5	6c	3d	7d	35
bd	59	94	ea	53	88	54	50	08	fd	c1	a3	e4	6d	68	57
28	7b	b9	26	e0	33	c2	e9	76	ee	eb	d2	8d	49	00	37
57	e5	a9	bd	d3	c9	c0	78	bc	fb	a8	b4	f1	f1	69	c9
f7	48	2f	d0	f2	de	50	2d	63	66	32	bc	74	41	4c	07
bc	0c	1c	19	2a	e2	47	58	80	93	c3	24	50	d0	4b	42
e2	ec	ca	6e	5a	99	c0	5d	5b	55	bb	e6	ec	c9	fa	d8
f6	49	ab	01	11	cd	42	5b	89	84	a0	c8	3b	76	31	72
bc	ef	89	d1	51	4f	07	cb	4f	7d	5d	13	c1	68	d5	29
6c	a0	96	73	64	c2	ac	29	f1	ac	7b	b6	6f	65	6b	79
73	74	8a	b9	09	25	0a	87	09	3b	95	0d	b8	80	12	9b
43	2f	d4	50	f9	f5	08	92	06	23	cd	38	4a	39	c2	ed
f3	56	1a	34	05	68	1c	3c	e9	ec	e0	ec	3f	d2	47	c4
d4	62	56	0e	1c	af	6a	fe	1e	5a	17	23	81	eb	54	17
33	a9	d0	80	0b	87	19	b3	3e	c6	1d	16	a1	e2	b8	d5
42	98	29	12	a0	c4	f9	15	53	9f	6f	19	1b	ba	3d	40
34	06	1b	c3	6d	e5	39	07	b3	4e	c5	e3	0b	41	86	ec
f7	fc	0f	73	4a	32	e2	2e	0e	08	a5	f6	86	8e	1c	31
e9	13	66	d5	3a	8c	4f	fd	dd	9d	26	32	8a	5a	97	32
b8	3e	87	7c	0f	87	9f	7c	34	bd	70	d2	fd	2e	dc	07
f8	8c	4b	dd	e1	87	cc	51	9d	84	ef	55	4c	44	02	bf
6b	26	6a	5b	a3	66	a5	d7	4e	5b	96	23	84	61	a2	9f
37	b9	3d	5a	91	6c	6d	5e	19	d4	81	15	c8	ed	5b	1b
53	42	03	29	8c	6b	e4	ca	0b	fe	82	71	dd	e9	20	4f
07	c8	78	03	81	5e	29	79	57	33	80	9a	71	0d	cb	3e
1b	10	d9	b4	92	9e	ee	80	04	bf	75	09	64	b0	cb	74
f0	1a	08	6e	83	4f	6b	01	91	ed	cc	0c	d6	47	e4	53
7d	c8	fe	eb	59	b3	ad	8d	c5	fe	93	b6	28	9d	22	01
2d	c6	21	95	b6	3e	0c	cd	78	17	9f	03	a5	16	c6	97
a9	75	09	a9	92	3f	2e	4c	77	7a	5c	aa	d4	87	f6	b7

Table D.10

Table D.11 provides a sample SRM with an empty list of Receiver IDs revoked. This sample SRM is signed using the production cryptographic parameters (Table B.1).

Receiver IDs Revoked	SRM Version	Value (Sequence of hexadecimal bytes)
(none)	0001	91 00 00 01 01 00 01 87 00 00 00 00 8b be 2d 46 05 9f 00 78 7b f2 84 79 7f c4 f5 f6 c4 06 36 a1 20 2e 57 ec 8c a6 5c f0 3a 14 38 f0 b7 e3 68 f8 b3 64 22 55 6b 3e a9 a8 08 24 86 55 3e 20 0a db 0e 5f 4f d5 0f 33 52 01 f3 62 54 40 f3 43 0c fa cd 98 1b a8 b3 77 b7 f8 fa f7 4d 71 fb b5 bf 98 9f 1a 1e 2f f2 ba 80 ad 20 b5 08 ba f6 b5 08 08 cf ba 49 8d a5 73 d5 de 2b ea 07 58 a8 08 05 66 b8 d5 2b 9c 0b 32 f6 5a 61 e4 9b c2 f6 d1 f6 2d 0c 19 06 0e 3e ce 62 97 80 fc 50 56 15 cb e1 c7 23 4b 52 34 c0 9f 85 ea a9 15 8c dd 7c 78 d6 ad 1b b8 28 1f 50 d4 d5 42 29 ec dc b9 a1 f4 26 fa 43 cc cc e7 ea a5 d1 76 4c dd 92 9b 1b 1e 07 89 33 fe d2 35 2e 21 db f0 31 8a 52 c7 1b 81 2e 43 f6 59 e4 ad 9c db 1e 80 4c 8d 3d 9c c8 2d 96 23 2e 7c 14 13 ef 4d 57 a2 64 db 33 f8 a9 10 56 f4 59 87 43 ca fc 54 ea 2b 46 7f 8a 32 86 25 9b 2d 54 c0 f2 ef 8f e7 cc fd 5a b3 3c 4c bc 51 89 4f 41 20 7e f3 2a 90 49 5a ed 3c 8b 3d 9e f7 c1 a8 21 99 cf 20 cc 17 fc c7 b6 5f ce b3 75 b5 27 76 ca 90 99 2f 80 98 9b 19 21 6d 53 7e 1e b9 e6 f3 fd cb 69 0b 10 d6 2a b0 10 5b 43 47 11 a4 60 28 77 1d b4 b2 c8 22 db 74 3e 64 9d a8 d9 aa ea fc a8 a5 a7 d0 06 88 bb d7 35 4d da c0 b2 11 2b fa ed bf 2a 34 ed a4 30 7e fd c5 21 b6

Table D.11

Table D.12 provides a sample SRM with revoked Receiver IDs. This sample SRM is signed using the facsimile cryptographic parameters (Table D.2).

Receiver IDs Revoked	SRM Version	Value (Sequence of hexadecimal bytes)
0x04bdb85b74 , 0xfb4247a48b	0002	91 00 00 02 01 00 01 91 00 80 00 00 04 bd b8 5b 74 fb 42 47 a4 8b 2a 53 45 a0 9e f7 76 d9 c8 f4 c8 92 58 08 dd 71 89 ac 22 79 75 43 c9 d0 4f 9c e2 b8 29 5f be 22 4b 3b d2 4d 09 55 1d 5c bf 21 7d 0e 62 76 c3 bd c7 fc c9 9e 54 3f 94 59 51 4b 8f 85 99 75 c8 bc 1d 84 cc ba e4 36 03 69 d8 01 76 97 db f9 2d 3f b8 66 e5 5e 8b 85 0b ac be 0d dd 06 d4 9d 28 9e 51 62 cd ce 36 23 84 65 0c 74 a3 7b a0 59 b1 84 b7 c1 27 8f 62 ad 1b 16 26 70 9f 08 91 1b 1b 64 90 e8 1e 28 84 f7 53 15 2c 88 87 53 19 53 29 75 9f 4b 95 11 6a 1c 43 6f 11 6a 19 ba ef 3d bd 1f 8b 00 39 9b 7d ab 97 0b 36 26 04 82 7b 60

		0e c5 4f 7e 2b 21 96 dc ed 8e 15 8f 34 86 58 3c 91 75 f4 d1 0a 47 b1 54 18 f1 46 17 28 80 73 d5 98 97 75 ad 61 80 c8 0f 80 aa 98 ce 5f 53 03 fa cc 46 7b 2c 8c 99 5c a1 2b 36 36 39 b0 21 26 1b e7 76 29 02 52 1a 9c e3 97 e9 b7 24 5b de 8e 86 5d 09 1c 87 ba 6c 82 f8 44 c2 c0 8a bf 2d 7d 79 78 11 b4 0a 68 f7 cb de f5 ec d5 b0 9c 57 0b 20 1c 2c d3 36 b3 44 e2 ff d2 27 80 c3 b5 cf 0b c2 d6 9b 49 13 22 56 91 40 73 ee 67 6c 49 67 e7 5f da fd 76 57 75 95 c3 09 3b bb ab eb 1d 01 e3 3f e3 87 89 2a 8b f6 2b 98 2e 19 70 fe ab ba 24 1f 44 5a 42 db b9 9c e0 3d b4 68 b5 0d ae ba 24 51 e1 39 ac 06 9e 57 bd 7c 98 cc 82 52 28 8b cf 09 ca 09
--	--	-------------------------------------------------------------------------------------------------------------------------------------------------------------------------------------------------------------------------------------------------------------------------------------------------------------------------------------------------------------------------------------------------------------------------------------------------------------------------------------------------------------------------------------------------------------------------------------------------------------------------------------------------------------------------------------------------

Table D.12